

[54] **GARDEN SPRINKLER**

[75] Inventors: **Jack L. Lemkin**, Cincinnati; **Eugene A. Zilber**, Columbus, both of Ohio

[73] Assignee: **The O. M. Scott & Sons Company**, Marysville, Ohio

[\*\*] Term: **14 Years**

[21] Appl. No.: **586,285**

[22] Filed: **Mar. 5, 1984**

[52] U.S. Cl. .... **D23/7**

[58] Field of Search ..... **D23/6-9;**  
239/67, 148, 177.1, 177.2, 178, 191-192,  
230-233, 247, 251, 258, 261, 391, 562

[56] **References Cited**

**U.S. PATENT DOCUMENTS**

D. 26,253	11/1896	Esty	.....	D23/6
D. 269,034	5/1983	Wood	.....	D23/6 X
D. 270,178	8/1983	Heck	.....	D23/7
D. 270,274	8/1983	Rau et al.	.....	D23/7
D. 276,174	10/1984	Chow et al.	.....	D23/7
3,543,013	11/1970	Lockwood	.....	239/230
3,815,831	3/1973	Jooste	.....	239/498
3,930,617	1/1976	Dunmire	.....	239/233 X

**OTHER PUBLICATIONS**

Catalogue of Microjet International, Inc., P.O. Box 1125, Dundee, Fla., 33838, pp. MJ-6-1 and MJ-11-2, Dec. 31, 1982.

Agrifim Irrigation Inc., 3081 E. Hamilton, Fresno, Calif., 93721, p. 41, Nov. 15, 1981.

*Primary Examiner*—Wallace R. Burke

*Assistant Examiner*—Brian N. Vinson

*Attorney, Agent, or Firm*—James B. Raden; Harold J. Holt

**CLAIM**

[57] The ornamental design for a garden sprinkler, substantially as shown and described.

**DESCRIPTION**

FIG. 1 is a front elevational view of a garden sprinkler showing our new design;

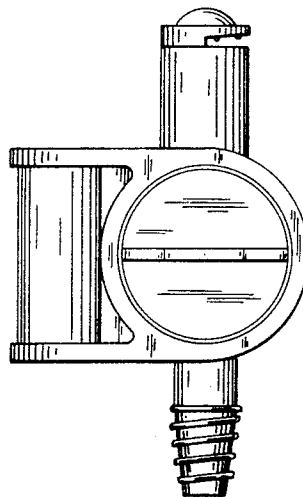
FIG. 2 is an elevational view of one side thereof;

FIG. 3 is an elevational view of the opposite side thereof;

FIG. 4 is a plan view thereof;

FIG. 5 is a bottom view thereof; and

FIG. 6 is a rear elevational view thereof.



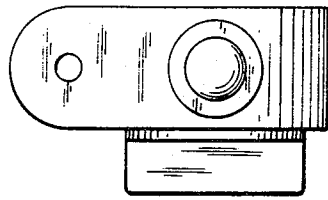


FIG. 4

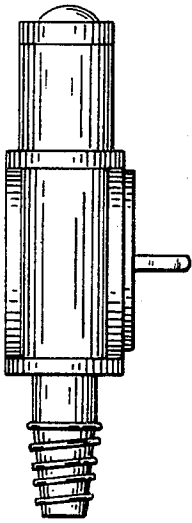


FIG. 2

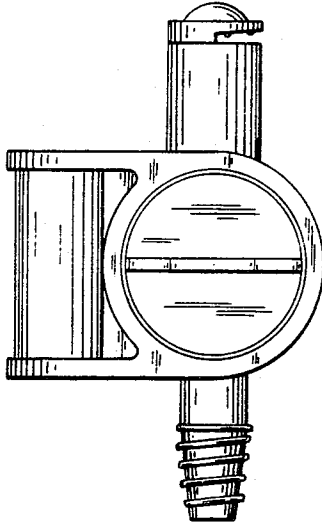


FIG. 1

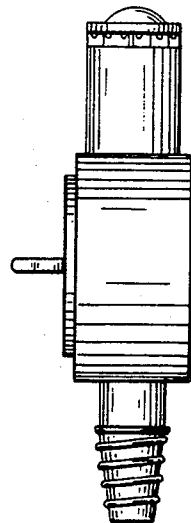


FIG. 3

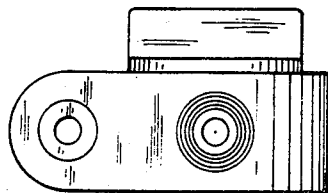


FIG. 5

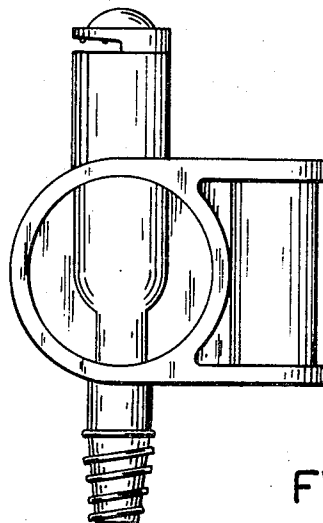


FIG. 6