

(19) World Intellectual Property Organization
International Bureau



(43) International Publication Date
5 March 2009 (05.03.2009)

PCT

(10) International Publication Number
WO 2009/028911 A3

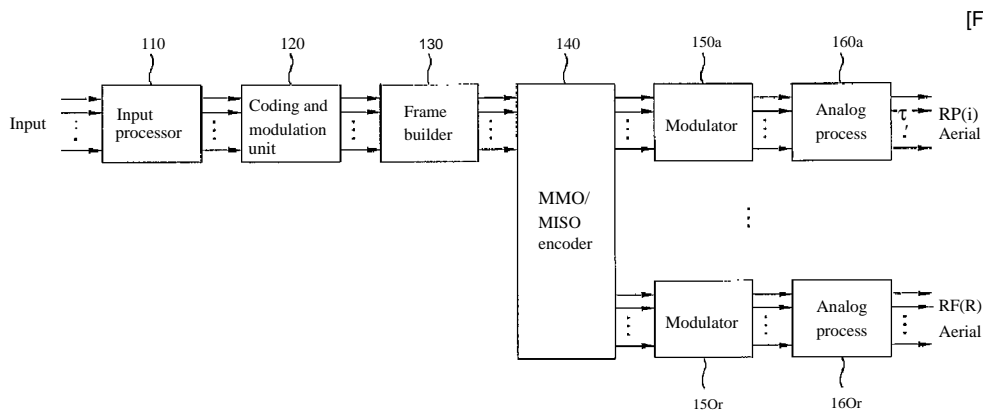
- (51) **International Patent Classification:**
H04L 27/00 (2006.01)
- (21) **International Application Number:**
PCT/KR2008/005103
- (22) **International Filing Date:** 29 August 2008 (29.08.2008)
- (25) **Filing Language:** English
- (26) **Publication Language:** English
- (30) **Priority Data:**
60/969,160 30 August 2007 (30.08.2007) US
60/969,944 4 September 2007 (04.09.2007) US
- (71) **Applicant (for all designated States except US):** **LG ELECTRONICS INC.** [KR/KR]; 20, Yeouido-dong, Yeongdeungpo-gu, Seoul 150-721 (KR).
- (72) **Inventors; and**
- (75) **Inventors/Applicants (for US only):** **KO, Woo Suk** [KR/KR]; Lg Electronics Inc. Ip Group, 16 Woomyeon-Dong, Seocho-Gu, Seoul 137-724 (KR). **MOON, Sang Chul** [KR/KR]; Lg Electronics Inc. Ip Group, 16 Woomyeon-Dong, Seocho-Gu, Seoul 137-724 (KR). **HONG, Ho Taek** [KR/KR]; Lg Electronics Inc. Ip Group, 16 Woomyeon-Dong, Seocho-Gu, Seoul 137-724 (KR).

- (74) **Agents:** **KIM, Yong In** et al.; KBK & Associates, 7th Floor, Hyundai Building, 175-9 Jamsil-dong, Songpa-ku, Seoul 138-861 (KR).
- (81) **Designated States (unless otherwise indicated, for every kind of national protection available):** AE, AG, AL, AM, AO, AT, AU, AZ, BA, BB, BG, BH, BR, BW, BY, BZ, CA, CH, CN, CO, CR, CU, CZ, DE, DK, DM, DO, DZ, EC, EE, EG, ES, FI, GB, GD, GE, GH, GM, GT, HN, HR, HU, ID, IL, IN, IS, JP, KE, KG, KM, KN, KP, KR, KZ, LA, LC, LK, LR, LS, LT, LU, LY, MA, MD, ME, MG, MK, MN, MW, MX, MY, MZ, NA, NG, NI, NO, NZ, OM, PG, PH, PL, PT, RO, RS, RU, SC, SD, SE, SG, SK, SL, SM, ST, SV, SY, TJ, TM, TN, TR, TT, TZ, UA, UG, US, UZ, VC, VN, ZA, ZM, ZW
- (84) **Designated States (unless otherwise indicated, for every kind of regional protection available):** ARIPO (BW, GH, GM, KE, LS, MW, MZ, NA, SD, SL, SZ, TZ, UG, ZM, ZW), Eurasian (AM, AZ, BY, KG, KZ, MD, RU, TJ, TM), European (AT, BE, BG, CH, CY, CZ, DE, DK, EE, ES, FI, FR, GB, GR, HR, HU, IE, IS, IT, LT, LU, LV, MC, MT, NL, NO, PL, PT, RO, SE, SI, SK, TR), OAPI (BF, BJ, CF, CG, CI, CM, GA, GN, GQ, GW, ML, MR, NE, SN, TD, TG).

Published:
— with international search report

[Continued on next page]

(54) **Title:** APPARATUS FOR TRANSMITTING AND RECEIVING A SIGNAL AND METHOD FOR TRANSMITTING AND RECEIVING A SIGNAL



[Fig. 4]



(57) **Abstract:** The present invention relates to a method for transmitting a signal. The method comprises outputting a frame including a service stream; performing an error-correction for the service stream to output error-corrected data; generating network information for a delivery system delivering the service stream and service description information describing the service stream, mapping the error-corrected data to symbols, and generating a signal frame including the symbols, the signal frame having a plurality of time slicing regions in each of a plurality of frequencies; modulating the signal frame by using an orthogonal frequency divisional multiplexing scheme and inserting a guard interval into the modulated signal frame; and transmitting the modulated signal frame via an analog signal, wherein the symbols of the service stream are shifted in direction of time and frequency. The invention also relates to a corresponding method of receiving a signal and to corresponding receiver and transmitter.

WO 2009/028911 A3



— *before the expiration of the time limit for amending the claims and to be republished in the event of receipt of amendments*

(88) Date of publication of the international search report:
30 April 2009

A. CLASSIFICATION OF SUBJECT MATTER		
<i>H04L 27/00(2006.01)i</i>		
According to International Patent Classification (IPC) or to both national classification and IPC		
B. FIELDS SEARCHED		
Minimum documentation searched (classification system followed by classification symbols) IPC H04L 27/00		
Documentation searched other than minimum documentation to the extent that such documents are included in the fields searched Korean Utility Models and applications for Utility Models since 1975 Japanese Utility Models and applications for Utility Models since 1975		
Electronic data base consulted during the international search (name of data base and, where practicable, search terms used) eKIPASS(KIPO internal) & keywords frame, error, correct, map, symbol		
C. DOCUMENTS CONSIDERED TO BE RELEVANT		
Category*	Citation of document, with indication, where appropriate, of the relevant passages	Relevant to claim No
A	US 6985072 B2 (MOHAMMAD JAVAD OMIDI et al) 10 January 2006 See abstract, fig 1	1-12;
A	US 6154456 A (SELIM SHLOMO RAKIB et al) 28 November 2000 See abstract, fig 19	1-12
<input type="checkbox"/> Further documents are listed in the continuation of Box C <input checked="" type="checkbox"/> See patent family annex		
* Special categories of cited documents "A" document defining the general state of the art which is not considered to be of particular relevance "E" earlier application or patent but published on or after the international filing date "L" document which may throw doubts on priority claim(s) or which is cited to establish the publication date of citation or other special reason (as specified) "O" document referring to an oral disclosure, use, exhibition or other means "P" document published prior to the international filing date but later than the priority date claimed "T" later document published after the international filing date or priority date and not in conflict with the application but cited to understand the principle or theory underlying the invention "X" document of particular relevance, the claimed invention cannot be considered novel or cannot be considered to involve an inventive step when the document is taken alone "Y" document of particular relevance, the claimed invention cannot be considered to involve an inventive step when the document is combined with one or more other such documents, such combination being obvious to a person skilled in the art "&" document member of the same patent family		
Date of the actual completion of the international search 16 MARCH 2009 (16 03 2009)		Date of mailing of the international search report 16 MARCH 2009 (16.03.2009)
Name and mailing address of the ISA/KR  Korean Intellectual Property Office Government Complex-Daejeon, 139 Seonsa-ro, Seo-gu, Daejeon 302-701, Republic of Korea Facsimile No 82-42-472-7140		Authorized officer Choi, Jin Ho Telephone No 82-42-48 1-5406 

INTERNATIONAL SEARCH REPORT
 Information on patent family members

International application No
 PCT/KR2008/005103

Patent document cited in search report	Publication date	Patent family member(s)	Publication date
US 6985072 B2	10.01.2006	AU 2002-357286 A 1	15.07.2003
		AU 2002-357286 A8	15.07.2003
		AU 2002-357286 A 1	15.07.2003
		US 2003-01560 12 A 1	21.08.2003
		US 2003-1560 12 A 1	21.08.2003
		US 6985072 B2	10.01.2006
		US 6154456 A	28.11.2000
AU 1996-67 148 B2	19.03.1997		
AU 6714896 A	19.03.1997		
AU 7 11984 B2	28.10.1999		
BR 9610132 A	21.12.1999		
CA 2230294 A 1	06.03.1997		