



US00D693162S

(12) **United States Design Patent**  
**Polidoros**

(10) **Patent No.:** **US D693,162 S**

(45) **Date of Patent:** **\*\* \*Nov. 12, 2013**

(54) **ELEVATION STAND**

D339,002 S 9/1993 Wong  
D413,210 S 8/1999 Haserjian  
D441,574 S \* 5/2001 Voyce, IV ..... D6/488

(71) Applicant: **IHS Global Design Pty. Ltd.**, Rowville (AU)

(Continued)

(72) Inventor: **Nicholas Polidoros**, Mitcham (AU)

**FOREIGN PATENT DOCUMENTS**

(73) Assignee: **IHS Global Design Pty. Ltd.** (AU)

FR 674881 2/1930  
GB 2060886 2/1997  
JP 55013857 1/1989

(\* ) Notice: This patent is subject to a terminal disclaimer.

**OTHER PUBLICATIONS**

(\*\*) Term: **14 Years**

Bloomberry, Rosewood foldable tray table, 1stdibs.com, [http://www.1stdibs.com/furniture\\_item\\_print.php?id=664172](http://www.1stdibs.com/furniture_item_print.php?id=664172), available at least as early as Nov. 2, 2012.

(21) Appl. No.: **29/446,668**

Fornasetti Lacquered Tray Table, 1stdibs.com, [http://www.1stdibs.com/furniture\\_item\\_print.php?id=700614](http://www.1stdibs.com/furniture_item_print.php?id=700614), available at least as early as Nov. 2, 2012.

(22) Filed: **Feb. 26, 2013**

Mark Frisman, Hans Wegner Occasional Table in Teak, 1stdibs.com, [http://www.1stdibs.com/furniture\\_item\\_print.php?id=711797](http://www.1stdibs.com/furniture_item_print.php?id=711797), available at least as early as Nov. 2, 2012.

**Related U.S. Application Data**

(Continued)

(60) Division of application No. 29/424,879, filed on Jun. 16, 2012, which is a continuation of application No. 12/377,096, filed on Feb. 10, 2009, now abandoned.

*Primary Examiner* — Janice Seeger

(30) **Foreign Application Priority Data**

(74) *Attorney, Agent, or Firm* — Saidman DesignLaw Group

Aug. 11, 2006 (AU) ..... 2006203492

(51) **LOC (9) Cl.** ..... **06-06**

(52) **U.S. Cl.**

USPC ..... **D6/708.16**; D6/711

(58) **Field of Classification Search**

USPC ..... D6/480-489, 495-499, 349, 708.16, D6/692.4, 677.5, 680.3, 681, 681.1, 691.6, D6/691.7, 692.5, 711, 711.1; 108/153.1, 108/155, 156, 157.1, 161, 157.16, 157.18; 248/188, 188.1, 188.8, 188.6, 167

See application file for complete search history.

(57) **CLAIM**

The ornamental design for an elevation stand, as shown and described.

**DESCRIPTION**

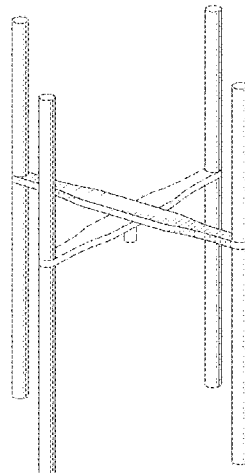
FIG. 1 is a side perspective view of an elevation stand showing my new design;  
FIG. 2 is a top view thereof;  
FIG. 3 is a bottom view thereof;  
FIG. 4 is a side view thereof, taken along line 4-4 of FIG. 2; and,  
FIG. 5 is a side view thereof, taken along line 5-5 of FIG. 2. The broken lines illustrate environmental structure and form no part of the claimed design. The relatively light shade lines on the surface portions indicate contour and not surface decoration.

(56) **References Cited**

**U.S. PATENT DOCUMENTS**

2,010,342 A 8/1935 Woods  
2,190,623 A 2/1940 Benson  
RE30,020 E 6/1979 Spencer et al.

**1 Claim, 4 Drawing Sheets**



(56)

**References Cited**

**OTHER PUBLICATIONS**

U.S. PATENT DOCUMENTS

D455,298	S	*	4/2002	McDaniel et al. ....	D6/480
D461,342	S		8/2002	Spitler	
D558,487	S	*	1/2008	Everson et al. ....	D6/480
D606,337	S		12/2009	Lee	
D662,735	S		7/2012	Polidoros	
2008/0143166	A1		6/2008	de Oliveira	
2010/0147200	A1		6/2010	Polidoros	

Dual, Nest of Occasional Tables Bertha Schaefer for M. Singer & Sons, 1stdibs.com, [http://www.1stdibs.com/furniture\\_item\\_print.php?id=330714](http://www.1stdibs.com/furniture_item_print.php?id=330714), available at least as early as Nov. 2, 2012.  
G4 Décor, Tole Tray with Stand, 1stdibs.com, [http://www.1stdibs.com/furniture\\_item\\_print.php?id=499089](http://www.1stdibs.com/furniture_item_print.php?id=499089), available at least as early as Nov. 2, 2012.

\* cited by examiner

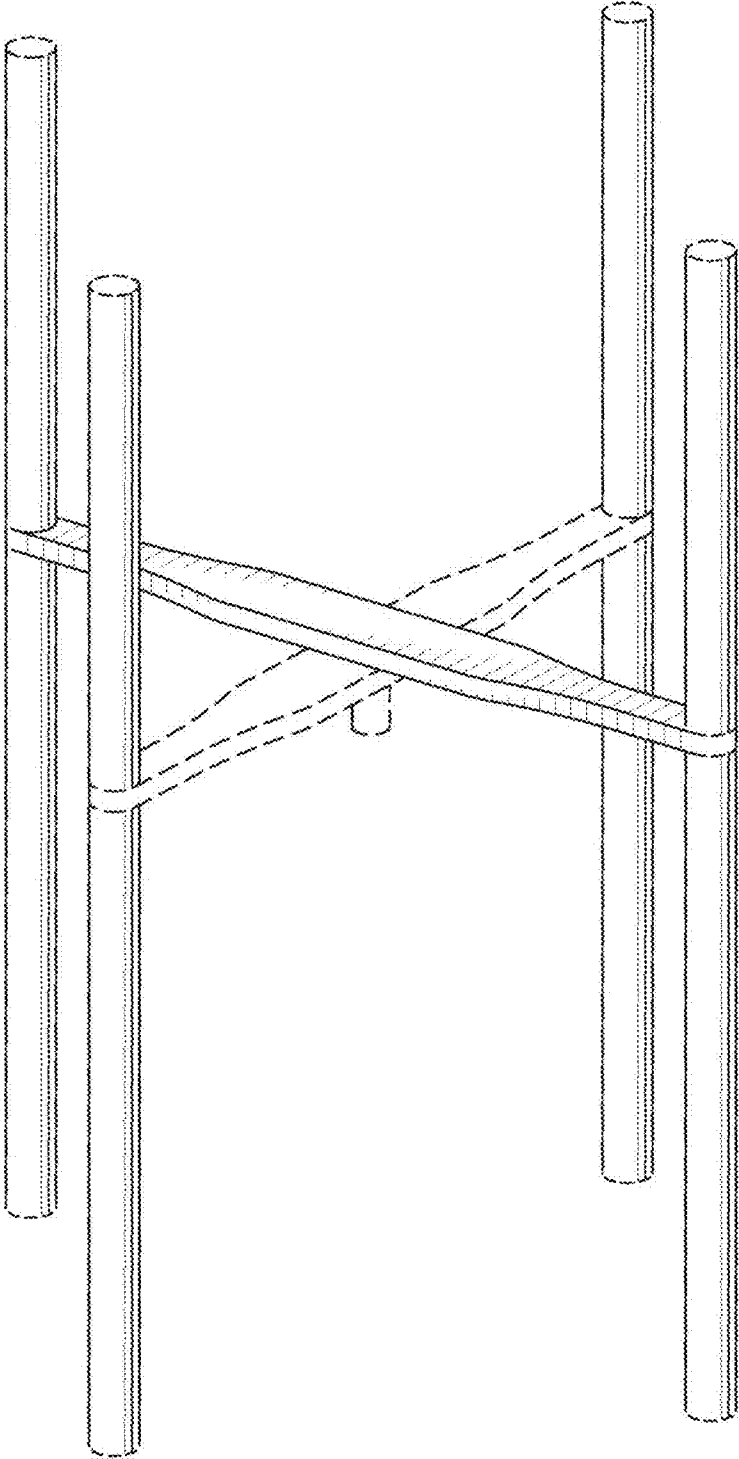


FIG. 1

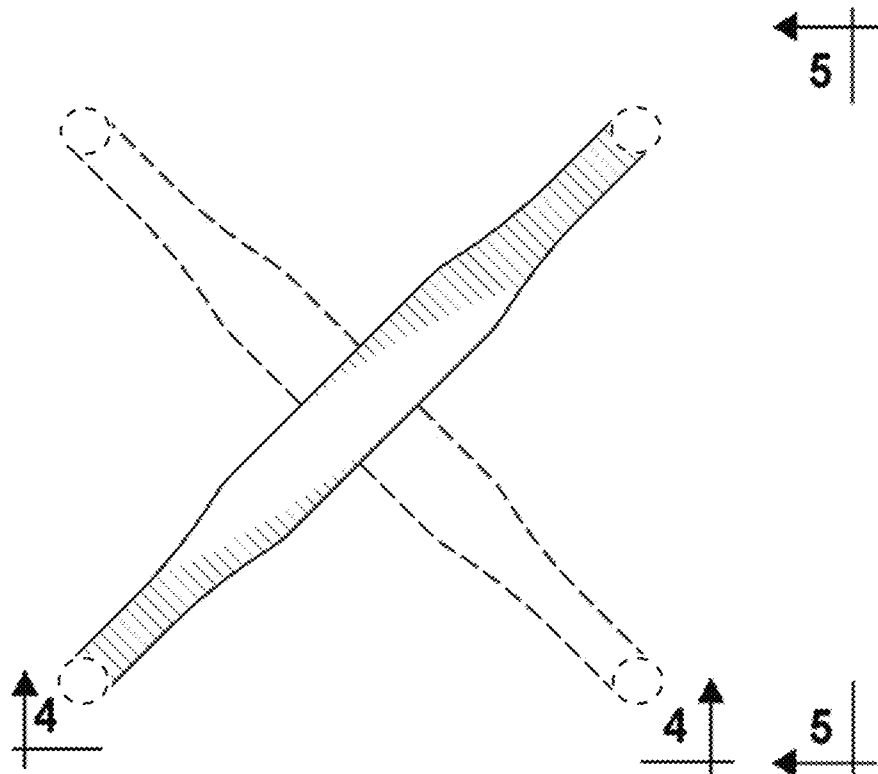


FIG. 2

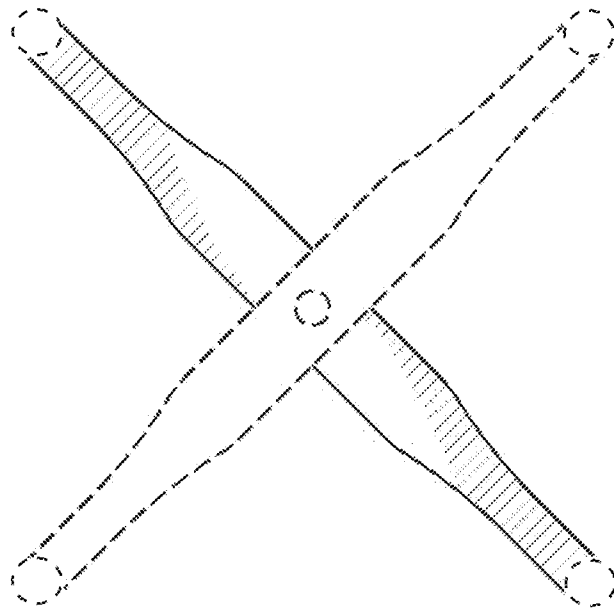


FIG. 3

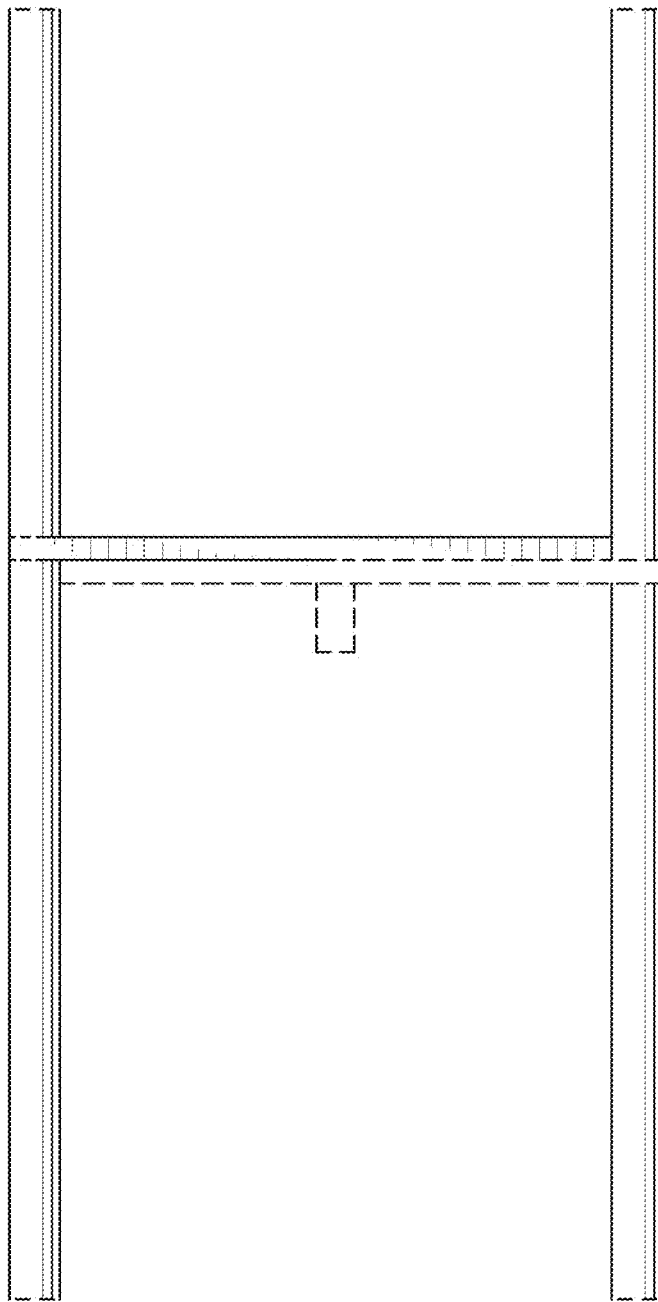


FIG. 4

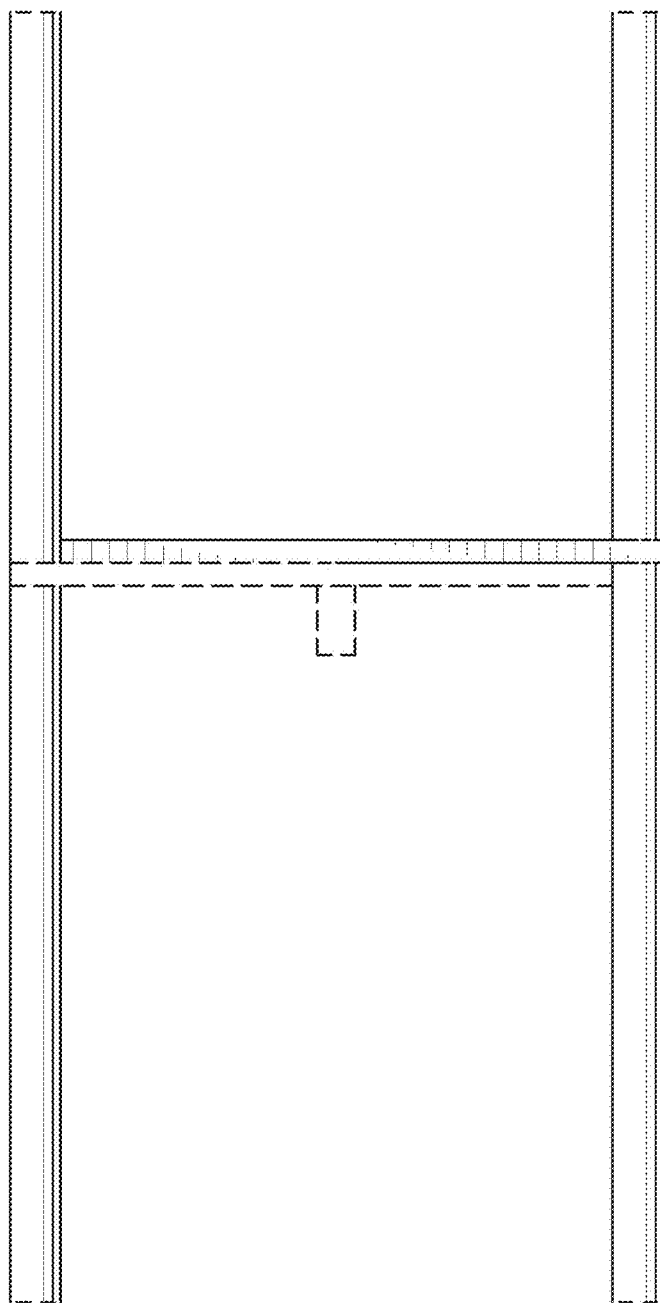


FIG. 5

UNITED STATES PATENT AND TRADEMARK OFFICE  
**CERTIFICATE OF CORRECTION**

PATENT NO. : D693,162 S  
APPLICATION NO. : 29/446668  
DATED : November 12, 2013  
INVENTOR(S) : Nicholas Polidoros

Page 1 of 1

It is certified that error appears in the above-identified patent and that said Letters Patent is hereby corrected as shown below:

Title Page: Item 86

The following priority data was omitted from the Patent:

May 4, 2007                      PCT/AU2007/000589

Title Page: Item 63

The Related U.S. Application Data should appear as follows:

Division of application No. 29/424,879, filed June 16, 2012, which is a continuation of application No. 12/377,096, filed February 10, 2009, now abandoned, which is a 371 of expired international application No. PCT/AU2007/000589 filed May 4, 2007.

Signed and Sealed this  
Twenty-fifth Day of March, 2014



Michelle K. Lee  
*Deputy Director of the United States Patent and Trademark Office*