

(19) World Intellectual Property Organization  
International Bureau



(43) International Publication Date  
23 July 2009 (23.07.2009)

PCT

(10) International Publication Number  
**WO 2009/090472 A3**

(51) International Patent Classification:

*B29C 43/18* (2006.01)      *B29C 51/14* (2006.01)  
*B29C 43/08* (2006.01)      *B29C 43/42* (2006.01)  
*B29C 31/00* (2006.01)

(21) International Application Number:

PCT/IB2008/003500

(22) International Filing Date:

16 December 2008 (16.12.2008)

(25) Filing Language:

Italian

(26) Publication Language:

English

(30) Priority Data:

MO2007A000399 20 December 2007 (20.12.2007) IT

(71) Applicant (for all designated States except US): **SACMI COOPERATIVA MECCANICI IMOLA SOCIETA' COOPERATIVA** [IT/IT]; Via Selice Provinciale 17/A, I-40026 Imola (BO) (IT).

(72) Inventors; and

(75) Inventors/Applicants (for US only): **PUCCI, Fabrizio** [IT/IT]; Via Marconi, 27, I-40023 Castel Guelfo di Bologna (BO) (IT). **PARRINELLO, Fiorenzo** [IT/IT]; Via Zanardi, 122/A, I-40059 Medicina (BO) (IT). **BALBONI, Alessandro** [IT/IT]; Via Budapest, 10, I-40057

Granarolo Dell'emilia (BO)) (IT). **QVARFORD, Mats** [SE/SE]; Uardavägen 8 D, S-224 71 LUND (SE).

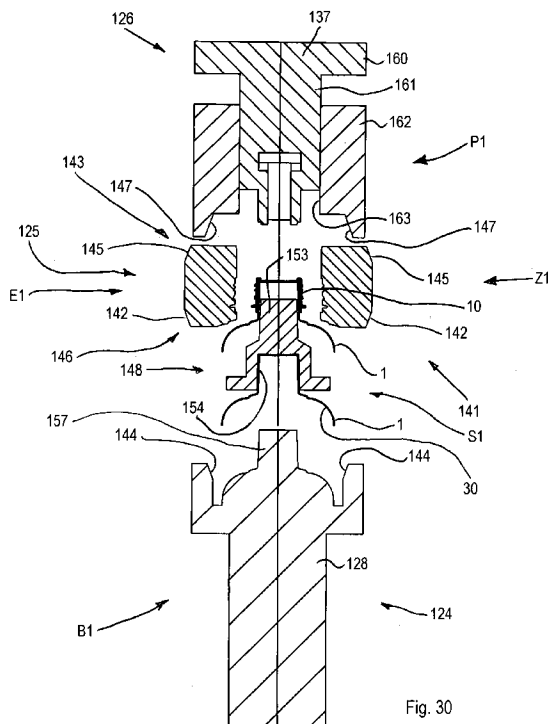
(74) Agent: **CRUGNOLA, Pietro**; Luppi Crugnola & Partners S.R.L., Viale Corassori 54, I-41100 Modena (IT).

(81) Designated States (unless otherwise indicated, for every kind of national protection available): AE, AG, AL, AM, AO, AT, AU, AZ, BA, BB, BG, BH, BR, BW, BY, BZ, CA, CH, CN, CO, CR, CU, CZ, DE, DK, DM, DO, DZ, EC, EE, EG, ES, FI, GB, GD, GE, GH, GM, GT, HN, HR, HU, ID, IL, IN, IS, JP, KE, KG, KM, KN, KP, KR, KZ, LA, LC, LK, LR, LS, LT, LU, LY, MA, MD, ME, MG, MK, MN, MW, MX, MY, MZ, NA, NG, NI, NO, NZ, OM, PG, PH, PL, PT, RO, RS, RU, SC, SD, SE, SG, SK, SL, SM, ST, SV, SY, TJ, TM, TN, TR, TT, TZ, UA, UG, US, UZ, VC, VN, ZA, ZM, ZW.

(84) Designated States (unless otherwise indicated, for every kind of regional protection available): ARIPO (BW, GH, GM, KE, LS, MW, MZ, NA, SD, SL, SZ, TZ, UG, ZM, ZW), Eurasian (AM, AZ, BY, KG, KZ, MD, RU, TJ, TM), European (AT, BE, BG, CH, CY, CZ, DE, DK, EE, ES, FI, FR, GB, GR, HR, HU, IE, IS, IT, LT, LU, LV, MC, MT, NL, NO, PL, PT, RO, SE, SI, SK, TR), OAPI (BF, BJ, CF, CG, CI, CM, GA, GN, GQ, GW, ML, MR, NE, SN, TD, TG).

[Continued on next page]

(54) Title: COMPRESSION MOULDING APPARATUSES AND METHODS



(57) Abstract: An apparatus comprises a first mould part (24; 124) suitable for receiving an object (1), die means (25; 125) arranged for surrounding a zone (5) of said object and a second mould part (26; 26a; 126) cooperating with said die means (25; 125) and with said first mould part (24; 124) so as to compression-mould plastics on said object (1) in said zone (5).



WO 2009/090472 A3



**Declarations under Rule 4.17:**

- *as to applicant's entitlement to apply for and be granted a patent (Rule 4.17(ii))*
- *as to the applicant's entitlement to claim the priority of the earlier application (Rule 4.17(iii))*
- *before the expiration of the time limit for amending the claims and to be republished in the event of receipt of amendments (Rule 48.2(h))*

**(88) Date of publication of the international search report:**  
18 March 2010

**Published:**

- *with international search report (Art. 21(3))*

**INTERNATIONAL SEARCH REPORT**

International application No  
PCT/IB2008/003500

**A. CLASSIFICATION OF SUBJECT MATTER**  
 INV. B29C43/18 B29C43/08 B29C31/00  
 ADD. B29C43/42 B29C51/14

According to International Patent Classification (IPC) or to both national classification and IPC

**B. FIELDS SEARCHED**

Minimum documentation searched (classification system followed by classification symbols)  
B29C

Documentation searched other than minimum documentation to the extent that such documents are included in the fields searched

Electronic data base consulted during the international search (name of data base and, where practical, search terms used)

EPO-Internal, WPI Data

**C. DOCUMENTS CONSIDERED TO BE RELEVANT**

Category*	Citation of document, with indication, where appropriate, of the relevant passages	Relevant to claim No.
X	US 3 313 875 A (KARL MAGERLE) 11 April 1967 (1967-04-11) column 3, line 4 - column 4, line 59; figures	1-98
X	US 4 492 548 A (HUBERT WARREN N [US]) 8 January 1985 (1985-01-08) column 6, line 25 - line 58; figures	1,52
A	US 2004/061256 A1 (BOSSHARDT MICHEL [FR] ET AL) 1 April 2004 (2004-04-01) paragraphs [0066] - [0077]; figures	1,52
A	WO 2006/092239 A (SACMI [IT]; BORGATTI MAURIZIO [IT]; PARRINELLO FIORENZO [IT]) 8 September 2006 (2006-09-08) page 7, line 10 - page 8, line 19; figures	1,9,10
	-/--	

Further documents are listed in the continuation of Box C.

See patent family annex.

\* Special categories of cited documents:

- "A" document defining the general state of the art which is not considered to be of particular relevance
- "E" earlier document but published on or after the international filing date
- "L" document which may throw doubts on priority claim(s) or which is cited to establish the publication date of another citation or other special reason (as specified)
- "O" document referring to an oral disclosure, use, exhibition or other means
- "P" document published prior to the international filing date but later than the priority date claimed

- "T" later document published after the international filing date or priority date and not in conflict with the application but cited to understand the principle or theory underlying the invention
- "X" document of particular relevance; the claimed invention cannot be considered novel or cannot be considered to involve an inventive step when the document is taken alone
- "Y" document of particular relevance; the claimed invention cannot be considered to involve an inventive step when the document is combined with one or more other such documents, such combination being obvious to a person skilled in the art.
- "&" document member of the same patent family

Date of the actual completion of the international search

28 December 2009

Date of mailing of the international search report

28/01/2010

Name and mailing address of the ISA/

European Patent Office, P.B. 5818 Patentlaan 2  
NL - 2280 HV Rijswijk  
Tel. (+31-70) 340-2040,  
Fax: (+31-70) 340-3016

Authorized officer

Topalidis, Anestis

## INTERNATIONAL SEARCH REPORT

International application No

PCT/IB2008/003500

C(Continuation). DOCUMENTS CONSIDERED TO BE RELEVANT

Category*	Citation of document, with indication, where appropriate, of the relevant passages	Relevant to claim No.
A	US 2004/036195 A1 (FILLMORE WILLIAM E [US]) 26 February 2004 (2004-02-26) paragraphs [0032], [0033]; figures -----	1,9,10
X	US 2005/051928 A1 (GRUAU BERTRAND [FR] ET AL) 10 March 2005 (2005-03-10) paragraphs [0052] - [0059]; figures 2a-2d,4 -----	73,85,97
X	US 6 210 621 B1 (USEN NORMAN [US] ET AL) 3 April 2001 (2001-04-03) column 5, line 4 - line 55; figures 4,5 -----	73,85,97
A	US 3 438 086 A (VALYI EMERY I) 15 April 1969 (1969-04-15) column 2, line 28 - column 3, line 18; figures -----	73-98
A	CH 456 128 A (VOUMARD BERTRAND [CH]) 15 May 1968 (1968-05-15) column 2, line 11 - column 3, line 10; figures -----	73,85

# INTERNATIONAL SEARCH REPORT

International application No.  
PCT/IB2008/003500

## Box No. II Observations where certain claims were found unsearchable (Continuation of item 2 of first sheet)

This international search report has not been established in respect of certain claims under Article 17(2)(a) for the following reasons:

1.  Claims Nos.:  
because they relate to subject matter not required to be searched by this Authority, namely:
  
2.  Claims Nos.:  
because they relate to parts of the international application that do not comply with the prescribed requirements to such an extent that no meaningful international search can be carried out, specifically:
  
3.  Claims Nos.:  
because they are dependent claims and are not drafted in accordance with the second and third sentences of Rule 6.4(a).

## Box No. III Observations where unity of invention is lacking (Continuation of item 3 of first sheet)

This International Searching Authority found multiple inventions in this international application, as follows:

see additional sheet

1.  As all required additional search fees were timely paid by the applicant, this international search report covers all searchable claims.
2.  As all searchable claims could be searched without effort justifying an additional fees, this Authority did not invite payment of additional fees.
3.  As only some of the required additional search fees were timely paid by the applicant, this international search report covers only those claims for which fees were paid, specifically claims Nos.:
  
4.  No required additional search fees were timely paid by the applicant. Consequently, this international search report is restricted to the invention first mentioned in the claims; it is covered by claims Nos.:

### Remark on Protest

- The additional search fees were accompanied by the applicant's protest and, where applicable, the payment of a protest fee.
- The additional search fees were accompanied by the applicant's protest but the applicable protest fee was not paid within the time limit specified in the invitation.
- No protest accompanied the payment of additional search fees.

FURTHER INFORMATION CONTINUED FROM PCT/ISA/ 210

This International Searching Authority found multiple (groups of) inventions in this international application, as follows:

1. claims: 1-72

Compression moulding plastics on preformed objects  
---

2. claims: 73-98

Handling preformed objects by compression moulding  
---

## INTERNATIONAL SEARCH REPORT

Information on patent family members

International application No

PCT/IB2008/003500

Patent document cited in search report		Publication date	Patent family member(s)	Publication date
US 3313875	A	11-04-1967	BE 616659 A	
			BE 697278 A	02-10-1967
			CH 415029 A	15-06-1966
			CH 459548 A	15-07-1968
			CH 439703 A	15-07-1967
			DE 1704197 A1	22-04-1971
			DE 1296336 B	29-05-1969
			ES 280071 A1	01-12-1962
			ES 339548 A2	16-07-1968
			FR 92281 E	18-10-1968
			FR 1324471 A	19-04-1963
			GB 971921 A	07-10-1964
			GB 1135863 A	04-12-1968
			SE 304840 B	07-10-1968
			SE 331352 B	21-12-1970
US 4492548	A	08-01-1985	NONE	
US 2004061256	A1	01-04-2004	AR 032854 A1	26-11-2003
			AT 271963 T	15-08-2004
			BR 0207591 A	09-03-2004
			CN 1491154 A	21-04-2004
			CZ 20032303 A3	17-12-2003
			DE 60200836 D1	02-09-2004
			DE 60200836 T2	08-09-2005
			EP 1365903 A1	03-12-2003
			ES 2225760 T3	16-03-2005
			FR 2821288 A1	30-08-2002
			WO 02068171 A1	06-09-2002
			JP 2004520973 T	15-07-2004
			MX PA03006639 A	15-10-2003
			RU 2288096 C2	27-11-2006
WO 2006092239	A	08-09-2006	CN 101128297 A	20-02-2008
			EP 1855860 A1	21-11-2007
			JP 2008531341 T	14-08-2008
			US 2009121388 A1	14-05-2009
US 2004036195	A1	26-02-2004	NONE	
US 2005051928	A1	10-03-2005	AU 2003232291 A1	29-09-2003
			BR 0308514 A	04-01-2005
			CN 1638935 A	13-07-2005
			EP 1485240 A2	15-12-2004
			FR 2837132 A1	19-09-2003
			WO 03078126 A2	25-09-2003
			JP 2005527399 T	15-09-2005
			MX PA04008940 A	26-11-2004
US 6210621	B1	03-04-2001	NONE	
US 3438086	A	15-04-1969	NL 6604301 A	02-10-1967
CH 456128	A	15-05-1968	NONE	