

June 3, 1941.

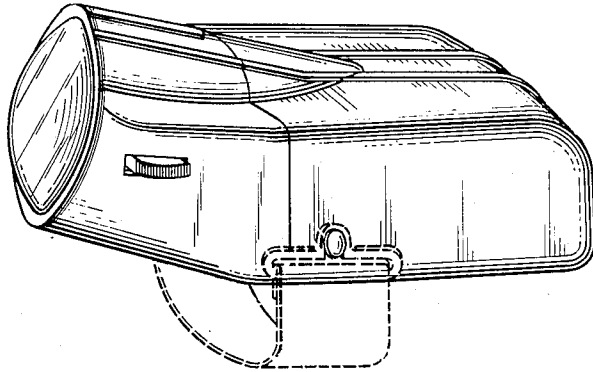
J. L. WYATT

Des. 127,597

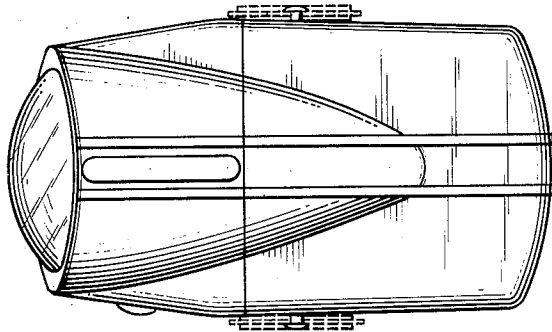
WRIST FLASHLIGHT

Filed Jan. 18, 1941

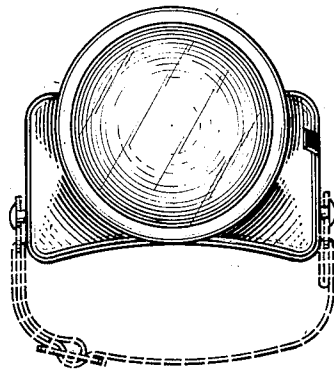
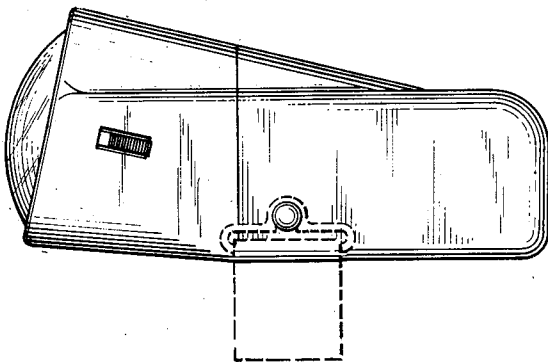
*Fig. 1*



*Fig. 2*



*Fig. 3*



*Inventor:*  
*John L. Wyatt*  
*By: [Signature]*  
*Attorney.*

# UNITED STATES PATENT OFFICE

127,597

## DESIGN FOR A WRIST FLASHLIGHT

John L. Wyatt, Chicago, Ill., assignor to Rist-  
beam Corporation, Chicago, Ill., a corporation  
of Illinois

Application January 18, 1941, Serial No. 98,181

Term of patent 7 years

*To all whom it may concern:*

Be it known that I, John L. Wyatt, a citizen of the United States, residing at Chicago, in the county of Cook and State of Illinois, have invented a new, original, and ornamental Design for a Wrist Flashlight, of which the following is a specification, reference being had to the accompanying drawing, forming a part thereof.

**In the drawing:**

Figure 1 is a perspective view of a wrist flash-

light showing my new design.

Figure 2 is a top plan view.

Figure 3 is a side elevational view.

Figure 4 is a front elevational view.

The dominant features of my design reside in the portions shown in full lines.

I claim:

The ornamental design for a wrist flashlight, substantially as shown and described.

JOHN L. WYATT.