



- (51) International Patent Classification:
G01L 13/02 (2006.01) G01L 9/12 (2006.01)
- (21) International Application Number:
PCT/US2015/053220
- (22) International Filing Date:
30 September 2015 (30.09.2015)
- (25) Filing Language: English
- (26) Publication Language: English
- (30) Priority Data:
14/501,310 30 September 2014 (30.09.2014) US
- (71) Applicant: ROSEMOUNT INC. [US/US]; 6201 Innovation Blvd., Shakopee, Minnesota 55379 (US).
- (72) Inventors: BRODEN, David, Andrew; 3045 166th Lane NW, Andover, Minnesota 55304 (US). WILLCOX, Charles, Ray; 7481 Canyon Curve, Chanhassen, Minnesota 55317 (US). HARASYN, Donald, Edward; 15811 Summit Drive, Eden Prairie, Minnesota 55347 (US).
- (74) Agents: FAIRBAIRN, David, R. et al.; Kinney & Lange, P.A., 312 South Third Street, Minneapolis, Minnesota 55415 (US).

- (81) Designated States (unless otherwise indicated, for every kind of national protection available): AE, AG, AL, AM, AO, AT, AU, AZ, BA, BB, BG, BH, BN, BR, BW, BY, BZ, CA, CH, CL, CN, CO, CR, CU, CZ, DE, DK, DM, DO, DZ, EC, EE, EG, ES, FI, GB, GD, GE, GH, GM, GT, HN, HR, HU, ID, IL, IN, IR, IS, JP, KE, KG, KN, KP, KR, KZ, LA, LC, LK, LR, LS, LU, LY, MA, MD, ME, MG, MK, MN, MW, MX, MY, MZ, NA, NG, NI, NO, NZ, OM, PA, PE, PG, PH, PL, PT, QA, RO, RS, RU, RW, SA, SC, SD, SE, SG, SK, SL, SM, ST, SV, SY, TH, TJ, TM, TN, TR, TT, TZ, UA, UG, US, UZ, VC, VN, ZA, ZM, ZW.
- (84) Designated States (unless otherwise indicated, for every kind of regional protection available): ARIPO (BW, GH, GM, KE, LR, LS, MW, MZ, NA, RW, SD, SL, ST, SZ, TZ, UG, ZM, ZW), Eurasian (AM, AZ, BY, KG, KZ, RU, TJ, TM), European (AL, AT, BE, BG, CH, CY, CZ, DE, DK, EE, ES, FI, FR, GB, GR, HR, HU, IE, IS, IT, LT, LU, LV, MC, MK, MT, NL, NO, PL, PT, RO, RS, SE, SI, SK, SM, TR), OAPI (BF, BJ, CF, CG, CI, CM, GA, GN, GQ, GW, KM, ML, MR, NE, SN, TD, TG).

Published:
— with international search report (Art. 21(3))

(54) Title: DIFFERENTIAL PRESSURE SENSOR WITH HIGH PRESSURE CAPABILITIES

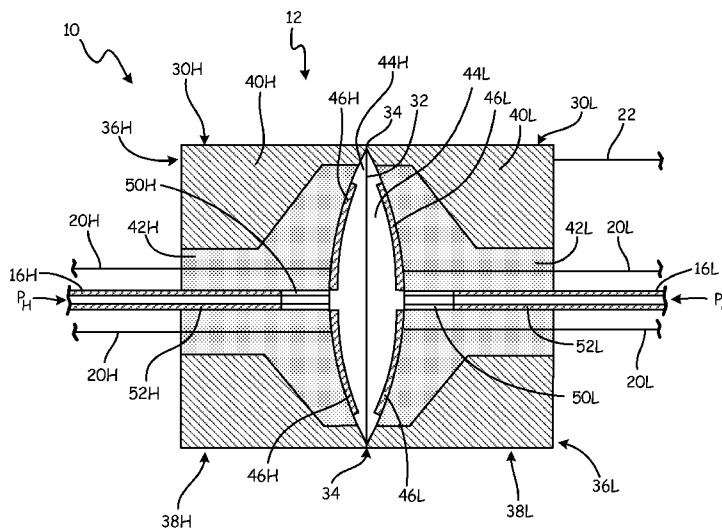


Fig. 2

(57) Abstract: A capacitance-based pressure sensor 12 for measuring a process variable includes a metal sensor body 40H, 40L, a diaphragm 32 disposed within a cavity 44H, 44L of the metal sensor body 40H, 40L to form a deflectable capacitor plate, and an insulator 42H, 42L extending through the metal sensor body 40H, 40L from an end wall 36H, 36L to the cavity. The pressure sensor 12 further includes an isolation tube 16H, 16L in fluid connection with the cavity 44H, 44L, the isolation tube 16H, 16L extending into the insulator 42H, 42L through the end wall 36H, 36L, a stationary capacitor plate 46H, 46L on a surface of the insulator 42H, 42L in the cavity 44H, 44L, the stationary capacitor plate 46H, 46L spaced from the diaphragm 32, and an electrical lead wire 20H, 20L connected to the stationary capacitor plate 46H, 46L and extending through the insulator 42H, 42L parallel to the isolation tube 16H, 16L and exiting the insulator 16H, 16L at the end wall 36H, 36L. A fill fluid is within the isolation tube 16H, 16L and the cavity 44H, 44L to apply pressure to the dia-

phragm 32.

insulator region that extends from the second exterior end wall to the interior cavity and forms a second curved surface of the second interior wall. The pressure sensor includes a deflectable diaphragm connected at an outer periphery between the first and second interior walls, the diaphragm separating the interior cavity into a first cavity and a second
5 cavity, a first electrode on the first curved surface, and a second electrode on the second curved surface. A first electrical lead extends from the first electrode through the first insulator region and out of the first exterior end wall, and a second electrical lead extends from the second electrode through the second insulator region and out of the second exterior end wall.

10 A capacitance-based pressure sensor for measuring a process variable includes a metal sensor body, a diaphragm disposed within a cavity of the metal sensor to form a deflectable capacitor plate, and an insulator extending through the metal sensor body from an end wall to the cavity. The pressure sensor further includes an isolation tube in fluid connection with the cavity, the isolation tube extending into the insulator
15 through the end wall, a stationary capacitor plate on a surface of the insulator in the cavity, the stationary capacitor plate spaced from the diaphragm, and an electrical lead wire connected to the stationary capacitor plate and extending through the insulator parallel to the isolation tube and exiting the insulator at the end wall. A fill fluid is within the isolation tube and the cavity to apply pressure to the diaphragm.

20 BRIEF DESCRIPTION OF THE DRAWINGS

FIG. 1 is a schematic view of one embodiment of a system for measuring a process fluid pressure.

FIG. 2 is a cross-sectional break-away view of one embodiment of a capacitance-based differential pressure sensor in the system seen in FIG. 1.

25 FIG. 3A is an end view of the capacitance-based differential pressure sensor of FIG. 2 illustrating exit points of an isolation tube and electrical lead wires.

FIG. 3B is an end view of the capacitance-based differential pressure sensor of FIG.2 illustrating an alternate embodiment of exit points of the isolation tube and electrical lead wires.

30 DETAILED DESCRIPTION

In general, the present invention is a capacitance-based pressure sensor that uses a fixed capacitor plate and a flexible conductive diaphragm to generate a capacitance for measurement of process fluid differential pressure. A pressure sensor is designed with specific features that allow the pressure sensor to survive in the extreme

and harsh environments that subject the pressure sensors to high line pressures and high temperatures. First, the size of the sensing areas that respond to pressure applied to the pressure sensor can be reduced. This reduces load forces on the pressure sensor, as the force increases with an increase in area. Second, the insulator is shaped so that it exits the pressure sensor only at a first end wall of a first cell half and a second end wall of a second cell half. This reduces the stresses put on the insulator so that the insulator does not crack under high pressure. Insulator cracking under high pressure needs to be avoided as it causes leak paths within the pressure sensor. Third, the pressure sensor is designed so that electrical lead wires exit the cell body parallel to an isolation tube. This allows the pressure sensor to withstand high line pressures and simplifies assembly of the pressure sensor.

FIG. 1 is a schematic view of one embodiment of system 10, which includes capacitance-based differential pressure sensor 12, first isolation diaphragm 14H, second isolation diaphragm 14L, first isolation tube 16H, second isolation tube 16L, transmitter circuitry 18, first plate lead wire 20H, second plate lead wire 20L, and diaphragm lead wire 22. Also shown in FIG. 1 is pressure P_H and pressure P_L of the process fluid that is in contact with isolation diaphragms 14H and 14L, respectively.

In this embodiment, capacitance-based differential pressure sensor 12 is connected to first isolation diaphragm 14H with first isolation tube 16H. First isolation tube 16H has a first end in fluid communication with capacitance-based differential pressure sensor 12 and a second end in communication with first isolation diaphragm 14H. First isolation diaphragm 14H can be deflected in response to pressure P_H applied to first isolation diaphragm 14H via the process fluid. Pressure P_H from the process fluid is transmitted to a first fill fluid in first isolation tube 16H due to the deflection of first isolation diaphragm 14H. Pressure P_H is communicated by the first fill fluid through first isolation tube 16H to capacitance-based differential pressure sensor 12.

Capacitance-based differential pressure sensor 12 is connected to second isolation diaphragm 14L with second isolation tube 16L. Second isolation tube 16L has a first end in fluid communication with capacitance-based differential pressure sensor 12 and a second end in communication with second isolation diaphragm 14L. Second isolation diaphragm 14L is also in contact with the process fluid. Second isolation diaphragm 14L can be deflected in response to pressure P_L applied to second isolation diaphragm 14L via the process fluid. Pressure P_L from the process fluid is transmitted to a second fill fluid in second isolation tube 16L due to the deflection of second isolation

diaphragm 14L. Pressure P_L is communicated by the second fill fluid through second isolation tube 16L to capacitance-based differential pressure sensor 12.

Capacitance-based differential pressure sensor 12 is connected to transmitter circuitry 18 by first plate lead wire 20H, second plate lead wire 20L, and diaphragm lead wire 22. First plate lead wire 20H has a first end connected to capacitance-based pressure sensor 12 and a second end connected to transmitter circuitry 18. Second plate lead wire 20L has a first end connected to capacitance-based pressure sensor 12 and a second end connect to transmitter circuitry 18. Diaphragm lead wire 22 has a first end connected to capacitance-based differential pressure sensor 12 and a second end connected to transmitter circuitry 18.

Capacitance-based differential pressure sensor 12 produces electronic signals in response to a pressure difference between pressure P_H from the process fluid and pressure P_L from the process fluid. First plate lead wire 20H, second plate lead wire 20L, and diaphragm lead wire 22 communicate electrical signals from capacitance based differential pressure sensor 12 to transmitter circuitry 18. Transmitter circuitry 18 uses the electrical signals to generate a differential pressure measurement.

FIG. 2 is a cross-sectional break-away view of one embodiment of capacitance-based differential pressure sensor 12 in system 10. System 10 includes capacitance-based differential pressure sensor 12, first isolation tube 16H, second isolation tube 16L, first plate lead wires 20H, second plate lead wires 20L, and diaphragm lead wire 22. Capacitance-based differential pressure sensor 12 includes first cell half 30H, second cell half 30L, diaphragm 32, joint 34, first end wall 36H, second end wall 36L, sidewall 38H, and sidewall 38L. First cell half 30H includes first metal body half 40H, first insulator 42H, first interior cavity 44H, and first capacitor plate 46H. Second cell half 30L includes second metal body half 40L, second insulator 42L, second interior cavity 44L, and second capacitor plate 46L. First isolation tube 16H further includes first portion 50H and second portion 52H. Second isolation tube 16L further includes first portion 50L and second portion 52L.

First isolation tube 16H and second isolation tube 16L are in fluid communication with capacitance-based pressure sensor 12. First plate lead wires 20H, second plate lead wires 20L, and diaphragm lead wire 22 are in electrical contact with capacitance-based pressure sensor 12. In the embodiment shown in FIGS. 2, 3A, and 3B, system 10 includes five electrical lead wires, including two first plate lead wires 20H, two second plate lead wires 20L, and one diaphragm lead wire 22. In other embodiments,

system 10 includes three electrical lead wires, including one first plate lead wire 20H, one second plate lead wire 20L, and one diaphragm lead wire 22, as is shown in FIG. 1. Other alternative lead wire arrangements are also possible.

Capacitance-based differential pressure sensor 12 includes first cell half 30H and second cell half 30L that are welded together to form a body portion of capacitance-based pressure sensor 12. First cell half 30H and second cell half 30L are cylindrical shaped. Diaphragm 32 is positioned between first cell half 30H and second cell half 30L and welded at joint 34. The weld at joint 34 seals first cell half 30H and second cell half 30L together and holds diaphragm 32 under a tension that enables it to bend when subjected to a pressure difference between pressures P_H and P_L . Diaphragm 32 may also be referred to as a flexible capacitor plate, flexible electrode plate, sensing diaphragm, central diaphragm, or membrane. First end wall 36H forms one end of first cell half 30H. Second end wall 36L forms one end of second cell half 30L. Sidewall 38H and sidewall 38L form outer walls of the cylindrical body portions of first cell half 30H and second cell half 30L, respectively.

First and second cell halves 30H and 30L of capacitance-based differential pressure sensor 12 include first and second metal body halves 40H and 40L, first and second insulators 42H and 42L, first and second interior cavities 44H and 44L, and first and second capacitor plates 46H and 46L, respectively. First and second metal body halves 40H and 40L are annular and surround first and second insulators 42H and 42L, which are fused to first and second metal body halves 40H and 40L, respectively. First and second insulators 42H and 42L are made of glass or ceramic-based material. First and second cell halves 30H and 30L each have a recess on one side that forms first and second interior cavities 44H and 44L, respectively. First and second interior cavities 44H and 44L extend at least across first and second insulators 42H and 42L to form interior walls between first and second insulators 42H and 42L and first and second interior cavities 44H and 44L, respectively. First and second capacitor plates 46H and 46L are positioned in first and second interior cavities 44H and 44L, respectively. First and second capacitor plates 46H and 46L are preferably O-shaped and are connected to the interior walls between first and second insulators 42H and 42L and first and second interior cavities 44H and 44L, respectively. First and second metal body halves 40H and 40L are electrically conductive. Metal body halves make up cell bodies that can withstand higher temperatures and higher pressure environments than weaker non-metal cell bodies.

First and second isolation tubes 16H and 16L and first and second plate lead wires 20H and 20L extend through first and second cell halves 30H and 30L, respectively. First and second isolation tubes 16H and 16L have first ends in fluid communication with first and second interior cavities 44H and 44L and extend through
5 first and second insulators 42H and 42L to exit first and second cell halves 30H and 30L at first and second end walls 36H and 36L, respectively. First and second fill fluids are contained in first and second isolation tubes 16H and 16L and first and second interior cavities 44H and 44L, respectively. First ends of first and second isolation tubes 16H and 16L include first sections 50H and 50L, respectively. First sections 50H and 50L are
10 made of insulating material, such as glass or ceramic-based material. First sections 50H and 50L of first and second isolation tubes 16H and 16L prevent first and second isolation tubes 16H and 16L from contacting the metallic first and second capacitor plates 36H and 36L and disrupting capacitance measurement. First and second isolation tubes 16H and 16L also include second sections 52H and 52L that are made of a metallic material. First
15 and second plate lead wires 20H and 20L each have first ends in contact with first and second capacitor plates 46H and 46L and extend through first and second insulators 42H and 42L in a position parallel to first and second isolation tubes 16H and 16L to exit first and second cell halves 30H and 30L at first and second end walls 36H and 36L, respectively. First and second insulators 42H and 42L prevent first and second isolation
20 tubes 16H and 16L and first and second plate lead wires 20H and 20L from contacting first and second metal body halves 40H and 40L and disrupting capacitance measurement.

Capacitance-based differential pressure sensor 12 produces two capacities C_H and C_L that can be used to generate a differential pressure measurement. The first
25 process fluid pressure is communicated by the first fill fluid through first isolation tube 16H to reach first interior cavity 44H to influence the position of diaphragm 32. The second process fluid pressure is communicated by the second fill fluid through second isolation tube 16L to reach second interior cavity 44L to influence the position of diaphragm 32. Diaphragm 32 is in contact with first metal body half 40H and second
30 metal body half 40L at joint 34. Diaphragm 32 will be deflected depending on the difference in pressure P_H the first fill fluid in cavity 44H and pressure P_L of the second fill fluid in cavity 44L. Capacitance C_H is a function of the distance between diaphragm 32 and fixed first capacitor plate 46H in first interior cavity 44H. Capacitance C_H appears between wires 20H and wire 22. Capacitance C_L is a function of distance between

diaphragm 32 and fixed second capacitor plate 46L. Capacitance C_L appears between wires 20L and wire 22. Wires 20H, 20L, and 22 are connected to transmitter circuitry 18 (FIG. 1), which includes circuitry, such as a sigma delta capacitance-to-digital (C/D) converter, that produces digital data based on capacitances C_H and C_L .

5 First insulator 42H allows for first isolation tube 16H and first plate lead wires 20H to travel through conductive first metal body half 40H of first cell half 30H without interfering with capacitance C_H . Likewise, second insulator 42L allows second isolation tube 16L and second plate lead wires 20L to travel through conductive second metal body half 40L of second cell half 30L without interfering with capacitance C_L .
10 First isolation tube 16H and first plate lead wires 20H travel through first insulator 42H and exit first cell half 30H in parallel. Second isolation tube 16L and second plate lead wires 20L travel through second insulator 42L and exit second cell half 30L in parallel.

The parallel arrangement of isolation tubes 16H and 16L and plate lead wires 20H and 20L within cell halves 30H and 30L makes it possible for metal body halves 40H and 40L to have an annular shape that surrounds insulators 42H and 42L. This allows insulators 42H and 42L to only exit cell halves 30H and 30L at first end wall 36H and second end wall 36L, as insulators 42H and 42L do not extend to sidewalls 38H or 38L of cell halves 30H and 30L. As a result, plate lead wires 20H and 20L are located in the largely compressive stress fields of insulators 42H and 42L and metal body halves
15 40H and 40L extend the entire length of sidewalls 42H and 42L. This allows capacitance-based differential pressure sensor 12 to withstand increased line pressures and higher operating temperatures. Alternatively, under the same line pressure, the diameter of capacitance-based differential pressure sensor 12 may be reduced compared to prior art capacitance-based differential pressure sensors. The parallel configuration
20 also increases the distance between plate lead wires 20H and 20L and weld joint 34, which reduces the possibility of thermal shock during the welding process. Additionally, the arrangement increases the distance between plate lead wires 20H and 20L, reducing stray capacitance.

FIG. 3A is an end view of one embodiment of a capacitance-based
30 differential pressure sensor 12 of FIG. 2 illustrating exit points of first isolation tube 16H and first plate lead wires 20H from first cell half 30H. FIG. 3A includes capacitance-based differential pressure sensor 12, first isolation tube 16H, and first plate lead wires 20H. Capacitance-based differential pressure sensor 12 includes first cell half 30H, including first metal body half 40H and first insulator 42H. In this embodiment,

capacitance-based differential pressure sensor 12 has a second cell half in which a second isolation tube and second plate lead wires exit second cell half through a second insulator in the same configuration, respectively.

5 First metal body half 40H of first cell half 30H is annular and surrounds first insulator 42H, which is fused to first metal body half 40H. First isolation tube 16H and first plate lead wires 20H exit first cell half 30H through first insulator 42H in a parallel configuration. First insulator 42H allows first isolation tube 16H and first plate lead wires 20H to travel through conductive first metal body half 40H of first cell half 30H without interfering with capacitance. In this embodiment, first isolation tube 16H travels and exits through the center of first insulator 42H. First plate lead wires 20H travel and exit through first insulator 42H in positions equidistant from first isolation tube 16H and first metal body half 40H. Additionally, first isolation tube 16H and first plate lead wires 20H are arranged in a triangular pattern in relation to one another.

15 FIG. 3B is an end view of capacitance-based differential pressure sensor 12' of FIG.2 illustrating an alternate embodiment of exit points of first isolation tube 16H' and first plate lead wires 20H' from first cell half 30H'. FIG. 3B includes capacitance-based differential pressure sensor 12', first isolation tube 16H', and first plate lead wires 20H'. Capacitance-based differential pressure sensor includes first cell half 30H', including first metal body half 40H' and first insulator 42H'. In this embodiment, capacitance-based differential pressure sensor 12' has a second cell half, in which a second isolation tube and second plate lead wires exit second cell half through a second insulator in the same configuration, respectively.

25 First metal body half 40H' of first cell half 30H' is annular and surrounds first insulator 42H', which is fused to first metal body half 40H'. First isolation tube 16H' and first plate lead wires 20H' exit first cell half 30H' through first insulator 42H' in a parallel configuration. First insulator 42H' provides a means for first isolation tube 16H' and first plate lead wires 20H' to travel through conductive first metal body half 40H' of first cell half 30H' without interfering with capacitance. In this embodiment, first isolation tube 16H' travels and exits through first insulator 42H' adjacent to an outer surface of first insulator 42H'. First plate lead wires 20H' travel and exit through first insulator 42H' adjacent to an outer surface of first insulator 42H' equidistant from first isolation tube 16H' in a triangular pattern.

In an alternate embodiment, first and second cell halves 30H and 30L may include a second ring-shaped capacitor plate positioned in first and second interior

cavities 44H and 44L and connected to the recessed surface of first and second insulators 42H and 42L radially outward from and not in contact with first and second capacitor plates 46H and 46L, respectively, as described in U.S. Pat. No. 6,295,875. Additional plate lead wires have first ends in contact with the ring-shaped capacitor plates and extend
5 through first and second insulators 42H and 42L in a position parallel to first and second isolation tubes 16H and 16L and first and second plate lead wires 20H and 20L to exit first and second cell halves 30H and 30L, respectively. The second ends of the additional electrical lead wires are connected to transmitter circuitry 18 to provide additional compensation capacities used in conjunction with C_H and C_L to assist in compensating for
10 diaphragm deformation, particularly at high pressures, thereby rendering a more accurate pressure measurement.

While the invention has been described with reference to an exemplary embodiment(s), it will be understood by those skilled in the art that various changes may be made and equivalents may be substituted for elements thereof without departing from
15 the scope of the invention. In addition, many modifications may be made to adapt a particular situation or material to the teachings of the invention without departing from the essential scope thereof. Therefore, it is intended that the invention not be limited to the particular embodiment(s) disclosed, but that the invention will include all embodiments falling within the scope of the appended claims.

20

CLAIMS:

1. A capacitance-based differential pressure sensor for measuring a process variable, the pressure sensor comprising:

a first cell half comprising:

5 a first metal body having a first exterior end wall and a first interior wall;

a first insulator that extends through the first metal body to a first surface at the first interior wall; and

10 a first capacitor plate positioned on the first insulator at the first surface;

a second cell half comprising:

15 a second metal body having a second exterior end wall and a second interior wall;

a second insulator that extends through the second metal body to a second surface at the second interior wall; and

a second capacitor plate positioned on the second insulator at the second surface;

a diaphragm connected at a joint between the first interior surface of the first cell half and the second interior surface of the second cell half;

20 a first isolation tube with a first end in fluid communication with a first interior cavity and extending through the first insulator to exit the first cell half at the first exterior end wall;

25 a second isolation tube with a first end in fluid communication with a second interior cavity and extending through the second insulator to exit the second cell half at the second exterior end wall;

a first electrical lead wire with a first end in contact with the first capacitor plate and extending through the first insulator parallel to the first isolation tube to exit the first cell half at the first exterior end wall;

30 a second electrical lead wire with a first end in contact with the second capacitor plate and extending through the second insulator parallel to the second isolation tube to exit the second cell half at the second exterior end wall;

a third electrical lead wire with a first end in contact with the first cell half or the second cell half;

a first fill fluid within the first isolation tube and the first interior cavity;
and
a second fill fluid within the second isolation tube and the second interior
cavity.

- 5 2. The pressure sensor of claim 1, wherein the diaphragm is electrically
connected through one of the first and second metal bodies to the third electrical lead
wire.
3. The pressure sensor of claim 1, including a plurality of first electrical lead
wires, and a plurality of second electrical lead wires.
- 10 4. The pressure sensor of claim 1, wherein the first isolation tube includes a
second end that terminates adjacent a first isolation diaphragm, and wherein the second
isolation tube includes a second end that terminates adjacent a second isolation
diaphragm.
5. The pressure sensor of claim 1, wherein the first electrical lead wire, the
15 second electrical lead wire, and the third electrical lead wire each have a second end
connected to circuitry to produce a differential pressure signal output.
6. The pressure sensor of claim 1, wherein the first metal body is annular and
surrounds the first insulator, and wherein the second metal body is annular and surrounds
the second insulator.
- 20 7. The pressure sensor of claim 1, wherein the insulator is a glass or ceramic-
based material.
8. the pressure sensor of claim 1, wherein the first and second surfaces of the
first and second interior walls, respectively, are curved surfaces.
9. A pressure sensor comprising:
25 a cell body having a first exterior end wall, a second exterior end wall, a
cylindrical side wall, a first interior wall, and a second interior
wall, the first and second interior walls facing one another and
defining an interior cavity, wherein the cell body includes a first
metal cell half surrounding a first insulator region that extends
30 from the first exterior end wall to the interior cavity and forms a
first surface of the first interior wall, and a second metal cell half
surrounding a second insulator region that extends from the second
exterior end wall to the interior cavity and forms a second surface
of the second interior wall;

- a deflectable diaphragm connected at an outer periphery between the first and second interior walls, the diaphragm separating the interior cavity into a first cavity and a second cavity;
- a first electrode on the first surface;
- 5 a second electrode on the second surface;
- a first electrical lead extending from the first electrode through the first insulator region and out of the first exterior end wall; and
- a second electrical lead extending from the second electrode through the second insulator region and out of the second exterior end wall.
- 10 10. The pressure sensor of claim 9 and further comprising:
- a first fluid passage extending through the first insulator region from the first cavity to the first exterior end wall; and
- a second fluid passage extending through the second insulator region from the second cavity to the second exterior end wall.
- 15 11. The pressure sensor of claim 9, including a plurality of first electrical lead wires, and a plurality of second electrical lead wires.
12. The pressure sensor of claim 9, wherein the first surface of the first interior wall and the second surface of the second interior wall are curved surfaces
13. The pressure sensor of claim 9, and further comprising:
- 20 a third electrical lead wire with a first end in contact with the first metal cell half or the second metal cell half, wherein the deflectable diaphragm is electrically connected through one of the first metal cell half and the second metal cell half to the third electrical lead wire.
- 25 14. The pressure sensor of claim 13, wherein the first electrical lead wire, the second electrical lead wire, and the third electrical lead wire each have a second end connected to circuitry to produce a pressure signal output.
15. The pressure sensor of claim 9, wherein the insulator is a glass or ceramic-based material.
- 30 16. A capacitance-based pressure sensor for measuring a process variable, the pressure sensor comprising:
- a metal sensor body;
- a diaphragm disposed within a cavity of the metal sensor to form a deflectable capacitor plate;

- an insulator extending through the metal sensor body from an end wall to the cavity;
- an isolation tube in fluid connection with the cavity, the isolation tube extending into the insulator through the end wall;
- 5 a stationary capacitor plate on a surface of the insulator in the cavity, the stationary capacitor plate spaced from the diaphragm;
- an electrical lead wire connected to the stationary capacitor plate and extending through the insulator parallel to the isolation tube and exiting the insulator at the end wall; and
- 10 a fill fluid within the isolation tube and the cavity to apply pressure to the diaphragm.
17. The pressure sensor of claim 16, and further comprising a plurality of electrical lead wires.
18. The pressure sensor of claim 16, wherein the metal sensor body is annular.
- 15 19. The pressure sensor of claim 16, wherein a first end of the isolation tube is in fluid communication with the cavity and a second end of the isolation tube terminates adjacent an isolation diaphragm.
20. The pressure sensor of claim 16, wherein the insulator is a glass or ceramic-based material.

20

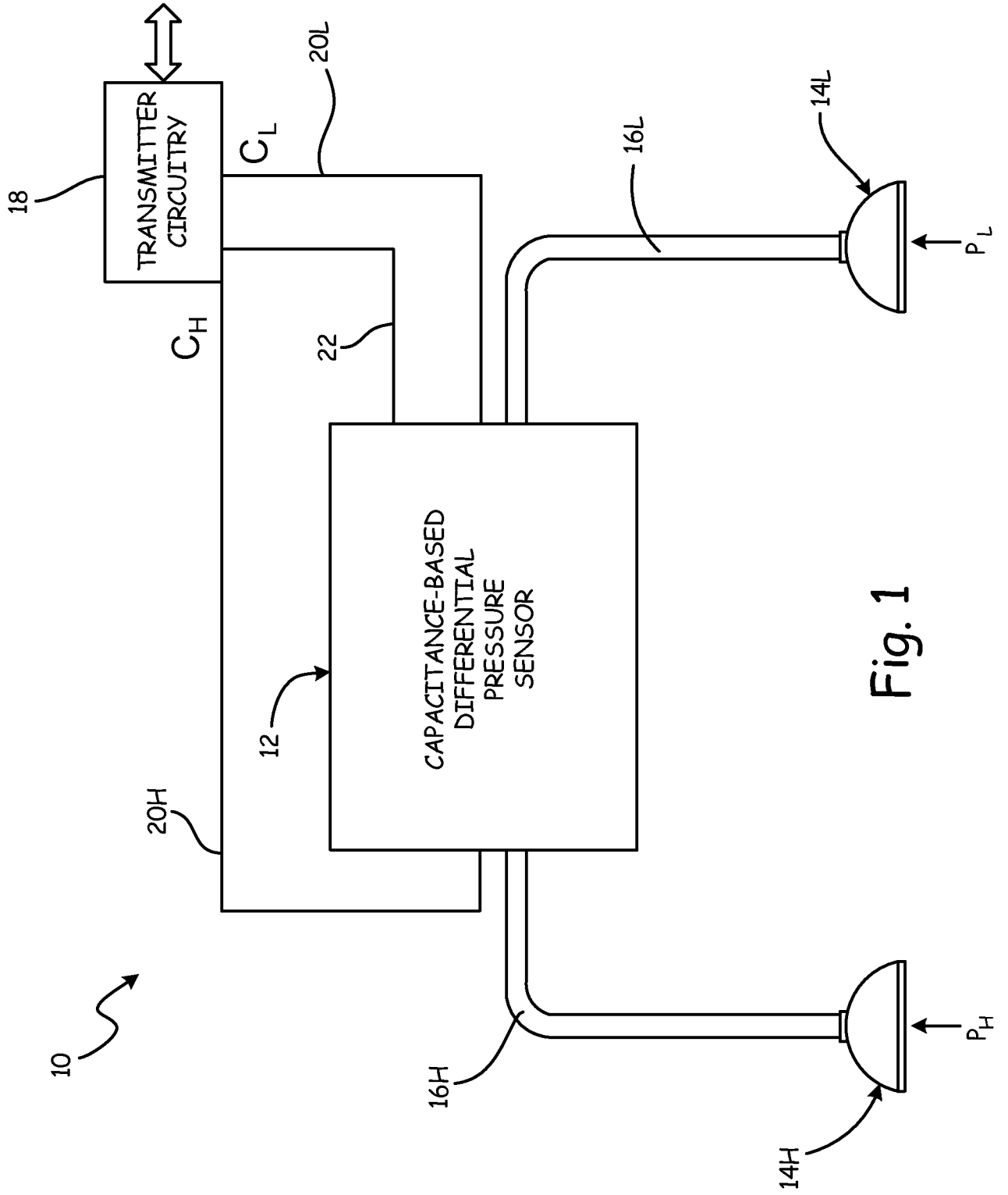


Fig. 1

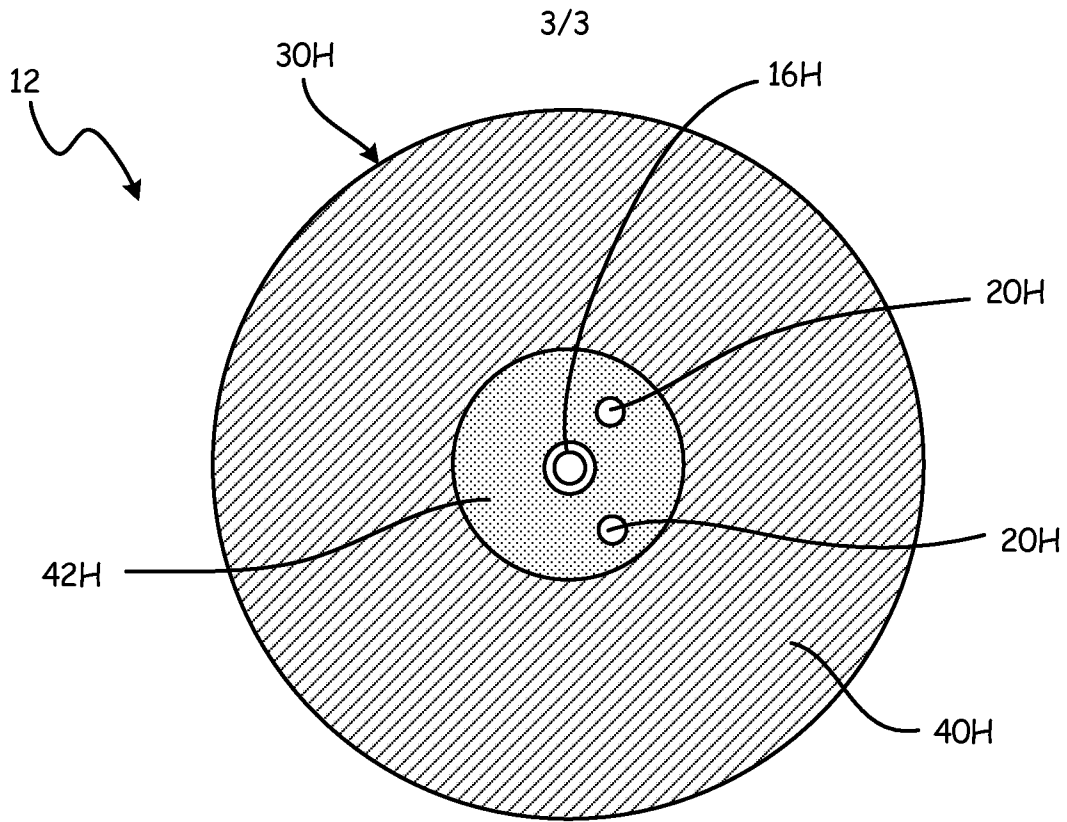


Fig. 3A

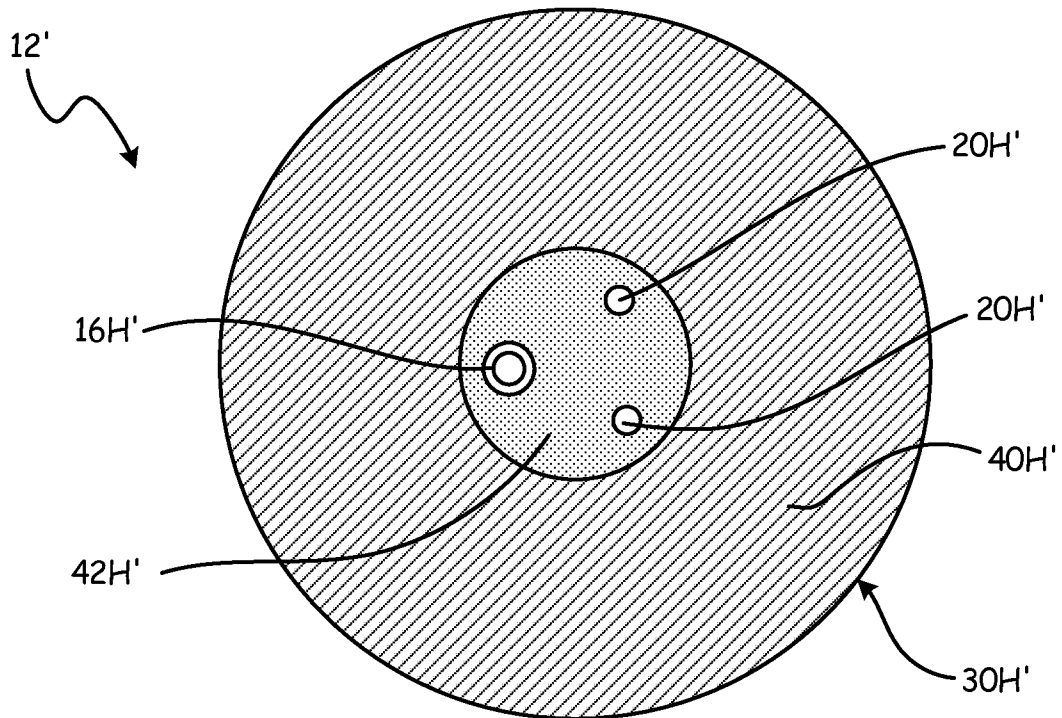


Fig. 3B

A. CLASSIFICATION OF SUBJECT MATTER**G01L 13/02(2006.01)i, G01L 9/12(2006.01)i**

According to International Patent Classification (IPC) or to both national classification and IPC

B. FIELDS SEARCHEDMinimum documentation searched (classification system followed by classification symbols)
G01L 13/02; G01L 9/02; G01L 9/10; G01L 9/12; G01L 9/14Documentation searched other than minimum documentation to the extent that such documents are included in the fields searched
Korean utility models and applications for utility models
Japanese utility models and applications for utility modelsElectronic data base consulted during the international search (name of data base and, where practicable, search terms used)
eKOMPASS(KIPO internal) & Keywords: capacitance, differential pressure sensor, insulator, diaphragm, isolation tube, lead wire and fluid**C. DOCUMENTS CONSIDERED TO BE RELEVANT**

Category*	Citation of document, with indication, where appropriate, of the relevant passages	Relevant to claim No.
A	US 6295875 B1 (FRICK et al.) 02 October 2001 See abstract, column 6, lines 30 - column 8, line 8, column 8, lines 20-35, column 9, lines 50-64, claim 1 and figures 4, 5.	1-20
A	US 4520675 A (ZIEGLER, HORST) 04 June 1985 See abstract, column 3, lines 31-64 and figures 1, 2.	1-20
A	US 4370890 A (FRICK, ROGER L.) 01 February 1983 See abstract, column 2, lines 4-59, claim 1 and figures 1, 2.	1-20
A	US 4388833 A (KUWAYAMA, HIDEKI) 21 June 1983 See abstract, claim 1 and figure 2.	1-20
A	US 5798462 A (BRIEFER et al.) 25 August 1998 See abstract, claims 1, 7 and figure 2.	1-20

 Further documents are listed in the continuation of Box C. See patent family annex.

* Special categories of cited documents:

"A" document defining the general state of the art which is not considered to be of particular relevance

"E" earlier application or patent but published on or after the international filing date

"L" document which may throw doubts on priority claim(s) or which is cited to establish the publication date of another citation or other special reason (as specified)

"O" document referring to an oral disclosure, use, exhibition or other means

"P" document published prior to the international filing date but later than the priority date claimed

"T" later document published after the international filing date or priority date and not in conflict with the application but cited to understand the principle or theory underlying the invention

"X" document of particular relevance; the claimed invention cannot be considered novel or cannot be considered to involve an inventive step when the document is taken alone

"Y" document of particular relevance; the claimed invention cannot be considered to involve an inventive step when the document is combined with one or more other such documents, such combination being obvious to a person skilled in the art

"&" document member of the same patent family

Date of the actual completion of the international search

24 December 2015 (24.12.2015)

Date of mailing of the international search report

28 December 2015 (28.12.2015)

Name and mailing address of the ISA/KR

International Application Division

Korean Intellectual Property Office

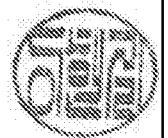
189 Cheongsu-ro, Seo-gu, Daejeon, 35208, Republic of Korea

Facsimile No. +82-42-472-7140

Authorized officer

LEE, Hun Gil

Telephone No. +82-42-481-8525



INTERNATIONAL SEARCH REPORT

Information on patent family members

International application No.

PCT/US2015/053220

Patent document cited in search report	Publication date	Patent family member(s)	Publication date
US 6295875 B1	02/10/2001	AT 308740 T	15/11/2005
		AU 2000-47107 A1	05/12/2000
		BR 0010542 A	23/04/2002
		BR 0010542 B1	11/12/2012
		CA 2373413 A1	23/11/2000
		CN 1151368 C	26/05/2004
		CN 1350636 A	22/05/2002
		DE 60023688 D1	08/12/2005
		DE 60023688 T2	20/07/2006
		EP 1181518 A1	27/02/2002
		EP 1181518 B1	02/11/2005
		EP 1408317 A2	14/04/2004
		EP 1408317 A3	27/10/2004
		EP 1413865 A2	28/04/2004
		EP 1413865 A3	27/10/2004
		EP 1413866 A2	28/04/2004
		EP 1413866 A3	27/10/2004
		EP 1413867 A2	28/04/2004
		EP 1413867 A3	27/10/2004
		EP 1413868 A2	28/04/2004
		EP 1413868 A3	27/10/2004
		EP 1418413 A2	12/05/2004
		EP 1418413 A3	27/10/2004
		JP 2002-544514 A	24/12/2002
		JP 2003-042881 A	13/02/2003
		JP 4612986 B2	12/01/2011
		JP 4860043 B2	25/01/2012
		KR 10-0883618 B1	13/02/2009
		MX PA01011531 A	04/06/2002
		RU 2243518 C2	27/12/2004
		US 2002-0011115 A1	31/01/2002
		US 6508131 B2	21/01/2003
		WO 00-70321 A1	23/11/2000
US 4520675 A	04/06/1985	EP 0091396 A1	12/10/1983
		EP 0091396 B1	27/08/1986
		JP 58-186025 A	29/10/1983
US 4370890 A	01/02/1983	EP 0061488 A1	06/10/1982
		EP 0061488 A4	04/10/1983
		EP 0061488 B1	17/12/1986
		WO 82-01250 A1	15/04/1982
US 4388833 A	21/06/1983	JP 56-102445 U	11/08/1981
US 5798462 A	25/08/1998	CN 1100250 C	29/01/2003
		CN 1192272 A	02/09/1998
		EP 0830577 A1	25/03/1998
		EP 0830577 A4	20/05/1998

INTERNATIONAL SEARCH REPORT

Information on patent family members

International application No.

PCT/US2015/053220

Patent document cited in search report	Publication date	Patent family member(s)	Publication date
		EP 0830577 B1	31/01/2001
		JP 11-506832 A	15/06/1999
		US 5705751 A	06/01/1998
		WO 96-41141 A1	19/12/1996