



US00D460690S

(12) **United States Design Patent** (10) **Patent No.:** **US D460,690 S**  
**Doerschlag** (45) **Date of Patent:** **\*\* Jul. 23, 2002**

(54) **MEDICINE CONTAINER**

(76) Inventor: **Wolfgang Doerschlag**, 4400 Limerick  
La., Dublin, OH (US) 43017

(\*\*) Term: **14 Years**

(21) Appl. No.: **29/145,807**

(22) Filed: **Jul. 30, 2001**

(51) **LOC (7) Cl.** ..... **09-03**

(52) **U.S. Cl.** ..... **D9/423; D9/432; D9/341**

(58) **Field of Search** ..... **D9/420-425, 432,**  
**D9/414, 337, 341, 346, 347; D3/273, 274,**  
**282, 283, 284, 294, 203; 206/216, 223,**  
**570, 571, 572, 508, 528, 530, 539, 828;**  
**220/500, 501, 521, 528, 553, 781, 836-839,**  
**675**

(56) **References Cited**

**U.S. PATENT DOCUMENTS**

2,375,645	A	*	5/1945	Gordon	.....	206/819
4,887,790	A	*	12/1989	Wilkinson et al.	.....	206/828
5,035,319	A	*	7/1991	Kunisch	.....	206/566
D339,742	S	*	9/1993	Walchek, Jr. et al.	.....	D9/423
5,277,329	A	*	1/1994	Pomroy et al.	.....	206/541
5,323,924	A	*	6/1994	Wolff	.....	206/566
D360,359	S	*	7/1995	Ledowsky	.....	D9/423
D398,521	S	*	9/1998	Coe	.....	D9/423
D399,346	S	*	10/1998	Saari	.....	D9/423
D421,902	S	*	3/2000	Hill	.....	D9/423

\* cited by examiner

*Primary Examiner*—Prabhakar Deshmukh

(74) *Attorney, Agent, or Firm*—Stevens & Showalter, LLP

(57) **CLAIM**

The ornamental design for a medicine container, as shown and described.

**DESCRIPTION**

FIG. 1 is a perspective view of a medicine container

illustrating my new design with the view taken from above and in front of the medicine container;

FIG. 2 is a perspective view of the medicine container of FIG. 1 illustrating my new design with the view taken from below and behind the medicine container;

FIG. 3 is a front view of the medicine container of FIG. 1;

FIG. 4 is a back view of the medicine container of FIG. 1;

FIG. 5 is a top view of the medicine container of FIG. 1;

FIG. 6 is a bottom view of the medicine container of FIG. 1;

FIG. 7 is a right side view of the medicine container of FIG. 1;

FIG. 8 is a left side view of the medicine container of FIG. 1;

FIG. 9 is perspective view of the medicine container of FIG. 1 with a lid of a base container open and a medicine tray insert removed from the base container;

FIG. 10 is a perspective view of the medicine container of FIG. 1 with the lid open and a thirty two compartment medicine tray insert in the base container;

FIG. 11 is a perspective view of the medicine container of FIG. 1 with the lid open and a fourteen compartment medicine tray insert in the base container;

FIG. 12 is a perspective view of a medicine container illustrating my new design wherein the base container is translucent, the lid is raised and a fourteen compartment medicine tray insert is in the base container; and,

FIG. 13 is a perspective view of a medicine container illustrating my new design wherein the base container is translucent, the lid is raised and a thirty two compartment medicine tray insert is in the base container.

**1 Claim, 5 Drawing Sheets**

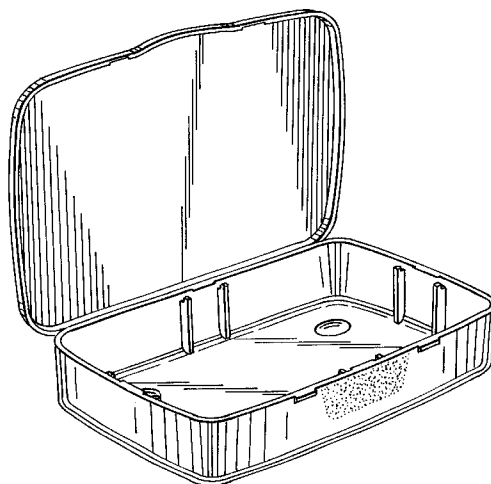


FIG.1

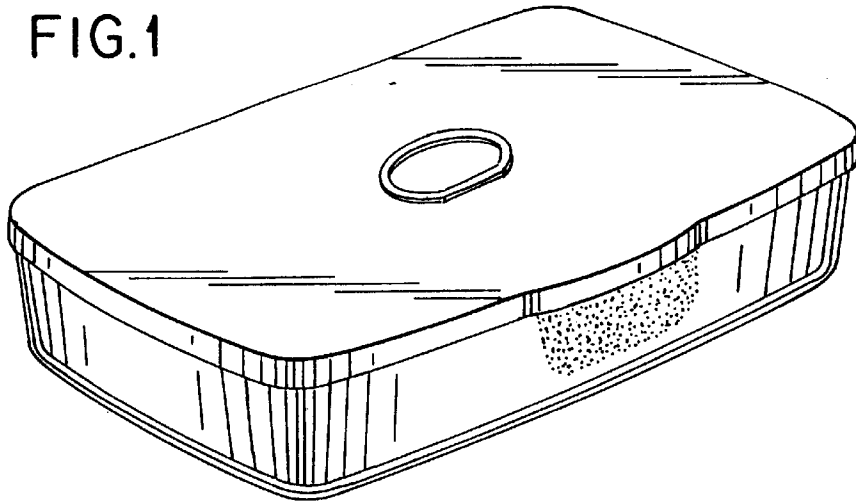


FIG.2

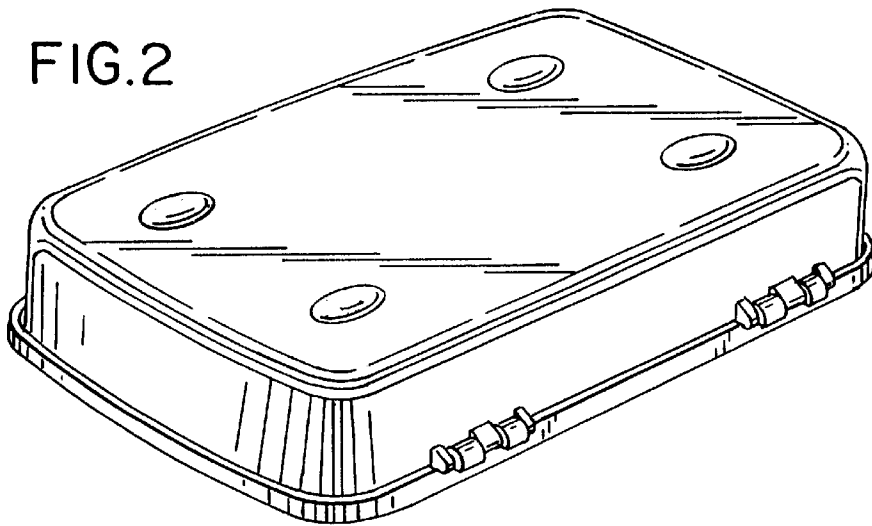


FIG.3

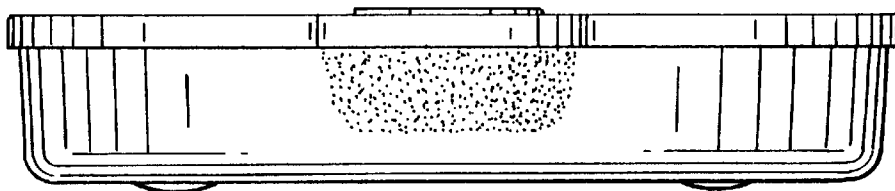


FIG.4

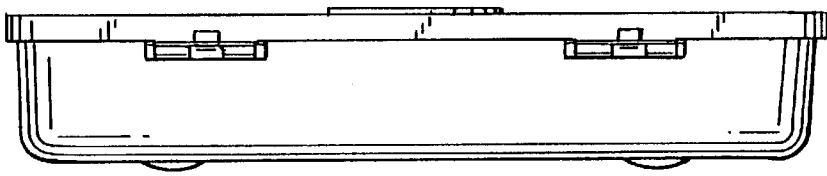


FIG.5

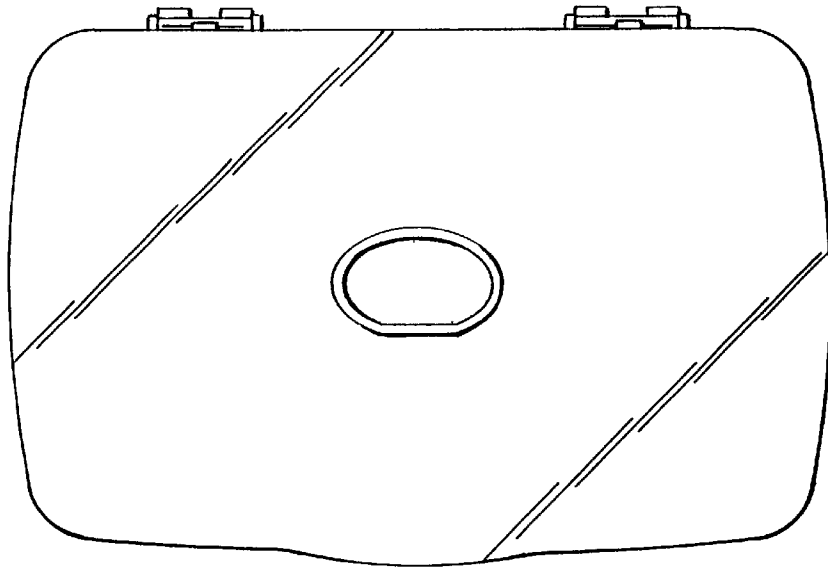


FIG.6

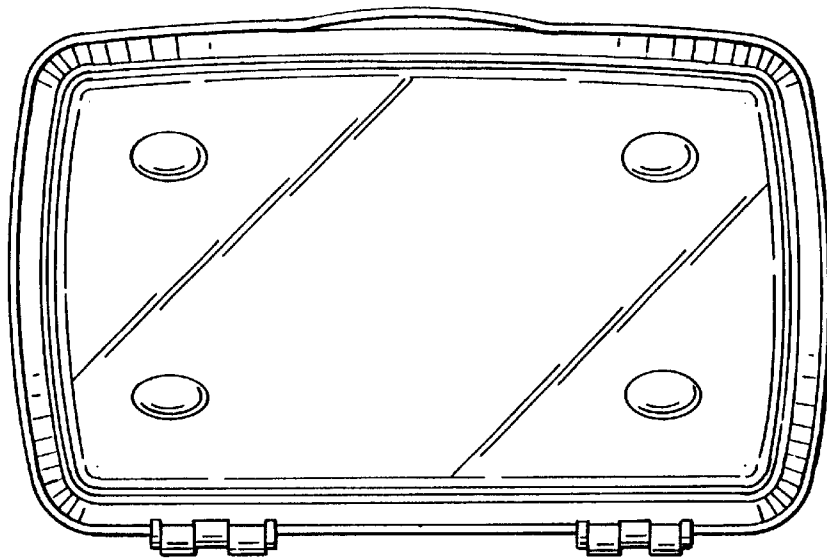


FIG.7

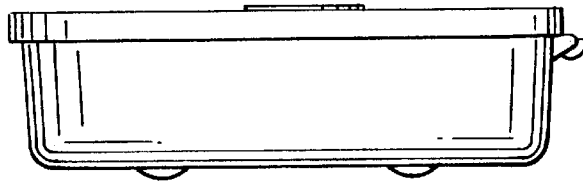


FIG.8

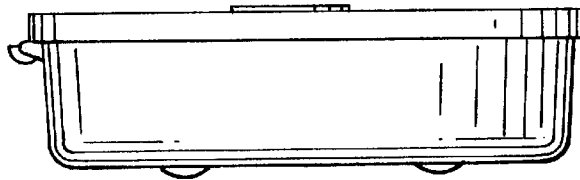


FIG.9

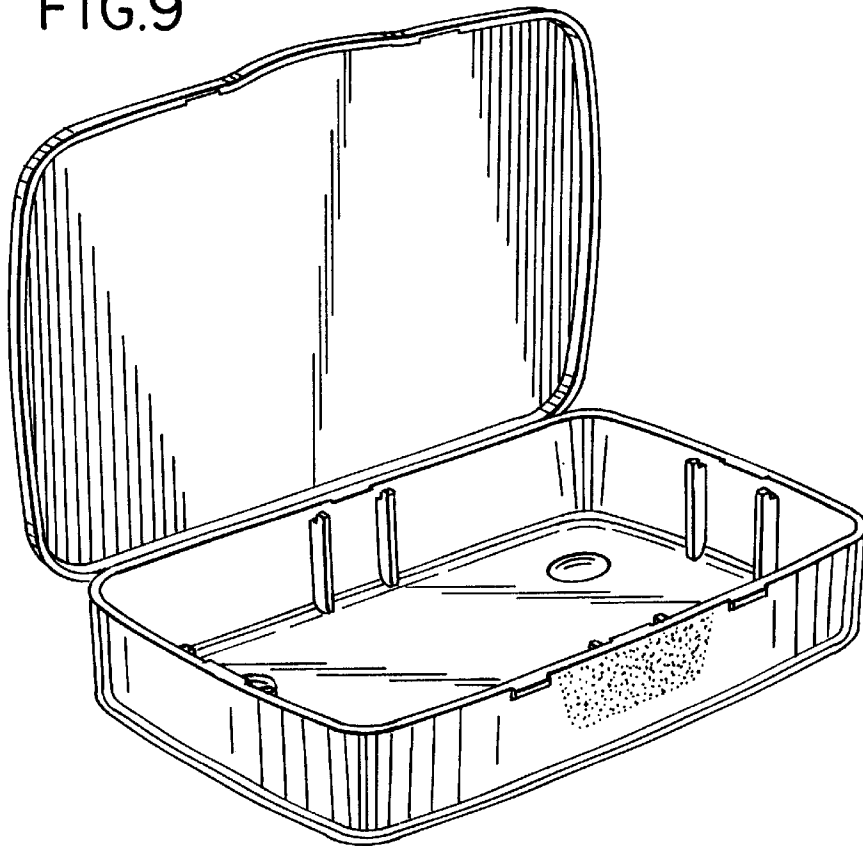


FIG. 10

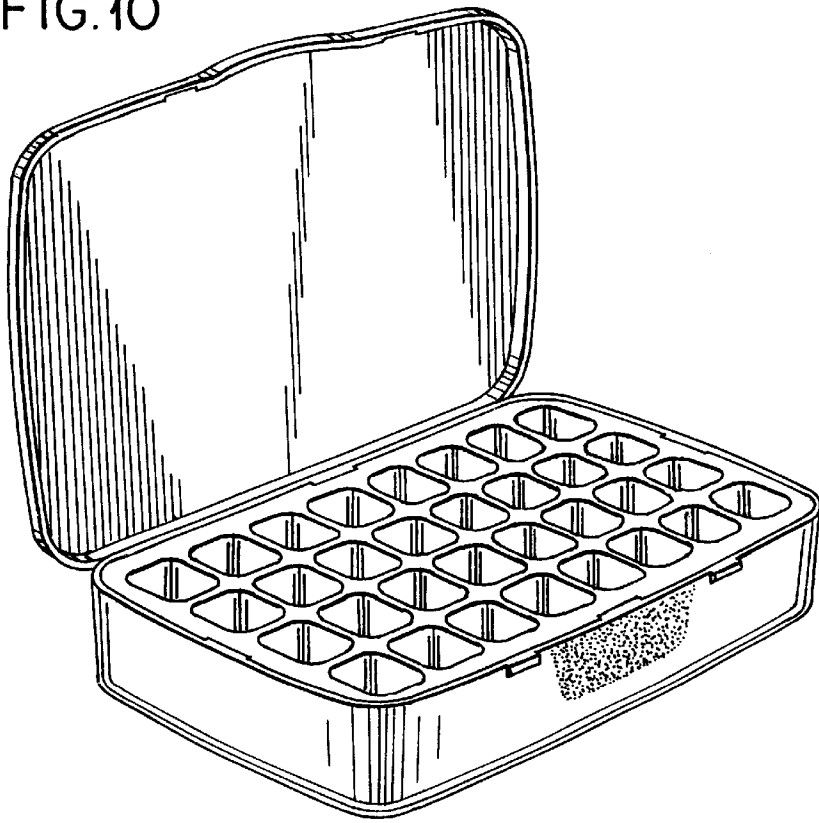


FIG. 11

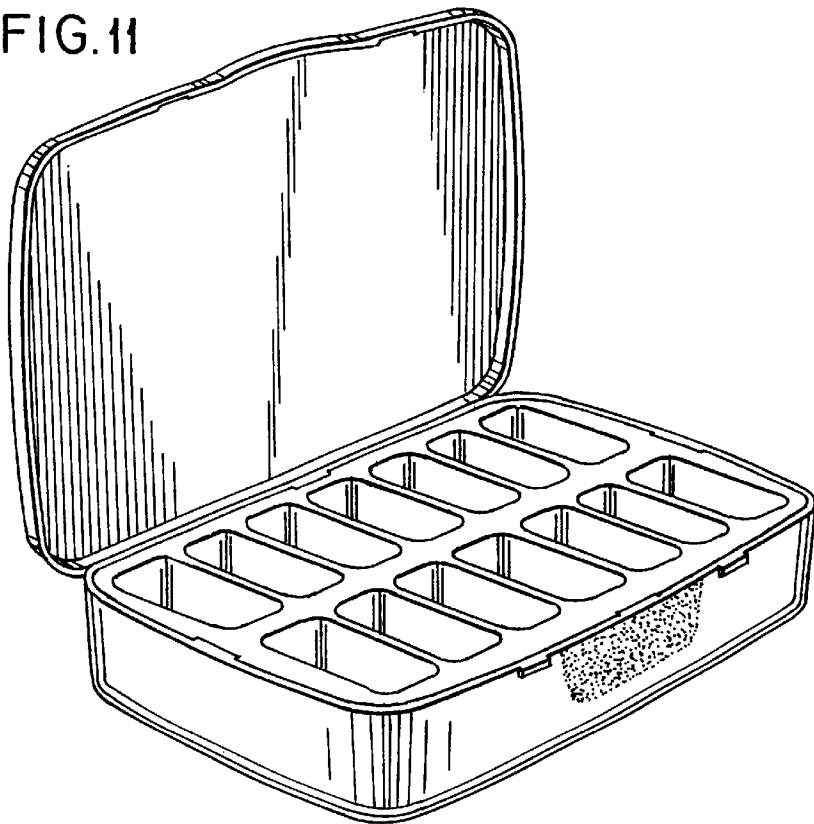


FIG. 12

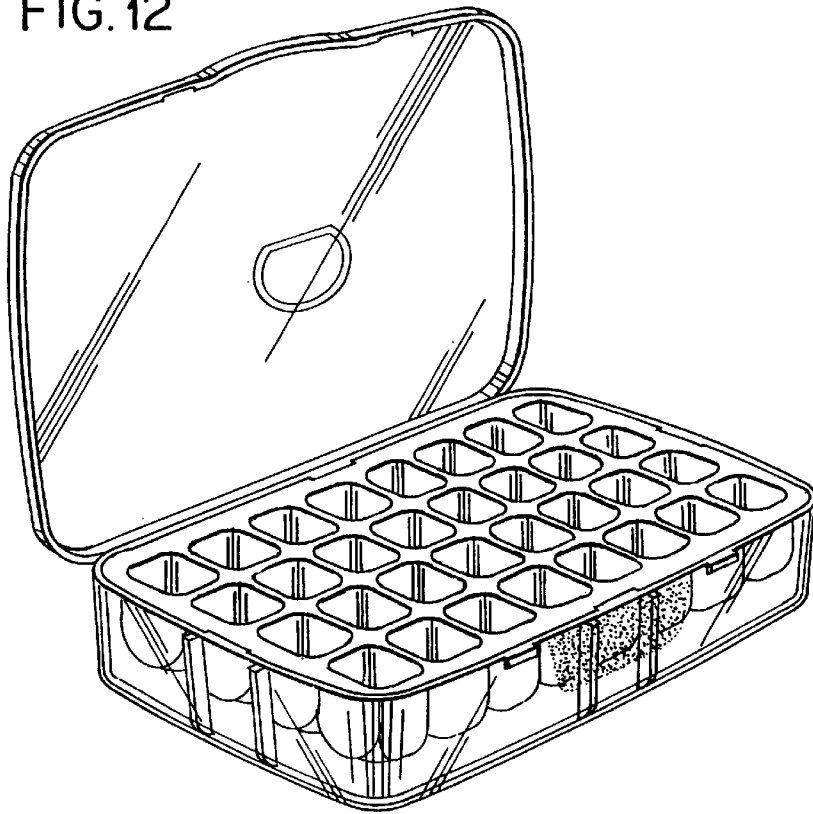


FIG. 13

