

(19) World Intellectual Property Organization  
International Bureau



(43) International Publication Date  
5 April 2007 (05.04.2007)

PCT

(10) International Publication Number  
WO 2007/038430 A3

(51) International Patent Classification:  
B65D 33/10 (2006.01) B65D 33/38 (2006.01)  
B65D 33/08 (2006.01) B31B 1/86 (2006.01)

(21) International Application Number:  
PCT/US2006/037251

(22) International Filing Date:  
26 September 2006 (26.09.2006)

(25) Filing Language: English

(26) Publication Language: English

(30) Priority Data:  
11/235,676 26 September 2005 (26.09.2005) US

(71) Applicant (for all designated States except US):  
SCHOLLE CORPORATION [US/US]; 19540 Jam-  
boree Road, Suite 310, Irvine, CA 92612-2457 (US).

(72) Inventors; and

(75) Inventors/Applicants (for US only): DEBLANDER,  
Darin [US/US]; 200 West North Avenue, Northlake, IL  
60164 (US). GONZALES, Raul, Z. [US/US]; 200 West

North Avenue, Northlake, IL 60164 (US). ROONEY,  
James [US/US]; 200 West North Avenue, Northlake, IL  
60164 (US). WEHLING, Ken [US/US]; 200 West North  
Avenue, Northlake, IL 60164 (US).

(74) Agent: JOVANOVIC, Jovan, N.; The Watson Intellec-  
tual Property Group, PLC, 3133 Highland Drive, Suite 200,  
Hudsonville, MI 49426 (US).

(81) Designated States (unless otherwise indicated, for every  
kind of national protection available): AE, AG, AL, AM,  
AT, AU, AZ, BA, BB, BG, BR, BW, BY, BZ, CA, CH, CN,  
CO, CR, CU, CZ, DE, DK, DM, DZ, EC, EE, EG, ES, FI,  
GB, GD, GE, GH, GM, HN, HR, HU, ID, IL, IN, IS, JP,  
KE, KG, KM, KN, KP, KR, KZ, LA, LC, LK, LR, LS, LT,  
LU, LV, LY, MA, MD, MG, MK, MN, MW, MX, MY, MZ,  
NA, NG, NI, NO, NZ, OM, PG, PH, PL, PT, RO, RS, RU,  
SC, SD, SE, SG, SK, SL, SM, SV, SY, TJ, TM, TN, TR,  
TT, TZ, UA, UG, US, UZ, VC, VN, ZA, ZM, ZW.

(84) Designated States (unless otherwise indicated, for every  
kind of regional protection available): ARIPO (BW, GH,  
GM, KE, LS, MW, MZ, NA, SD, SL, SZ, TZ, UG, ZM,

[Continued on next page]

(54) Title: FLEXIBLE BAG HANGABLE FROM A PLURALITY OF OUTSIDE STRUCTURES

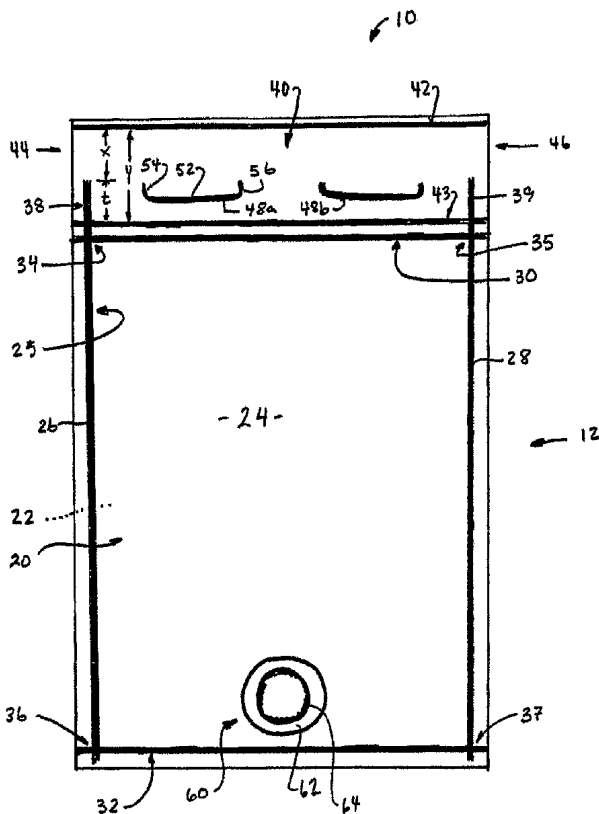


FIGURE 1

(57) Abstract: A flexible bag comprising an outer panel assembly, a cavity sealing assembly, a spout assembly, and a handle area. The outer panel assembly comprises a first panel and a second panel positioned in an overlaying orientation. The cavity sealing assembly includes opposing side seals, a top cavity seal and a bottom cavity seal which cooperate to form a cavity. Two extension regions extend away from the top cavity seal. The spout assembly is attached to the first panel and provides fluid communication with the cavity. The handle area includes a top handle seal spaced apart from the top cavity seal and the first and second extension regions. The first extension region in cooperation with the top handle seal defines a first side opening slot, and, the second extension region in cooperation with the top handle seal defines a second side opening slot. A hanging opening extends through the first panel and the second panel between the top cavity seal and the top handle seal.

WO 2007/038430 A3



ZW), Eurasian (AM, AZ, BY, KG, KZ, MD, RU, TJ, TM),  
European (AT, BE, BG, CH, CY, CZ, DE, DK, EE, ES, FI,  
FR, GB, GR, HU, IE, IS, IT, LT, LU, LV, MC, NL, PL, PT,  
RO, SE, SI, SK, TR), OAPI (BF, BJ, CF, CG, CI, CM, GA,  
GN, GQ, GW, ML, MR, NE, SN, TD, TG).

**Published:**

— *with international search report*

**(88) Date of publication of the international search report:**

14 May 2009

**INTERNATIONAL SEARCH REPORT**

International application No.

PCT/US06/37251

**A. CLASSIFICATION OF SUBJECT MATTER**  
 IPC: **B65D 33/10**( 2006.01),**33/08**( 2006.01),**33/38**( 2006.01);**B31B 1/86**( 2006.01)  
 USPC: 383/9,10,66;493/226  
 According to International Patent Classification (IPC) or to both national classification and IPC

**B. FIELDS SEARCHED**  
 Minimum documentation searched (classification system followed by classification symbols)  
 U.S. : 383/9,10,66,24,26; 493/226; 53/413; 221/283  
 Documentation searched other than minimum documentation to the extent that such documents are included in the fields searched  
 Electronic data base consulted during the international search (name of data base and, where practicable, search terms used)

**C. DOCUMENTS CONSIDERED TO BE RELEVANT**

Category *	Citation of document, with indication, where appropriate, of the relevant passages	Relevant to claim No.
Y	US 4,636,412 A (Field) 13 January 1987 (13.01.1987), entire document, especially fig. 1	1-20
Y	US 4,484,351 A (de Leeuwe et al.) 20 November 1984 (20.11.1984), entire document, especially fig. 1	1-20
Y	US 3,339,825 A (Grevich) 08 December 1965 (08.12.1965), especially fig. 1	6-7 and 18-20
Y	US 5,104,235 A (Bronstrup et al.) 14 April 1992 (14.04.1992), fig. 1	10-11 and 16-20

Further documents are listed in the continuation of Box C.  See patent family annex.

* Special categories of cited documents:		
"A" document defining the general state of the art which is not considered to be of particular relevance	"T"	later document published after the international filing date or priority date and not in conflict with the application but cited to understand the principle or theory underlying the invention
"E" earlier application or patent published on or after the international filing date	"X"	document of particular relevance; the claimed invention cannot be considered novel or cannot be considered to involve an inventive step when the document is taken alone
"L" document which may throw doubts on priority claim(s) or which is cited to establish the publication date of another citation or other special reason (as specified)	"Y"	document of particular relevance; the claimed invention cannot be considered to involve an inventive step when the document is combined with one or more other such documents, such combination being obvious to a person skilled in the art
"O" document referring to an oral disclosure, use, exhibition or other means		
"P" document published prior to the international filing date but later than the priority date claimed	"&"	document member of the same patent family

Date of the actual completion of the international search 22 April 2008 (22.04.2008)	Date of mailing of the international search report 06 MAY 2008
Name and mailing address of the ISA/US Mail Stop PCT, Attn: ISA/US Commissioner for Patents P.O. Box 1450 Alexandria, Virginia 22313-1450 Facsimile No. (571) 273-3201	Authorized officer Nathan Newhouse <i>Nathan Newhouse</i> Telephone No. (571) 272-4544 <i>Jan</i>