

FIG. 1

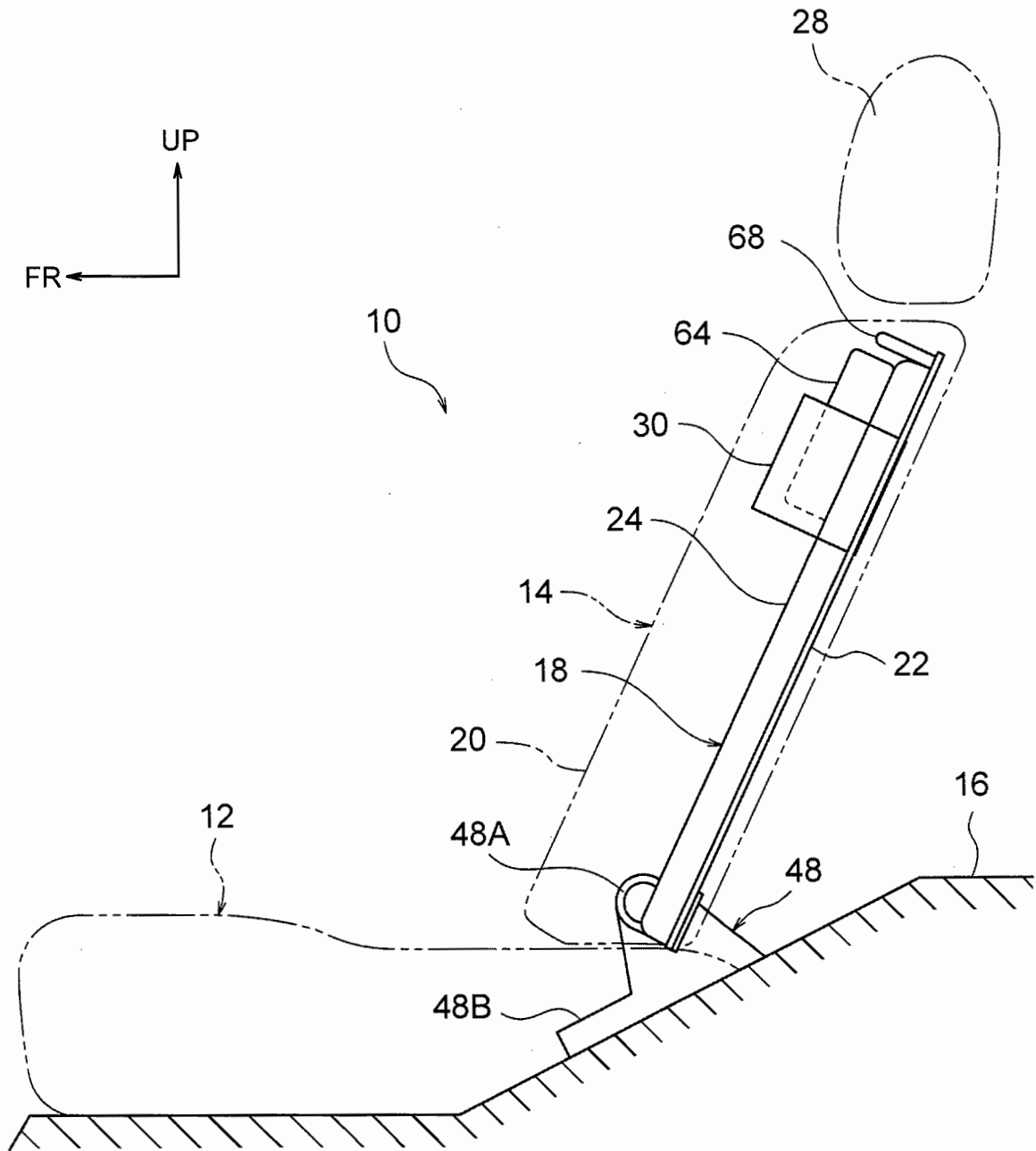


FIG. 2

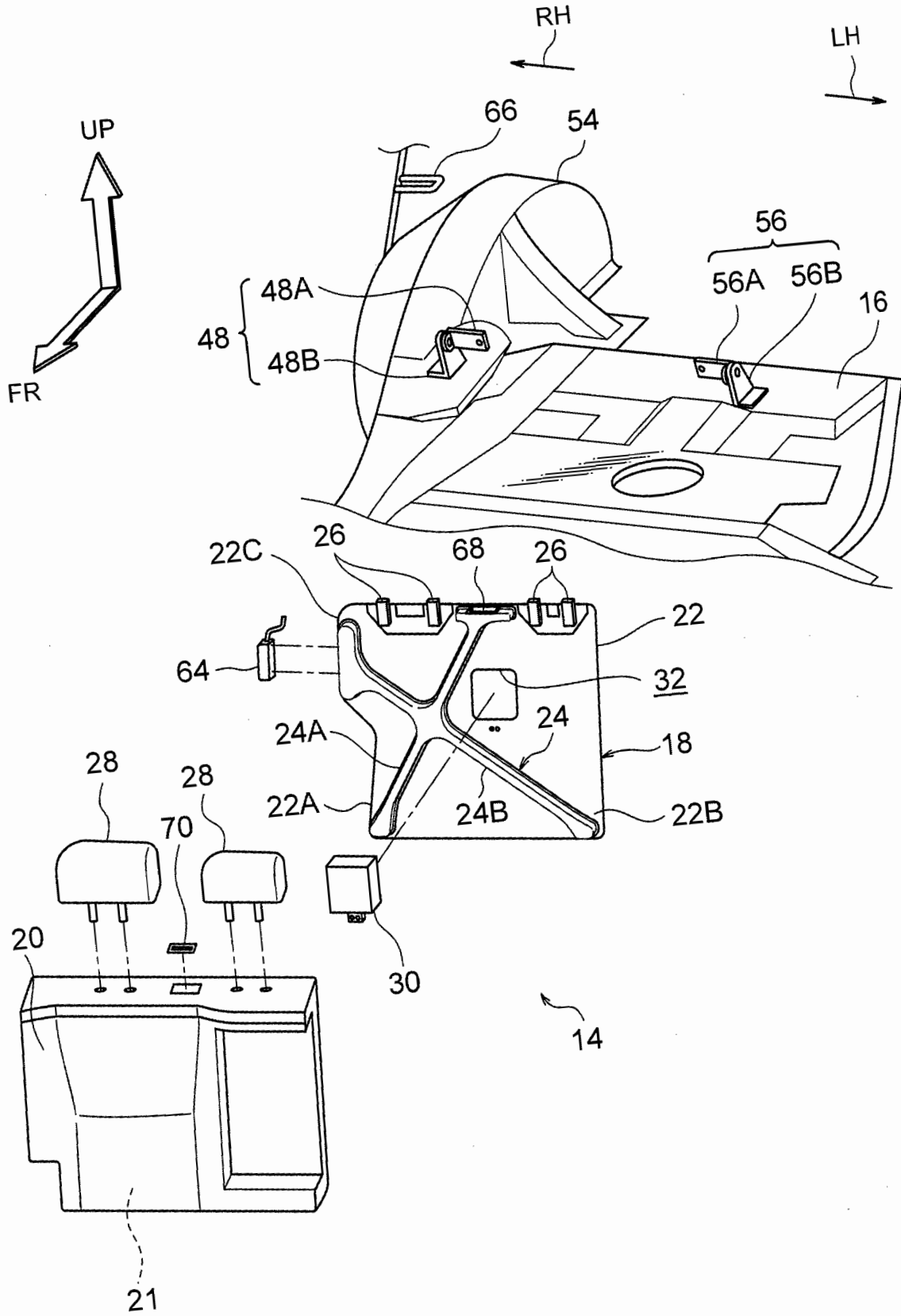


FIG. 3

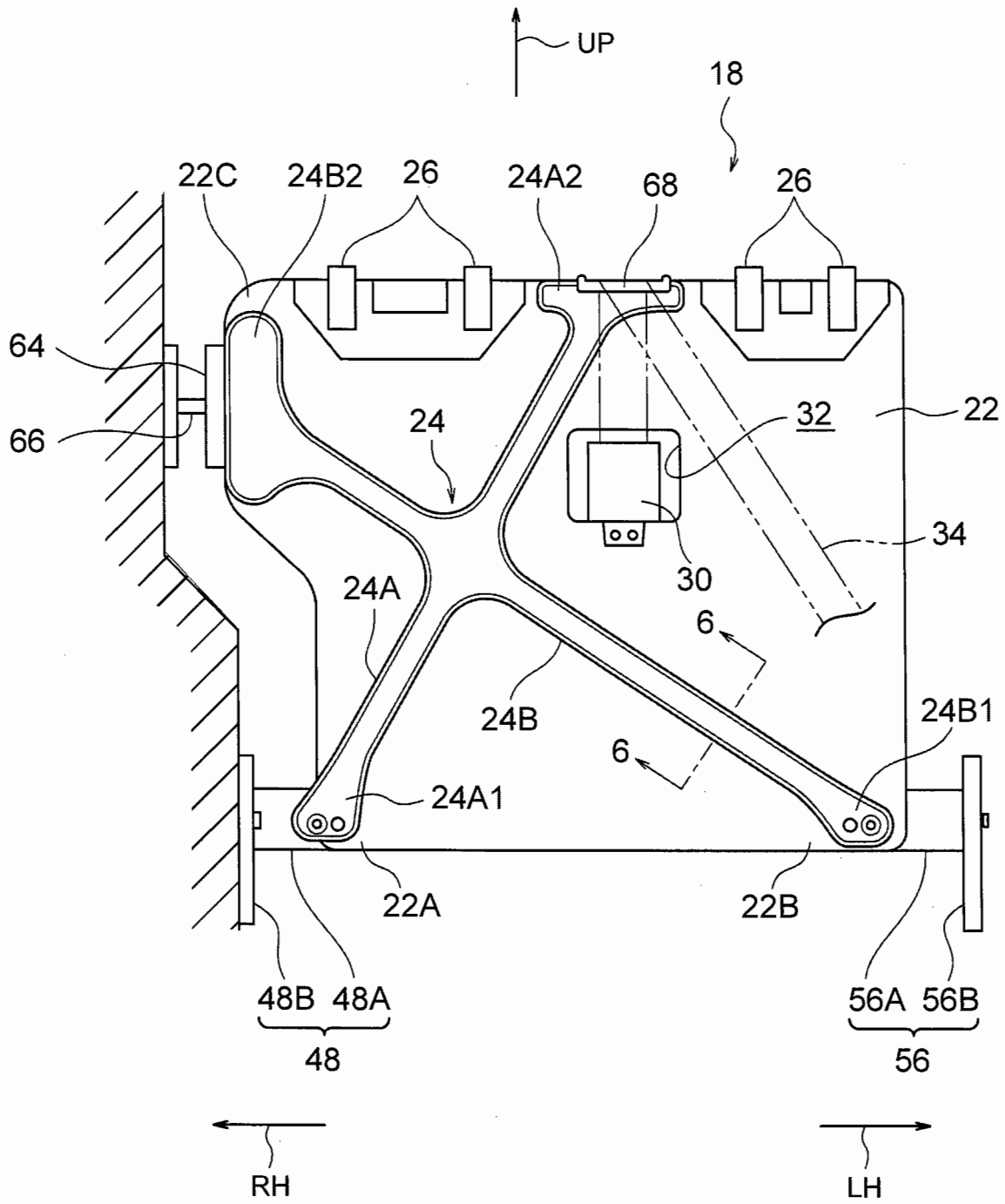


FIG. 4

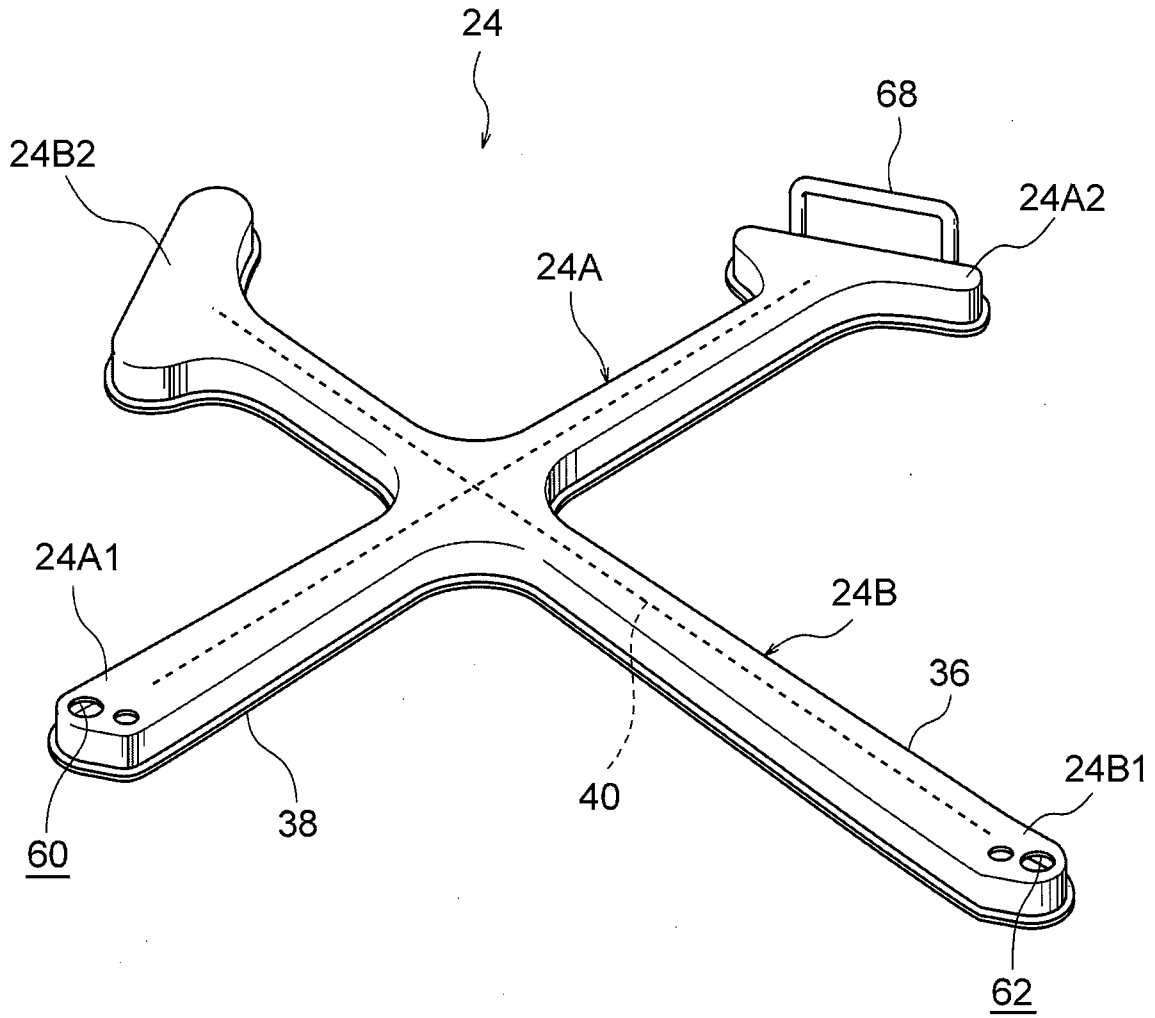


FIG. 5

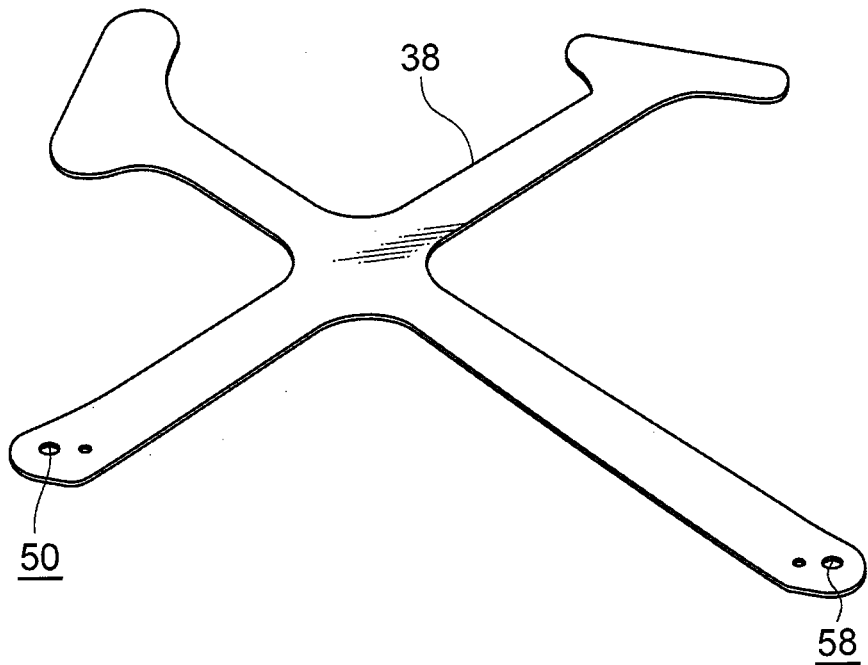
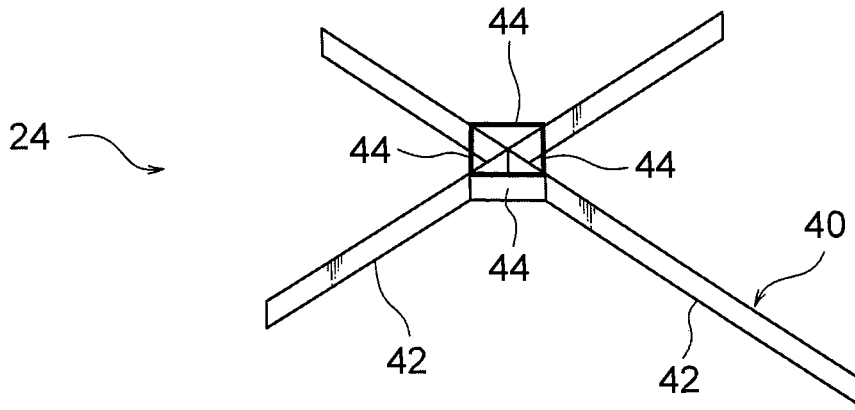
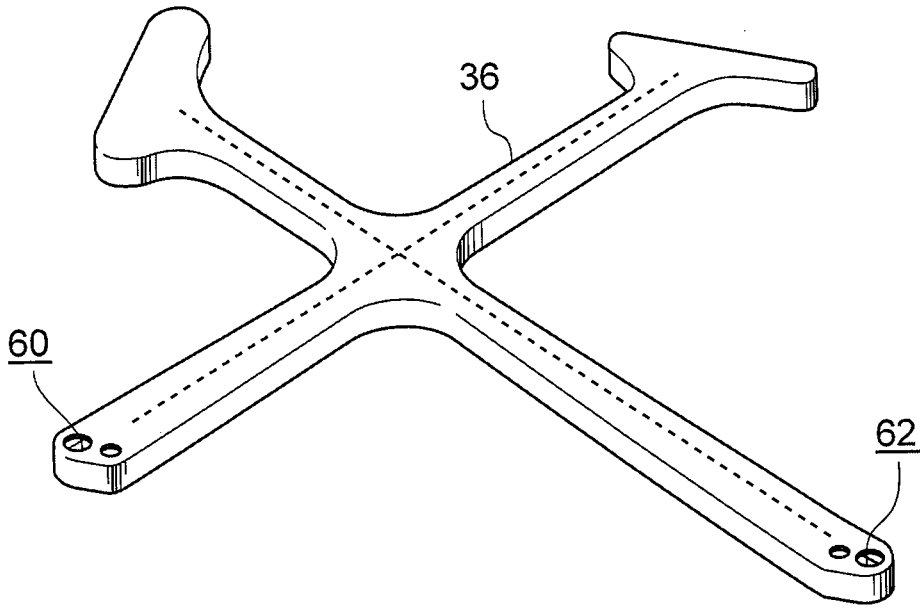


FIG. 6

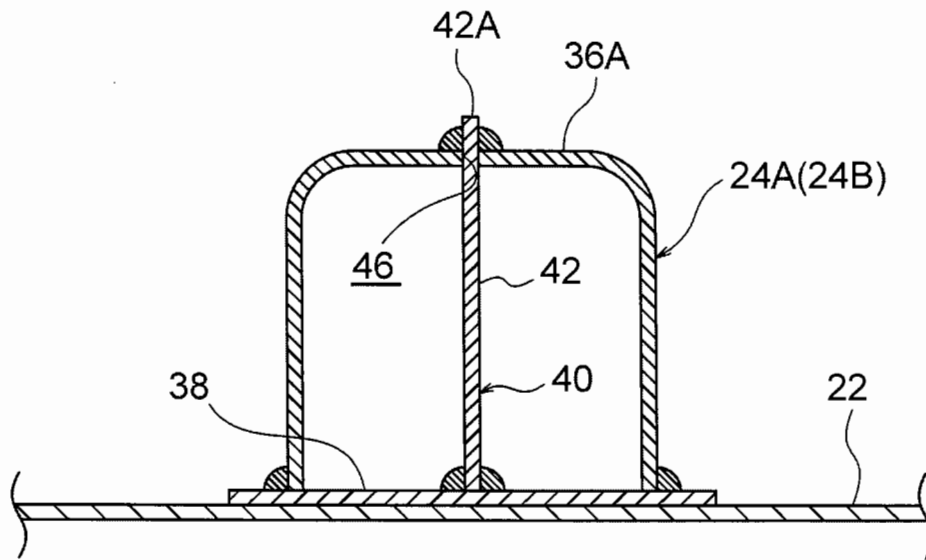


FIG. 7

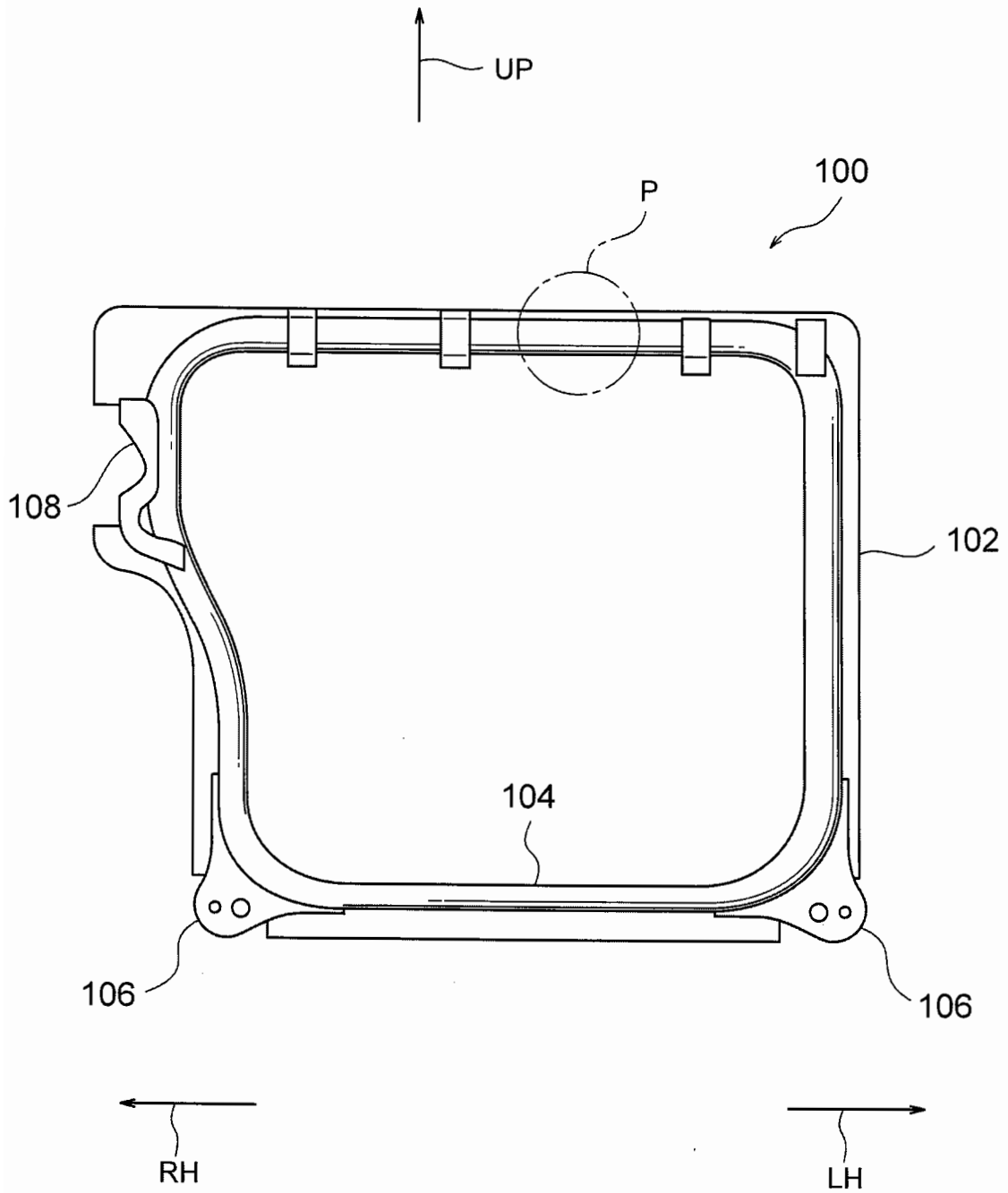


FIG. 8

	REAR SEATBACK FRAME 100	REAR SEATBACK FRAME 18
STRENGTH		
WEIGHT RATIO	REFERENCE (100%).	69% (A 31% REDUCTION)