



US00D749306S

(12) **United States Design Patent**  
**Benz et al.**

(10) **Patent No.:** **US D749,306 S**

(45) **Date of Patent:** **\*\* Feb. 16, 2016**

- (54) **HAT**
- (71) Applicant: **DGZBI, LLC**, De Pere, WI (US)
- (72) Inventors: **Todd W. Benz**, De Pere, WI (US);  
**Matthew Giese**, De Pere, WI (US)
- (\*\*) Term: **14 Years**
- (21) Appl. No.: **29/487,081**
- (22) Filed: **Apr. 4, 2014**
- (51) **LOC (10) Cl.** ..... **02-03**
- (52) **U.S. Cl.**  
USPC ..... **D2/891**
- (58) **Field of Classification Search**  
USPC ..... D2/865-895; 2/171, 181, 209.12,  
2/209.13, 195.1, 195.2, 195.3, 195.6, 10,  
2/422, 425; D11/75, 87, 94, 200, 210,  
D11/213, 214, 215, 216, 218, 222, 226, 229,  
D11/230, 231, 236, 237  
CPC ..... A42B 1/248; A42B 1/24; A42B 1/00;  
A42B 1/004; A42B 1/244; G09F 3/005;  
G09F 2003/0254; G09F 3/12; G09F 7/06;  
G09F 3/207  
See application file for complete search history.

D489,165 S \* 5/2004 Waters ..... D2/866  
D510,471 S \* 10/2005 Yan ..... D2/882  
7,203,971 B2 \* 4/2007 Claro ..... A42B 1/22  
2/195.2

(Continued)

**OTHER PUBLICATIONS**

Gucci—microguccissima leather belt with dog tag buckle (on-line), dated Feb. 17, 2015. Retrieved from Internet Oct. 6, 2015, URL: <https://web.archive.org/web/20150217061507/http://www.gucci.com/us/styles/322293AR41N2535> (1 page).\*

(Continued)

*Primary Examiner* — Karen E. Eldridge Powers  
*Assistant Examiner* — Kimberly Barnes  
(74) *Attorney, Agent, or Firm* — Andrus Intellectual Property Law, LLP

**CLAIM**

(57) The ornamental design for a hat, as shown and described.

**DESCRIPTION**

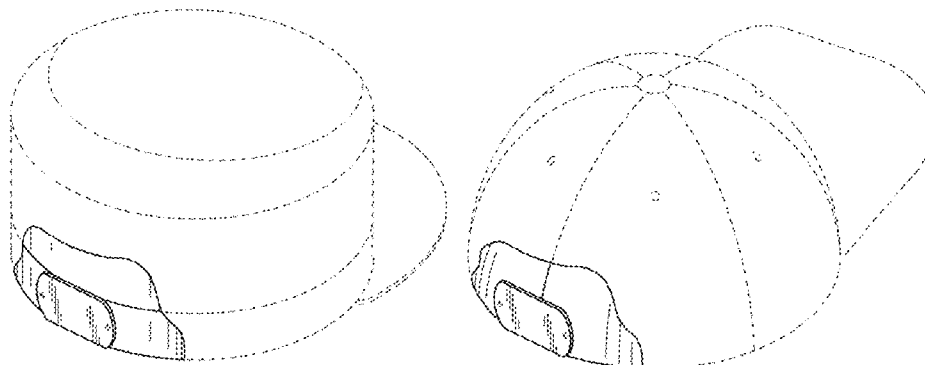
FIG. 1 is a rear perspective view of a first hat incorporating our new design;  
FIG. 2 is a rear elevation view thereof  
FIG. 3 is a front elevation view thereof;  
FIG. 4 is a right side elevation view thereof, wherein the left side elevation view is a mirror image thereto;  
FIG. 5 is a top plan view thereof; and  
FIG. 6 is a bottom plan view thereof.  
FIG. 7 is a rear perspective view of a second hat incorporating our new design;  
FIG. 8 is a rear elevation view thereof  
FIG. 9 is a front elevation view thereof;  
FIG. 10 is a right side elevation view thereof, wherein the left side elevation view is a mirror image thereto;  
FIG. 11 is a top plan view thereof; and  
FIG. 12 is a bottom plan view thereof.  
The features of the article shown in broken lines in the drawing figures illustrate environmental subject matter and form no part of the claimed design.

(56) **References Cited**

U.S. PATENT DOCUMENTS

361,717 A \* 4/1887 Postman ..... A42C 5/02  
2/181  
799,997 A \* 9/1905 MacLellan ..... G09F 3/14  
24/305  
1,408,566 A \* 3/1922 Cunningham ..... G09F 3/20  
40/649  
1,435,221 A \* 11/1922 Fischer ..... A42B 1/22  
2/195.4  
2,556,807 A \* 6/1951 Goldman ..... A42B 1/22  
2/195.4  
D290,422 S \* 6/1987 Brouman ..... D2/866  
D303,314 S \* 9/1989 Pridgen ..... D14/205  
D323,132 S \* 1/1992 Grennan ..... 223/111  
D354,842 S \* 1/1995 Imre ..... D2/891  
D395,845 S \* 7/1998 Hickbert ..... D11/95  
D430,505 S \* 9/2000 Perry ..... D11/133

**1 Claim, 6 Drawing Sheets**



(56)

References Cited

U.S. PATENT DOCUMENTS

D569,760 S \* 5/2008 Endres ..... D11/95  
 D633,410 S \* 3/2011 Walsh ..... D11/95  
 D640,866 S \* 7/2011 Schmiemann ..... D3/201  
 8,448,595 B2 \* 5/2013 Cook-Thalacker .... B42D 9/001  
 116/234  
 D685,031 S \* 6/2013 Holtz ..... D20/22  
 D690,910 S \* 10/2013 Jacquart Thorsen ..... D2/882  
 D697,288 S \* 1/2014 Pearson ..... D2/882  
 8,726,471 B1 \* 5/2014 Carney ..... A44B 11/005  
 224/163  
 D711,521 S \* 8/2014 Irvin ..... D23/366  
 D715,140 S \* 10/2014 Markle ..... D9/434  
 2006/0179696 A1 \* 8/2006 Hayes ..... G09F 3/005  
 40/586  
 2008/0109940 A1 \* 5/2008 Van Den Heuvel .... G09F 21/02  
 2/209.12  
 2008/0266837 A1 \* 10/2008 Mehler ..... F21L 4/027  
 362/103  
 2008/0272010 A1 \* 11/2008 Friedman ..... A45C 11/18

2009/0173104 A1 \* 7/2009 Shunnarah ..... A44C 3/007  
 63/1.12  
 2011/0296728 A1 \* 12/2011 Bolt ..... G09F 3/207  
 40/649  
 2013/0144175 A1 \* 6/2013 Lambert ..... A61B 5/1112  
 600/485  
 2013/0297430 A1 \* 11/2013 Soergel ..... G06Q 30/0277  
 705/14.73  
 2015/0135768 A1 \* 5/2015 Barrick ..... A44C 15/005  
 63/1.12  
 2015/0213734 A1 \* 7/2015 Glickman ..... G06K 19/06037  
 235/494  
 2015/0221242 A1 \* 8/2015 Cable ..... G09F 3/04  
 40/661.01

OTHER PUBLICATIONS

Dogzaz website (on-line), no date available. Retrieved from Internet  
 Oct. 7, 2015, URL: <https://www.dogzaz.com/products/dogzaz-cap/>  
 (2 pages).\*

\* cited by examiner

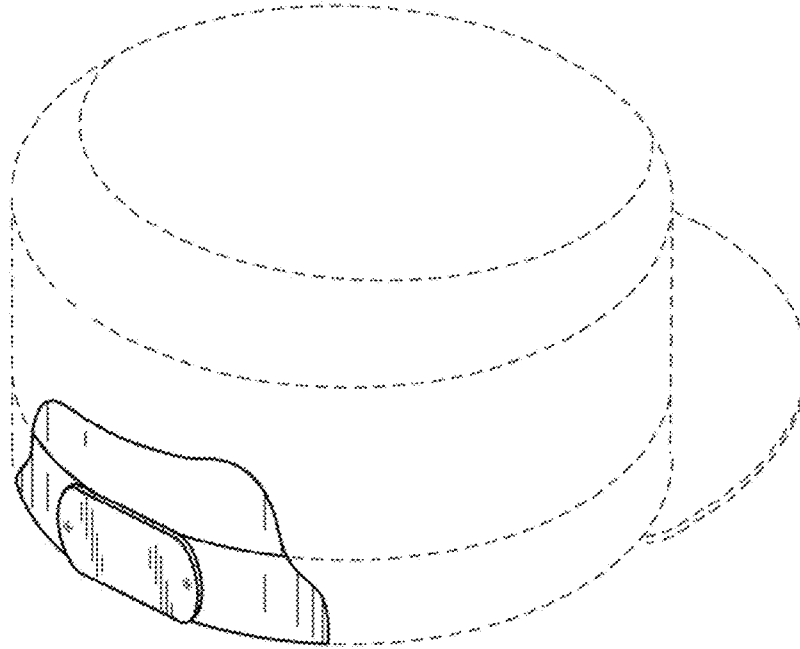


FIG. 1

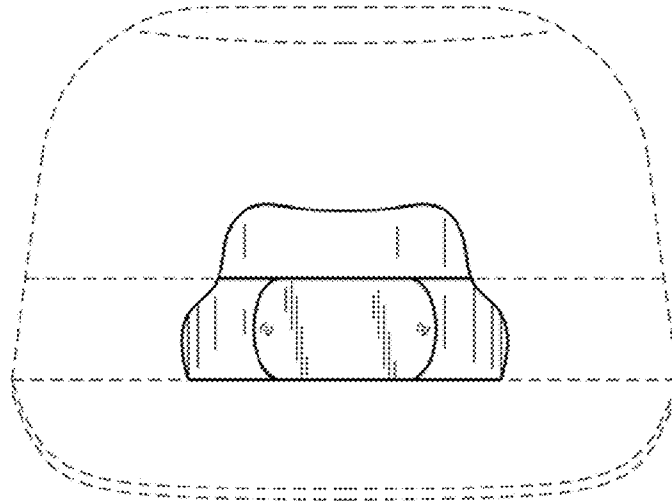


FIG. 2

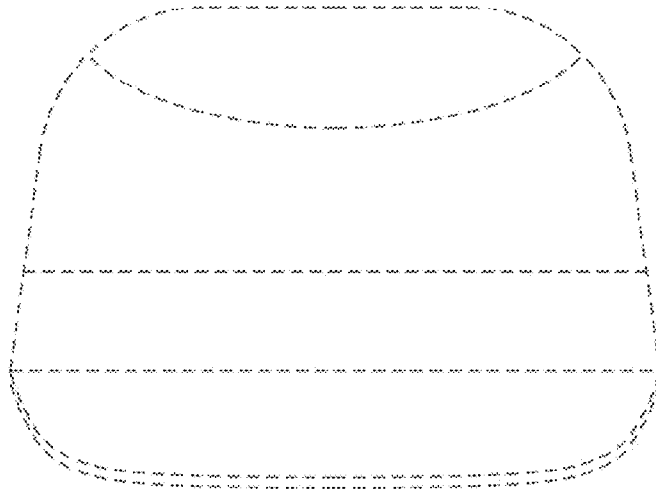


FIG. 3

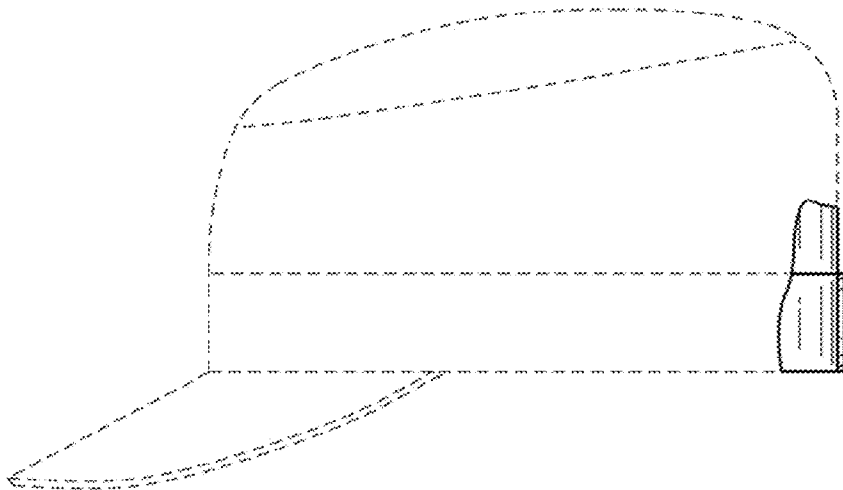


FIG. 4

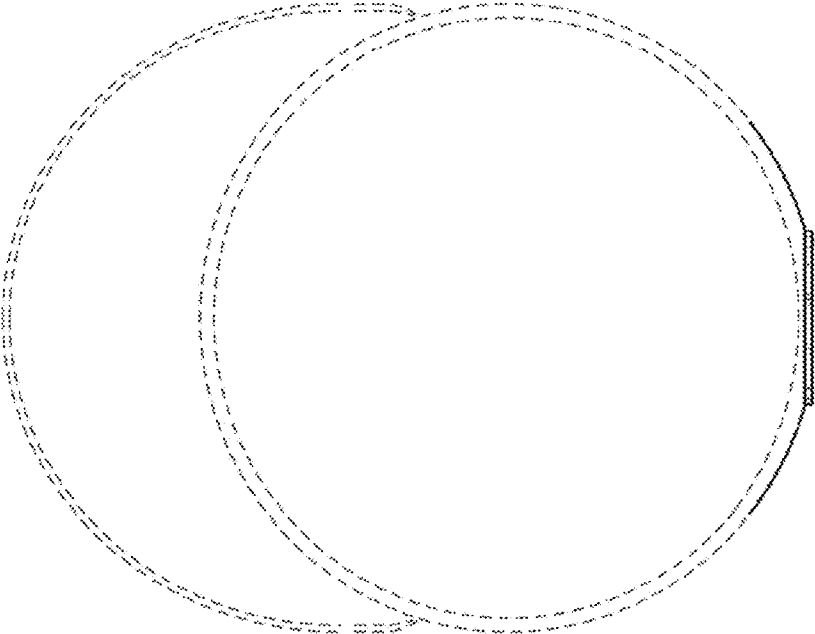


FIG. 6

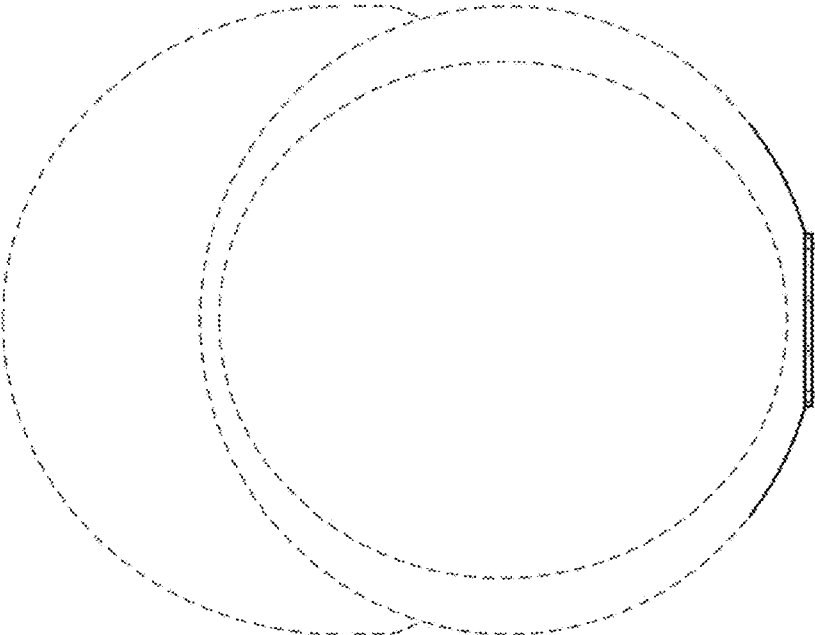


FIG. 5

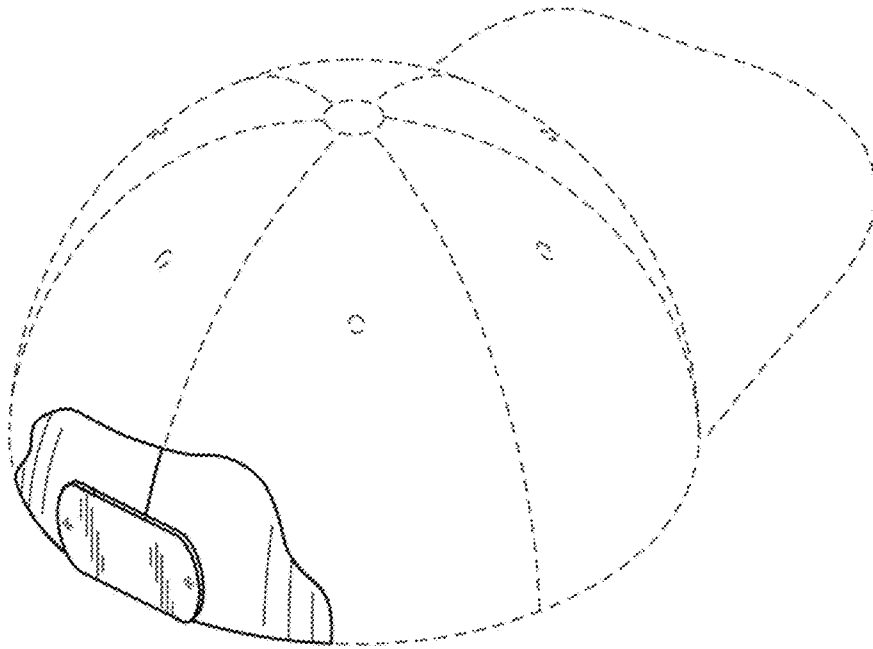


FIG. 7

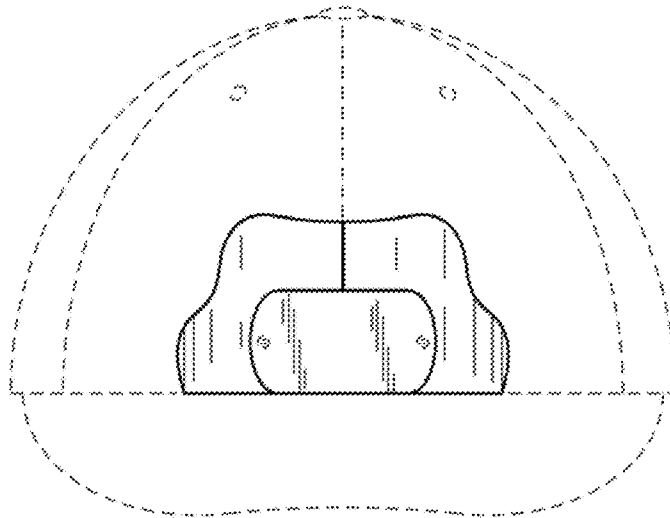


FIG. 8

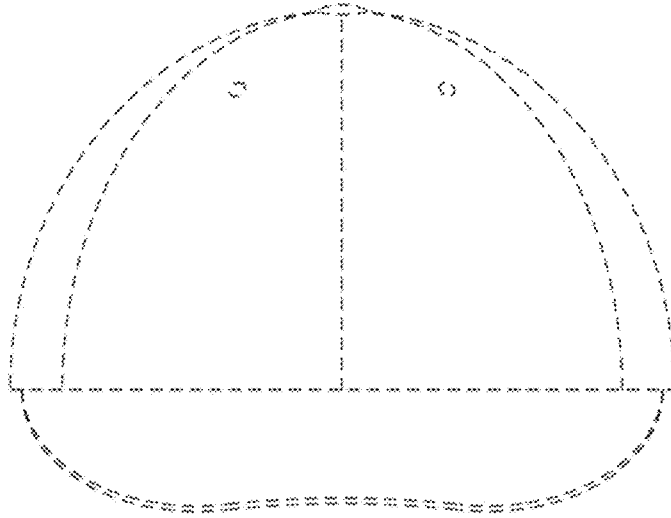


FIG. 9

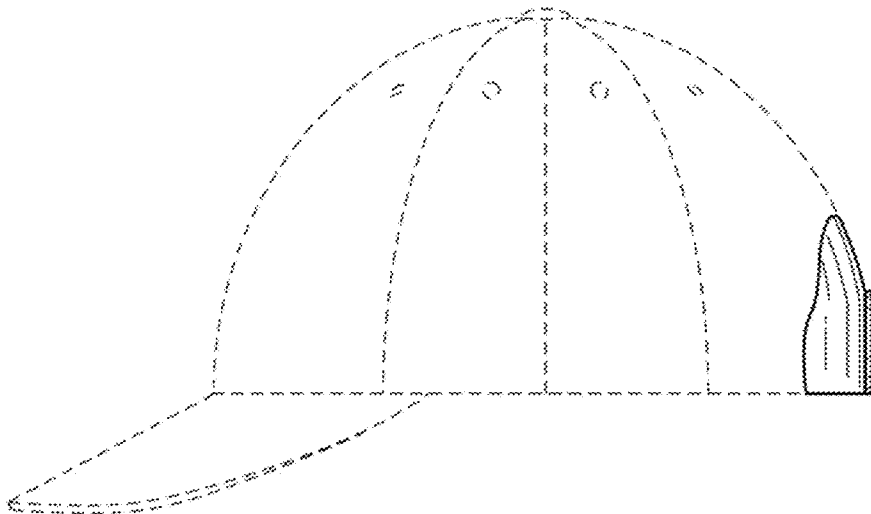


FIG. 10

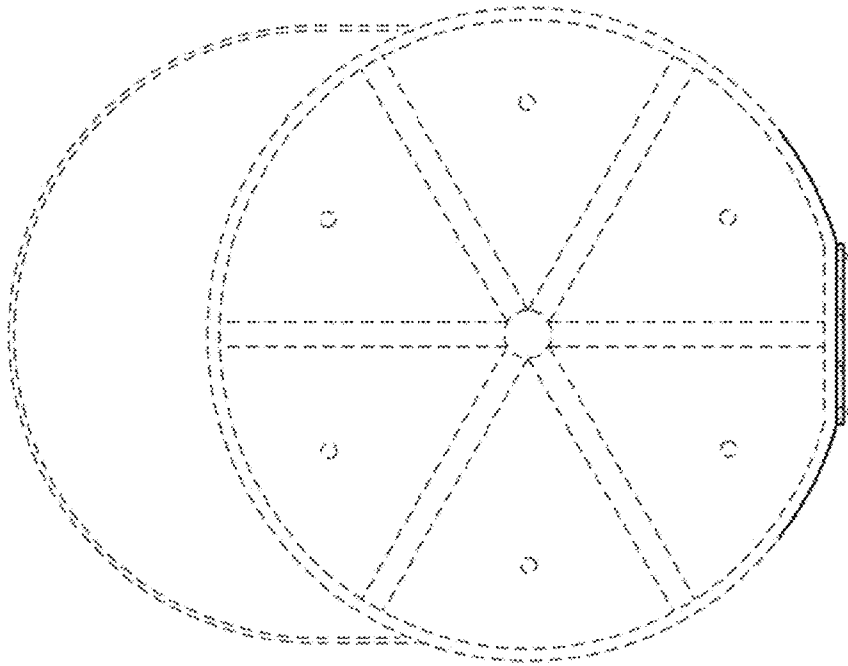


FIG. 12

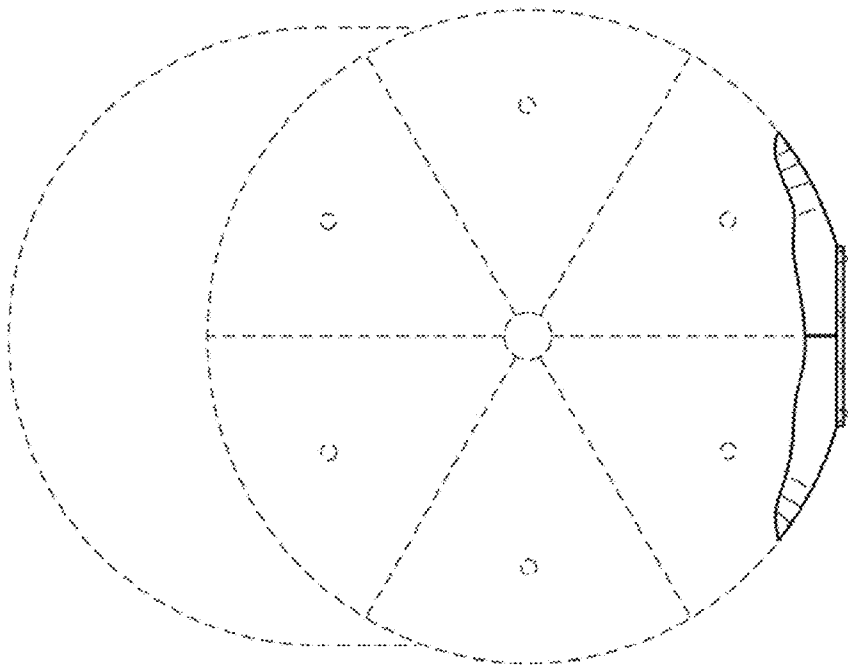


FIG. 11