



- (51) International Patent Classification:
H05B 37/02 (2006.01)
- (21) International Application Number:
PCT/US2010/001919
- (22) International Filing Date:
7 July 2010 (07.07.2010)
- (25) Filing Language: English
- (26) Publication Language: English
- (30) Priority Data:
61/224,904 12 July 2009 (12.07.2009) US
- (71) Applicant (for all designated States except US): FIRE-FLY GREEN TECHNOLOGIES INC. [US/US]; 115 Wild Basin Road, Suite 110, Austin, Texas 78746 (US).
- (72) Inventor; and
- (75) Inventor/Applicant (for US only): KNAPP, David J. [US/US]; 62 Pascal Lane, Austin, Texas 78746 (US).
- (74) Agent: PETERMAN, Brian W.; 1101 S. Capital of Texas Highway, Building C, Suite 200, Austin, Texas 78746 (US).
- (81) Designated States (unless otherwise indicated, for every kind of national protection available): AE, AG, AL, AM, AO, AT, AU, AZ, BA, BB, BG, BH, BR, BW, BY, BZ,

CA, CH, CL, CN, CO, CR, CU, CZ, DE, DK, DM, DO, DZ, EC, EE, EG, ES, FI, GB, GD, GE, GH, GM, GT, HN, HR, HU, ID, IL, IN, IS, JP, KE, KG, KM, KN, KP, KR, KZ, LA, LC, LK, LR, LS, LT, LU, LY, MA, MD, ME, MG, MK, MN, MW, MX, MY, MZ, NA, NG, NI, NO, NZ, OM, PE, PG, PH, PL, PT, RO, RS, RU, SC, SD, SE, SG, SK, SL, SM, ST, SV, SY, TH, TJ, TM, TN, TR, TT, TZ, UA, UG, US, UZ, VC, VN, ZA, ZM, ZW.

(84) Designated States (unless otherwise indicated, for every kind of regional protection available): ARIPO (BW, GH, GM, KE, LR, LS, MW, MZ, NA, SD, SL, SZ, TZ, UG, ZM, ZW), Eurasian (AM, AZ, BY, KG, KZ, MD, RU, TJ, TM), European (AL, AT, BE, BG, CH, CY, CZ, DE, DK, EE, ES, FI, FR, GB, GR, HR, HU, IE, IS, IT, LT, LU, LV, MC, MK, MT, NL, NO, PL, PT, RO, SE, SI, SK, SM, TR), OAPI (BF, BJ, CF, CG, CI, CM, GA, GN, GQ, GW, ML, MR, NE, SN, TD, TG).

- Published:
- with international search report (Art. 21(3))
- before the expiration of the time limit for amending the claims and to be republished in the event of receipt of amendments (Rule 48.2(h))
- (88) Date of publication of the international search report:
21 April 2011

(54) Title: INTELLIGENT ILLUMINATION DEVICE

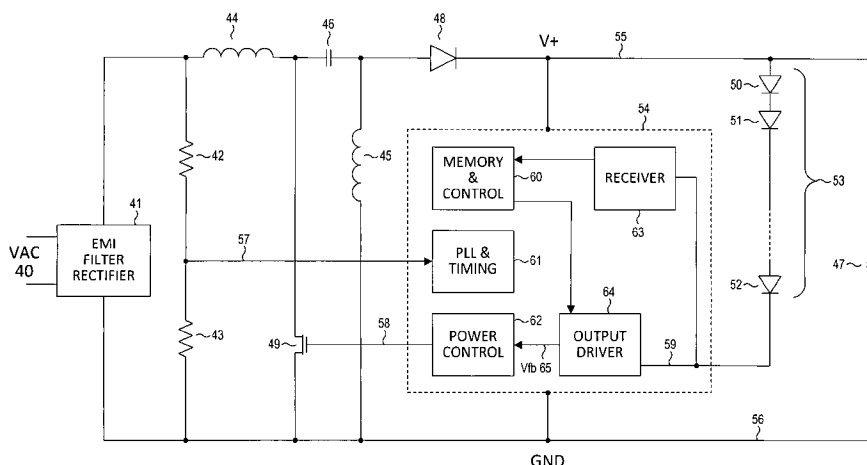


FIG. 5

(57) Abstract: Intelligent illumination device are disclosed that use components in an LED light to perform one or more of a wide variety of desirable lighting functions for very low cost. The LEDs that produce light can be periodically turned off momentarily, for a duration that the human eye cannot perceive, in order for the light to receive commands optically. The optically transmitted commands can be sent to the light, for example, using a remote control device. The illumination device can use the LEDs that are currently off to receive the data and then configure the light accordingly, or to measure light. Such light can be ambient light for a photosensor function, or light from other LEDs in the illumination device to adjust the color mix.

WO 2011/008251 A3

A. CLASSIFICATION OF SUBJECT MATTER**H05B 37/02(2006.01)i**

According to International Patent Classification (IPC) or to both national classification and IPC

B. FIELDS SEARCHED

Minimum documentation searched (classification system followed by classification symbols)

H05B 37/02; G09G 3/32; H04B 10/00; H01H 35/00; H05B 41/36

Documentation searched other than minimum documentation to the extent that such documents are included in the fields searched

Korean utility models and applications for utility models

Japanese utility models and applications for utility models

Electronic data base consulted during the international search (name of data base and, where practicable, search terms used)

eKOMPASS(KIPO internal) & Keywords: light, intelligent, illumination, "remote control", "power saving", programmable, LED

C. DOCUMENTS CONSIDERED TO BE RELEVANT

Category*	Citation of document, with indication, where appropriate, of the relevant passages	Relevant to claim No.
A	US 2008-0265799 A1 (SIBERT, W. OLIN) 30 October 2008 See abstract, figures 1-16 and their corresponding explanations.	1-58
A	JP 2001-514432 A (COLOR KINETICS INCORPORATED) 11 September 2001 See abstract, figures 1-9 and their corresponding explanations.	1-58
A	JP 06-302384 A (MATSUSHITA ELECTRIC WORKS LTD.) 28 October 1994 See abstract, figures 1-2 and their corresponding explanations.	1-58
A	JP 11-025822 A (MATSUSHITA ELECTRIC WORKS LTD.) 29 January 1999 See abstract, figures 1-9 and their corresponding explanations.	1-58
A	US 2008-0297070 A1 (KUENZLER, UDO et al.) 04 December 2008 See abstract, figures 1-4 and their corresponding explanations.	1-58

 Further documents are listed in the continuation of Box C. See patent family annex.

* Special categories of cited documents:

"A" document defining the general state of the art which is not considered to be of particular relevance

"E" earlier application or patent but published on or after the international filing date

"L" document which may throw doubts on priority claim(s) or which is cited to establish the publication date of citation or other special reason (as specified)

"O" document referring to an oral disclosure, use, exhibition or other means

"P" document published prior to the international filing date but later than the priority date claimed

"T" later document published after the international filing date or priority date and not in conflict with the application but cited to understand the principle or theory underlying the invention

"X" document of particular relevance; the claimed invention cannot be considered novel or cannot be considered to involve an inventive step when the document is taken alone

"Y" document of particular relevance; the claimed invention cannot be considered to involve an inventive step when the document is combined with one or more other such documents, such combination being obvious to a person skilled in the art

"&" document member of the same patent family

Date of the actual completion of the international search

23 FEBRUARY 2011 (23.02.2011)

Date of mailing of the international search report

24 FEBRUARY 2011 (24.02.2011)

Name and mailing address of the ISA/KR

Korean Intellectual Property Office
Government Complex-Daejeon, 139 Seonsa-ro, Seo-gu, Daejeon 302-701, Republic of Korea

Facsimile No. 82-42-472-7140

Authorized officer

SHIN, Yeong Kyo

Telephone No. 82-42-481-5227



INTERNATIONAL SEARCH REPORT

Information on patent family members

International application No.

PCT/US2010/001919

Patent document cited in search report	Publication date	Patent family member(s)	Publication date
US 2008-0265799 A1	30.10.2008	None	
JP 2001-514432 A	11.09.2001	AU 1998-92060 B2	30.01.2003
		AU 1999-53129 A1	17.01.2000
		AU 2001-291111 A8	02.04.2002
		AU 2001-59134 A1	07.11.2001
		AU 2001-91111 A1	02.04.2002
		AU 2002-310434 A8	23.12.2002
		AU 2002-346802 A8	16.12.2002
		AU 2002-360721 A1	09.07.2003
		AU 2003-265764 A1	19.03.2004
		CA 2302227 A1	04.03.1999
		CA 2302227 C	27.07.2004
		CA 2314163 A1	24.06.1999
		CA 2314163 C	23.09.2008
		CA 2336184 A1	06.01.2000
		CA 2403038 A1	12.04.2003
		CA 2403038 C	08.09.2009
		CA 2466717 A1	04.03.1999
		CA 2466717 C	26.01.2010
		CN 1228201 C0	23.11.2005
		CN 1412045 A0	23.04.2003
		EP 1016062 A1	05.07.2000
		EP 1016062 B1	07.08.2002
		EP 1040398 A2	04.10.2000
		EP 1090459 A2	11.04.2001
		EP 1172748 A2	16.01.2002
		EP 1172748 A3	10.03.2004
		EP 1195740 A2	10.04.2002
		EP 1195740 A3	22.01.2003
		EP 1287724 A1	05.03.2003
		EP 1337784 A2	27.08.2003
		EP 1337784 B1	17.06.2009
		EP 1356610 A2	29.10.2003
		EP 1388276 A2	11.02.2004
		EP 1393599 A2	03.03.2004
		EP 1393599 B1	05.05.2010
		EP 1395975 A2	10.03.2004
		EP 1422975 A1	26.05.2004
		EP 1422975 A8	16.01.2008
		EP 1422975 B1	14.04.2010
		EP 1428415 A1	16.06.2004
		EP 1459600 A2	22.09.2004
		EP 1535495 A2	01.06.2005
		EP 1535495 B1	13.01.2010
		EP 1887836 A2	13.02.2008
		EP 1887836 A3	28.04.2010
		GB 2381064 A	23.04.2003
		JP 03908501 B2	25.04.2007

INTERNATIONAL SEARCH REPORT

Information on patent family members

International application No.

PCT/US2010/001919

Patent document cited in search report	Publication date	Patent family member(s)	Publication date
		JP 04173091 B2	29.10.2008
		JP 04208576 B2	14.01.2009
		JP 04230236 B2	25.02.2009
		JP 04351040 B2	31.07.2009
		JP 04451899 B2	05.02.2010
		JP 04474457 B2	12.03.2010
		JP 04518793 B2	28.05.2010
		JP 2002-519989 A	02.07.2002
		JP 2003-118481 A	23.04.2003
		JP 2003-531467 A	21.10.2003
		JP 2004-006253 A	08.01.2004
		JP 2004-511878 A	15.04.2004
		JP 2004-529455 A	24.09.2004
		JP 2004-534355 A	11.11.2004
		JP 2004-534356 A	11.11.2004
		JP 2005-504411 A	10.02.2005
		JP 2005-509245 A	07.04.2005
		JP 2005-510007 A	14.04.2005
		JP 2005-528733 A	22.09.2005
		JP 2005-537613 A	08.12.2005
		JP 2008-034385 A	14.02.2008
		JP 2008-078162 A	03.04.2008
		JP 2009-070832 A	02.04.2009
		JP 2009-152213 A	09.07.2009
		JP 2009-187951 A	20.08.2009
		JP 2009-200046 A	03.09.2009
		US 06016038A A	18.01.2000
		US 06150774A A	21.11.2000
		US 06166496A A	26.12.2000
		US 2001-0028227 A1	11.10.2001
		US 2002-0038157 A1	28.03.2002
		US 2002-0043938 A1	18.04.2002
		US 2002-0044066 A1	18.04.2002
		US 2002-0047569 A1	25.04.2002
		US 2002-0047628 A1	25.04.2002
		US 2002-047646 A1	25.04.2002
		US 2002-048169 A1	25.04.2002
		US 2002-057061 A1	16.05.2002
		US 2002-070688 A1	13.06.2002
		US 2002-074559 A1	20.06.2002
		US 2002-078221 A1	20.06.2002
		US 2002-101197 A1	01.08.2002
		US 2002-101200 A1	01.08.2002
		US 2002-113555 A1	22.08.2002
		US 2002-130627 A1	19.09.2002
		US 2002-145394 A1	10.10.2002
		US 2002-152045 A1	17.10.2002
		US 2002-153851 A1	24.10.2002
		US 2002-158583 A1	31.10.2002
		US 2002-163316 A1	07.11.2002

INTERNATIONAL SEARCH REPORT

Information on patent family members

International application No.

PCT/US2010/001919

Patent document cited in search report	Publication date	Patent family member(s)	Publication date
		US 2002-171365 A1	21. 11. 2002
		US 2002-171377 A1	21. 11. 2002
		US 2002-171378 A1	21. 11. 2002
		US 2002-176259 A1	28. 11. 2002
		US 2002-195975 A1	26. 12. 2002
		US 2003-011538 A1	16. 01. 2003
		US 2003-028260 A1	06. 02. 2003
		US 2003-057884 A1	27. 03. 2003
		US 2003-057886 A1	27. 03. 2003
		US 2003-057887 A1	27. 03. 2003
		US 2003-057890 A1	27. 03. 2003
		US 2003-072166 A1	17. 04. 2003
		US 2003-076281 A1	24. 04. 2003
		US 2003-100837 A1	29. 05. 2003
		US 2003-133292 A1	17. 07. 2003
		US 2003-137258 A1	24. 07. 2003
		US 2003-206411 A9	06. 11. 2003
		US 2003-214259 A9	20. 11. 2003
		US 2003-222587 A1	04. 12. 2003
		US 2004-032226 A1	19. 02. 2004
		US 2004-052076 A1	18. 03. 2004
		US 2004-090191 A1	13. 05. 2004
		US 2004-105261 A1	03. 06. 2004
		US 2004-113568 A1	17. 06. 2004
		US 2004-130909 A1	08. 07. 2004
		US 2004-155609 A1	12. 08. 2004
		US 2004-160199 A1	19. 08. 2004
		US 2004-178751 A1	16. 09. 2004
		US 2004-212320 A1	28. 10. 2004
		US 2004-212321 A1	28. 10. 2004
		US 2004-212993 A1	28. 10. 2004
		US 2004-240890 A1	02. 12. 2004
		US 2004-257007 A1	23. 12. 2004
		US 2005-030744 A1	10. 02. 2005
		US 2005-035728 A1	17. 02. 2005
		US 2005-036300 A1	17. 02. 2005
		US 2005-040774 A1	24. 02. 2005
		US 2005-041161 A1	24. 02. 2005
		US 2005-041424 A1	24. 02. 2005
		US 2005-044617 A1	03. 03. 2005
		US 2005-047132 A1	03. 03. 2005
		US 2005-047134 A1	03. 03. 2005
		US 2005-062440 A1	24. 03. 2005
		US 2005-063194 A1	24. 03. 2005
		US 2005-099824 A1	12. 05. 2005
		US 2005-116667 A1	02. 06. 2005
		US 2005-151489 A1	14. 07. 2005
		US 2005-174473 A1	11. 08. 2005
		US 2005-236998 A1	27. 10. 2005
		US 2005-248299 A1	10. 11. 2005

INTERNATIONAL SEARCH REPORT

Information on patent family members

International application No.

PCT/US2010/001919

Patent document cited in search report	Publication date	Patent family member(s)	Publication date
		US 2005-253533 A1	17. 11. 2005
		US 2005-275626 A1	15. 12. 2005
		US 2005-285547 A1	29. 12. 2005
		US 2006-012987 A9	19. 01. 2006
		US 2006-109649 A1	25. 05. 2006
		US 2006-208667 A1	21. 09. 2006
		US 2006-262516 A9	23. 11. 2006
		US 2006-285325 A1	21. 12. 2006
		US 2007-047227 A1	01. 03. 2007
		US 2007-086754 A1	19. 04. 2007
		US 2007-086912 A1	19. 04. 2007
		US 2007-115658 A1	24. 05. 2007
		US 2007-115665 A1	24. 05. 2007
		US 2007-188427 A1	16. 08. 2007
		US 2007-189026 A1	16. 08. 2007
		US 2007-195526 A1	23. 08. 2007
		US 2007-206375 A1	06. 09. 2007
		US 2007-236156 A1	11. 10. 2007
		US 2007-237284 A1	11. 10. 2007
		US 2007-258240 A1	08. 11. 2007
		US 2007-291483 A1	20. 12. 2007
		US 2008-012506 A1	17. 01. 2008
		US 2008-130267 A1	05. 06. 2008
		US 2008-140231 A1	12. 06. 2008
		US 2008-183081 A1	31. 07. 2008
		US 2008-204268 A1	28. 08. 2008
		US 2008-215391 A1	04. 09. 2008
		US 6211626 B1	03. 04. 2001
		US 6292901 B1	18. 09. 2001
		US 6340868 B1	22. 01. 2002
		US 6459919 B1	01. 10. 2002
		US 6528954 B1	04. 03. 2003
		US 6548967 B1	15. 04. 2003
		US 6577080 B2	10. 06. 2003
		US 6608453 B2	19. 08. 2003
		US 6624597 B2	23. 09. 2003
		US 6717376 B2	06. 04. 2004
		US 6720745 B2	13. 04. 2004
		US 6746139 B2	08. 06. 2004
		US 6774584 B2	10. 08. 2004
		US 6777891 B2	17. 08. 2004
		US 6781329 B2	24. 08. 2004
		US 6788011 B2	07. 09. 2004
		US 6801003 B2	05. 10. 2004
		US 6806659 B1	19. 10. 2004
		US 6869204 B2	22. 03. 2005
		US 6888322 B2	03. 05. 2005
		US 6897624 B2	24. 05. 2005
		US 6936978 B2	30. 08. 2005
		US 6965205 B2	15. 11. 2005

INTERNATIONAL SEARCH REPORT

Information on patent family members

International application No.

PCT/US2010/001919

Patent document cited in search report	Publication date	Patent family member(s)	Publication date
		US 6967448 B2	22.11.2005
		US 6969954 B2	29.11.2005
		US 6975079 B2	13.12.2005
		US 7014336 B1	21.03.2006
		US 7031920 B2	18.04.2006
		US 7038398 B1	02.05.2006
		US 7038399 B2	02.05.2006
		US 7042172 B2	09.05.2006
		US 7064498 B2	20.06.2006
		US 7113541 B1	26.09.2006
		US 7132785 B2	07.11.2006
		US 7132804 B2	07.11.2006
		US 7135824 B2	14.11.2006
		US 7139617 B1	21.11.2006
		US 7161311 B2	09.01.2007
		US 7161313 B2	09.01.2007
		US 7161556 B2	09.01.2007
		US 7180252 B2	20.02.2007
		US 7186003 B2	06.03.2007
		US 7187141 B2	06.03.2007
		US 7202613 B2	10.04.2007
		US 7221104 B2	22.05.2007
		US 7228190 B2	05.06.2007
		US 7231060 B2	12.06.2007
		US 7233831 B2	19.06.2007
		US 7242152 B2	10.07.2007
		US 7248239 B2	24.07.2007
		US 7253566 B2	07.08.2007
		US 7255457 B2	14.08.2007
		US 7274160 B2	25.09.2007
		US 7300192 B2	27.11.2007
		US 7303300 B2	04.12.2007
		US 7308296 B2	11.12.2007
		US 7309965 B2	18.12.2007
		US 7350936 B2	01.04.2008
		US 7352138 B2	01.04.2008
		US 7352339 B2	01.04.2008
		US 7353071 B2	01.04.2008
		US 7358679 B2	15.04.2008
		US 7358929 B2	15.04.2008
		US 7385359 B2	10.06.2008
		US 7387405 B2	17.06.2008
		US 7427840 B2	23.09.2008
		US 7449847 B2	11.11.2008
		US 7453217 B2	18.11.2008
		US 7462997 B2	09.12.2008
		US 7482764 B2	27.01.2009
		US 7495671 B2	24.02.2009
		US 7502034 B2	10.03.2009
		US 7520634 B2	21.04.2009

INTERNATIONAL SEARCH REPORT

Information on patent family members

International application No.

PCT/US2010/001919

Patent document cited in search report	Publication date	Patent family member(s)	Publication date
		US 7525254 B2	28.04.2009
		US 7550931 B2	23.06.2009
		US 7550935 B2	23.06.2009
		US 7572028 B2	11.08.2009
		US 7598681 B2	06.10.2009
		US 7598684 B2	06.10.2009
		US 7598686 B2	06.10.2009
		US 7642730 B2	05.01.2010
		US 7652436 B2	26.01.2010
		US 7659674 B2	09.02.2010
		US 7764026 B2	27.07.2010
		US 7809448 B2	05.10.2010
		US 7845823 B2	07.12.2010
JP 06-302384 A	28.10.1994	None	
JP 11-025822 A	29.01.1999	None	
US 2008-0297070 A1	04.12.2008	None	