



US00D883548S

(12) **United States Design Patent**  
**Hand et al.**

(10) **Patent No.:** **US D883,548 S**

(45) **Date of Patent:** **\*\* May 5, 2020**

(54) **LIGHT FIXTURE WITH ROTATABLE END**

5,980,057 A 11/1999 Christie  
6,343,135 B1 1/2002 Ellero et al.  
6,443,592 B1 9/2002 Unger et al.  
D520,667 S \* 5/2006 Jae-Sung ..... D26/25  
(Continued)

(71) Applicant: **ABL IP Holding LLC**, Atlanta, GA  
(US)

(72) Inventors: **Mitchell C. Hand**, McDonough, GA  
(US); **David P. Zizzi**, Atlanta, GA (US)

(73) Assignee: **ABL IP Holding LLC**, Atlanta, GA  
(US)

(\*\*) Term: **15 Years**

(21) Appl. No.: **29/645,573**

(22) Filed: **Apr. 27, 2018**

(51) **LOC (12) Cl.** ..... **26-05**

(52) **U.S. Cl.**  
USPC ..... **D26/63**

(58) **Field of Classification Search**

USPC ..... D26/1, 24, 44, 61, 63, 76, 81, 83, 109,  
D26/119, 122; D10/104.1, 114.1, 114.2,  
D10/114.4  
CPC ..... F21V 21/30; F21V 21/02; F21V 21/03;  
F21V 21/008; F21V 21/047; F21V 3/00;  
F21V 3/02; F21V 3/049; F21W 2131/10;  
F21W 2131/20; F21W 2131/40; F21W  
2131/101; F21W 2131/103; F21W  
2131/406; F21W 2131/1005

See application file for complete search history.

(56) **References Cited**

**U.S. PATENT DOCUMENTS**

D274,657 S \* 7/1984 Herst ..... D26/76  
D312,136 S \* 11/1990 Miletich ..... D26/24  
5,058,169 A 10/1991 Temmer  
D344,605 S \* 2/1994 Aspenwall ..... D26/76  
D348,947 S \* 7/1994 Holcomb ..... D26/76  
D356,647 S \* 3/1995 Jung ..... D26/24  
D384,763 S \* 10/1997 Roorda ..... D26/24  
5,868,489 A 2/1999 Fuller et al.

**OTHER PUBLICATIONS**

U.S. Appl. No. 15/945,087, "Non-Final Office Action," dated Jun. 3, 2019, 7 pages.

(Continued)

*Primary Examiner* — Wan Laymon

*Assistant Examiner* — Clint A Samuel

(74) *Attorney, Agent, or Firm* — Kilpatrick Townsend & Stockton LLP

(57) **CLAIM**

The ornamental design for a light fixture with rotatable end, as shown and described.

**DESCRIPTION**

FIG. 1 is a perspective view of a light fixture with rotatable end showing our new design with the rotatable end in a first orientation;

FIG. 2 is a front elevational view thereof;

FIG. 3 is a rear elevational view thereof;

FIG. 4 is a right side elevational view thereof;

FIG. 5 is a left side elevational view thereof;

FIG. 6 is a top plan view thereof;

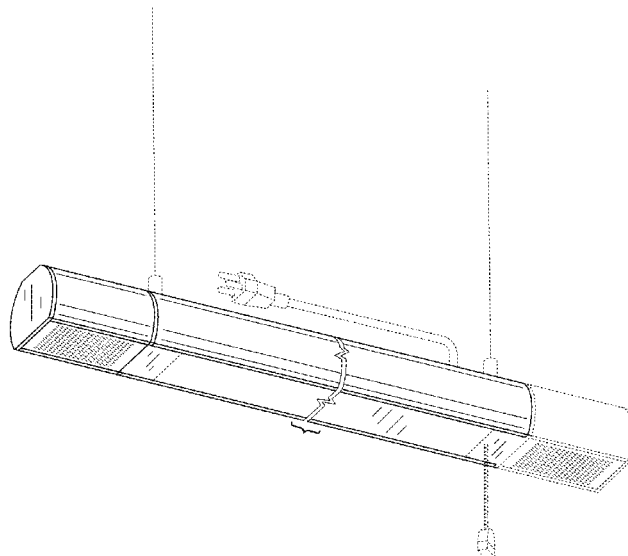
FIG. 7 is a bottom plan view thereof; and,

FIG. 8 is an additional perspective view of the light fixture with rotatable end showing the rotatable end in a second orientation.

The broken line disclosure—including the grille depicted on the rotatable end—represents portions of the fixture which form no part of the claimed design.

The light fixture with rotatable end is shown with a symbolic break in its length. The appearance of any portion of the article between the break lines forms no part of the claimed design.

**1 Claim, 4 Drawing Sheets**



(56)

References Cited

U.S. PATENT DOCUMENTS

7,351,075 B1 4/2008 Patterson et al.  
 7,455,435 B2 11/2008 Mathews et al.  
 7,467,881 B2 12/2008 McMillen  
 7,604,378 B2 10/2009 Wolf et al.  
 D611,645 S \* 3/2010 Copeland ..... D26/76  
 7,766,518 B2 8/2010 Piepgras et al.  
 7,784,957 B2 8/2010 Wright  
 7,844,060 B2 11/2010 Zulkowski  
 D633,640 S \* 3/2011 Wauters ..... D26/76  
 7,938,562 B2 5/2011 Ivey et al.  
 D646,003 S \* 9/2011 Wang ..... D26/24  
 8,042,961 B2 10/2011 Massara et al.  
 8,096,678 B2 1/2012 Jones, III et al.  
 8,172,435 B2 5/2012 Spiro et al.  
 8,229,155 B2 7/2012 Maurer et al.  
 8,251,544 B2 8/2012 Ivey et al.  
 8,259,980 B2 9/2012 Maurer et al.  
 8,282,227 B2 10/2012 Massara et al.  
 8,299,903 B2 10/2012 Haase et al.  
 8,300,869 B2 10/2012 Marlin et al.  
 8,351,639 B2 1/2013 Chang  
 8,351,640 B2 1/2013 Chang  
 8,562,158 B2 10/2013 Chien  
 D693,047 S \* 11/2013 Haumann ..... D26/76  
 8,628,216 B2 1/2014 Ivey et al.  
 8,641,241 B2 2/2014 Farmer  
 8,666,104 B2 3/2014 Ivey et al.  
 8,711,216 B2 4/2014 Chien  
 D704,372 S \* 5/2014 Speier ..... D26/122  
 8,760,514 B2 6/2014 Chien  
 D710,725 S \* 8/2014 Laarman ..... D10/114.2  
 8,847,491 B2 9/2014 Yotsumoto et al.  
 D727,550 S \* 4/2015 Clark ..... D26/88  
 8,998,441 B2 4/2015 Kim  
 9,081,269 B2 7/2015 Conti  
 9,115,886 B2 8/2015 Lam et al.  
 9,143,741 B1 9/2015 Fu et al.  
 9,163,816 B2 10/2015 Baschnagel  
 9,172,917 B1 10/2015 Fu et al.  
 9,197,865 B2 11/2015 Chien  
 9,228,708 B2 1/2016 Dings et al.  
 9,236,767 B2 1/2016 Recker et al.  
 9,267,675 B2 2/2016 Wu  
 D751,237 S \* 3/2016 Ferrier ..... D26/90  
 9,294,828 B2 3/2016 Rutherford  
 D754,902 S \* 4/2016 Parker ..... D26/76  
 D756,022 S \* 5/2016 Shipman ..... D26/113  
 9,328,882 B2 5/2016 Spiro et al.  
 9,351,353 B2 5/2016 Recker et al.  
 9,353,939 B2 5/2016 Simon et al.  
 9,398,357 B2 7/2016 Berkman et al.  
 9,407,074 B2 8/2016 Cowles et al.  
 9,414,142 B1 8/2016 Zauhar et al.  
 9,441,634 B2 9/2016 Spiro  
 D775,393 S \* 12/2016 Adams ..... D26/63  
 9,549,110 B2 1/2017 Chien  
 9,560,322 B2 1/2017 Chien  
 D779,354 S \* 2/2017 Deyaf ..... D10/114.4  
 9,574,763 B2 2/2017 Chen  
 D783,877 S \* 4/2017 Liu ..... D26/76  
 9,651,243 B1 5/2017 Springer

9,654,678 B1 5/2017 Fu et al.  
 9,668,053 B1 5/2017 Rivera et al.  
 9,739,472 B1 8/2017 Li  
 9,746,138 B1 8/2017 Thomas  
 9,750,118 B2 8/2017 Yotsumoto et al.  
 9,784,417 B1 10/2017 Springer  
 9,794,690 B2 10/2017 Wang et al.  
 9,820,024 B1 11/2017 Rolf  
 9,826,298 B2 11/2017 Sun et al.  
 D805,235 S \* 12/2017 Waldmann ..... D26/76  
 9,838,652 B2 12/2017 Chien  
 9,848,265 B2 12/2017 Wen et al.  
 9,851,092 B2 12/2017 Yotsumoto et al.  
 D806,926 S \* 1/2018 Goetz-Schaefer ..... D26/76  
 D808,059 S \* 1/2018 Li ..... D26/76  
 D850,698 S \* 6/2019 Prats ..... D26/76  
 D859,199 S \* 9/2019 Goltche ..... D10/114.4  
 2005/0168999 A1 \* 8/2005 Sommers ..... F21V 21/26  
 362/427  
 2008/0130938 A1 6/2008 Wan  
 2010/0296685 A1 11/2010 Carle, Jr. et al.  
 2011/0176297 A1 7/2011 Hsia et al.  
 2012/0062129 A1 3/2012 Szoradi et al.  
 2014/0049939 A1 2/2014 Kuenzler et al.  
 2015/0330587 A1 11/2015 Lax et al.  
 2016/0134846 A1 5/2016 Miller et al.  
 2016/0154171 A1 6/2016 Kato et al.  
 2016/0215933 A1 7/2016 Skelton et al.  
 2016/0234414 A1 8/2016 Chen  
 2016/0241823 A1 8/2016 Blaser et al.  
 2016/0334082 A1 11/2016 Chen  
 2017/0045208 A1 2/2017 Lentine  
 2017/0051894 A1 \* 2/2017 Farrell ..... F21V 15/015  
 2017/0054315 A1 2/2017 Chien  
 2017/0187154 A1 6/2017 Skelton et al.  
 2017/0198867 A1 7/2017 Bilan et al.  
 2017/0311062 A1 10/2017 Garrett et al.  
 2017/0366886 A1 12/2017 Bernier

OTHER PUBLICATIONS

“Eaton”, Model# 4SHP3240BTS, Available Online at: [http://www.cooperindustries.com/content/public/en/lighting/products/shoplights/\\_919894.html](http://www.cooperindustries.com/content/public/en/lighting/products/shoplights/_919894.html), Oct. 2017, 2 pages.  
 “Energetic Lighting”, Model# 57001, Available Online at: <https://www.energeticlighting.com/Series/Index/55>, Dec. 2017, 1 page.  
 “Model# OYET2023”, Available Online at: <https://shop-oye.com/special-led-lights/11978-bluetooth-led-ceiling-light-play-music-bluetooth-connection-mobile-application-36w-3000-lumens-millions-of-colors-oye-team-oye-team.html>, Dec. 2017, 2 pages.  
 “The Home Depot”, Model# 54264141, Available Online at: <https://www.homedepot.com/p/Commercial-Electric-50-Watt-3500-Lumens-4000K-Bright-White-40-in-White-Integrated-LED-Shoplight-with-Bluetooth-Speakers-54569141/207077391?>, Oct. 2016, 6 pages.  
 “IAV LightSpeaker review: Best light best speaker”, Available online at: <http://www.techhive.com/article/2984809/lighting/lightspeaker-review-best-light-best-speaker-but-its-not-the-best-lightspeaker.html>, Sep. 21, 2015, 4 pages.  
 “Klipsch LightSpeaker System 5.2.2 Wireless Sound and Efficient LED Lighting”, Available online at: <http://www.klipsch.com/products/lightspeaker-in-ceiling-lighting-and-audio-system>, 2018, 3 pages.

\* cited by examiner

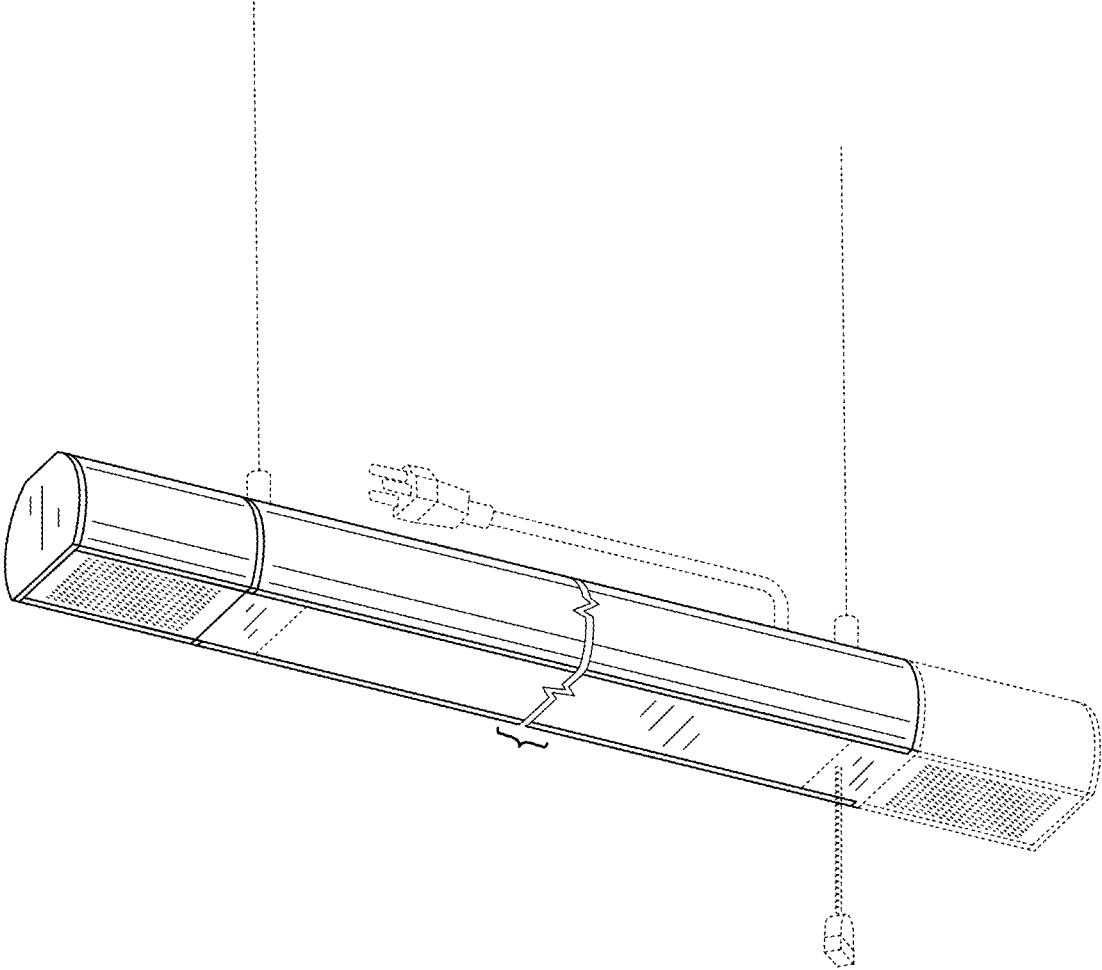


FIG.1

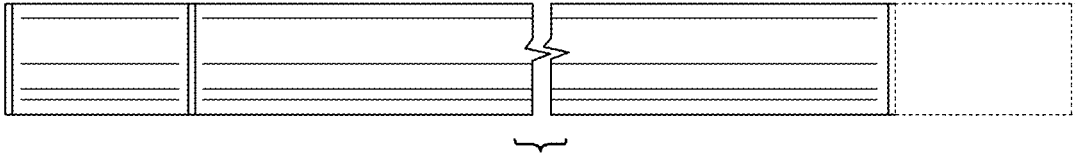


FIG. 2

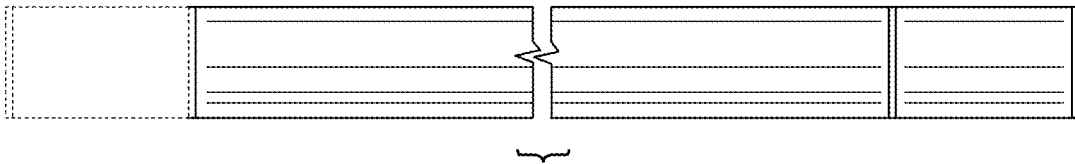


FIG. 3



FIG. 4

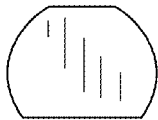


FIG. 5

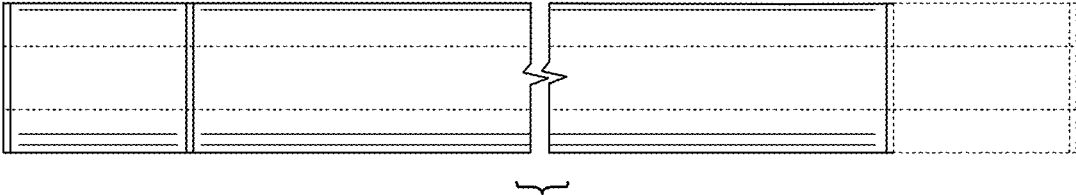


FIG. 6

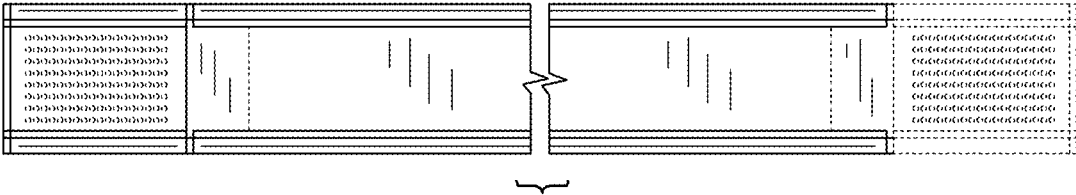


FIG. 7

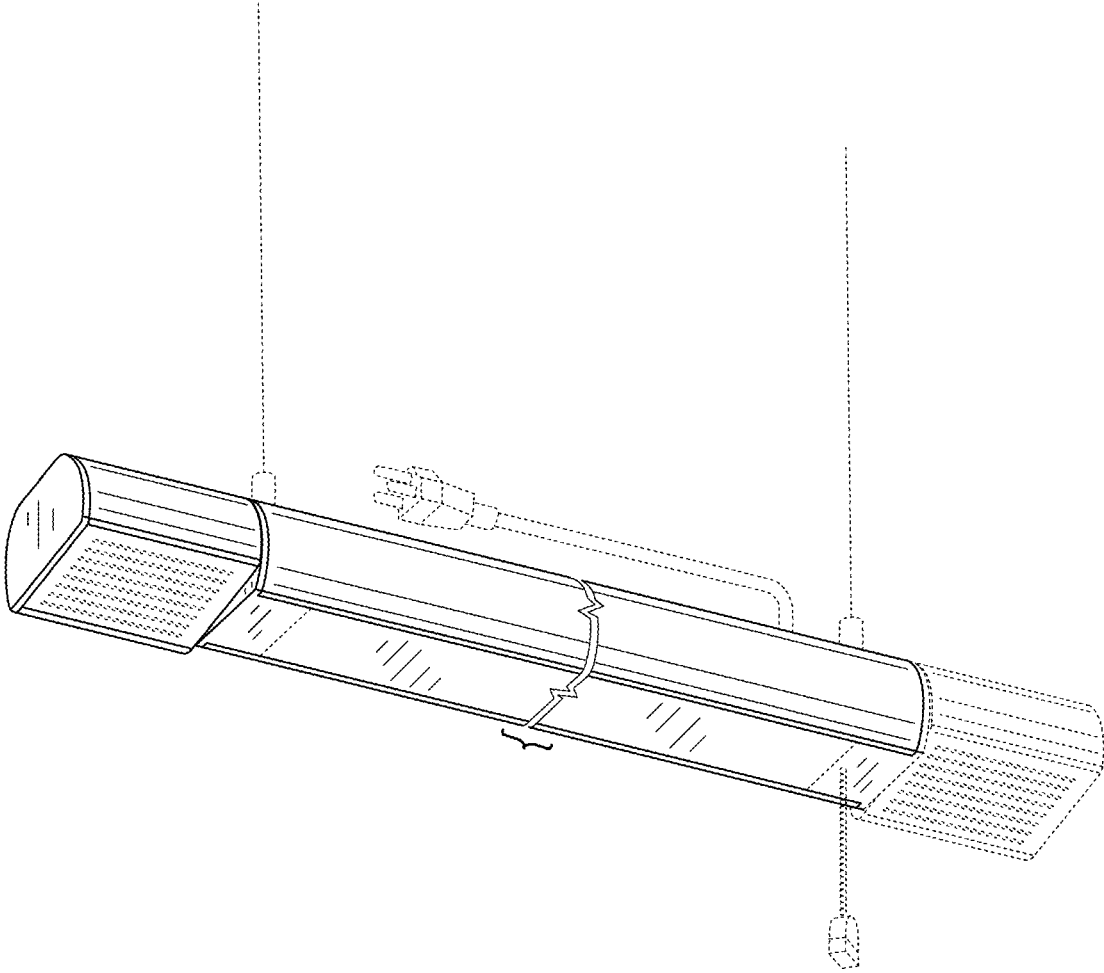


FIG.8