



US00D511685S

(12) **United States Design Patent**  
**Choi**

(10) **Patent No.:** **US D511,685 S**

(45) **Date of Patent:** **\*\* Nov. 22, 2005**

(54) **DISPENSING LID**

6,766,919 B2 \* 7/2004 Huang et al. .... 221/63  
6,889,867 B1 \* 5/2005 Smith ..... 221/33

(75) **Inventor:** **Carol Choi, Irvine, CA (US)**

**OTHER PUBLICATIONS**

(73) **Assignee:** **United Exchange Corporation,**  
**Cerritos, CA (US)**

The file history of U.S. Design Patent No. D471,456S.

(\*\*) **Term:** **14 Years**

\* cited by examiner

(21) **Appl. No.:** **29/197,876**

*Primary Examiner*—Robert M. Spear

*Assistant Examiner*—Susan Bennett Hattan

(22) **Filed:** **Jan. 21, 2004**

(74) *Attorney, Agent, or Firm*—Kathleen L. Choi

(51) **LOC (8) Cl.** ..... **09-07**

(57) **CLAIM**

(52) **U.S. Cl.** ..... **D9/449**

The ornamental design for a dispensing lid, as shown and described herein.

(58) **Field of Search** ..... D9/454, 449, 447,  
D9/446, 442, 440, 435, 434; 222/556; 220/254.3;  
215/235; D6/518; 221/63, 306, 33, 36

**DESCRIPTION**

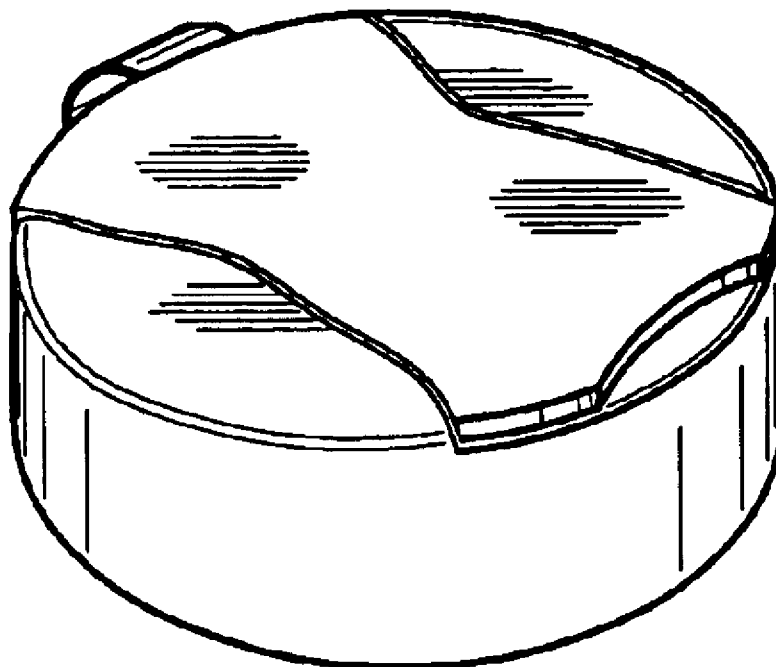
(56) **References Cited**

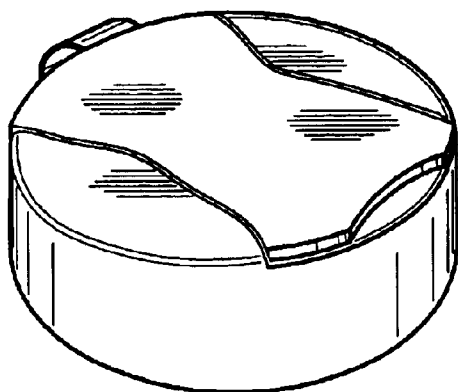
**U.S. PATENT DOCUMENTS**

4,337,876	A	*	7/1982	Thompson	.....	221/36
D286,750	S	*	11/1986	Hamilton et al.	.....	D9/446
D296,765	S		7/1988	Urion		
D355,121	S	*	2/1995	Kohl	.....	D9/447
5,908,138	A		6/1999	Vlahakis et al.		
D414,637	S	*	10/1999	Amundson et al.	.....	D6/518
D444,063	S		6/2001	Buck et al.		
D471,456	S		3/2003	Young et al.		
6,554,156	B1	*	4/2003	Chong	.....	221/63

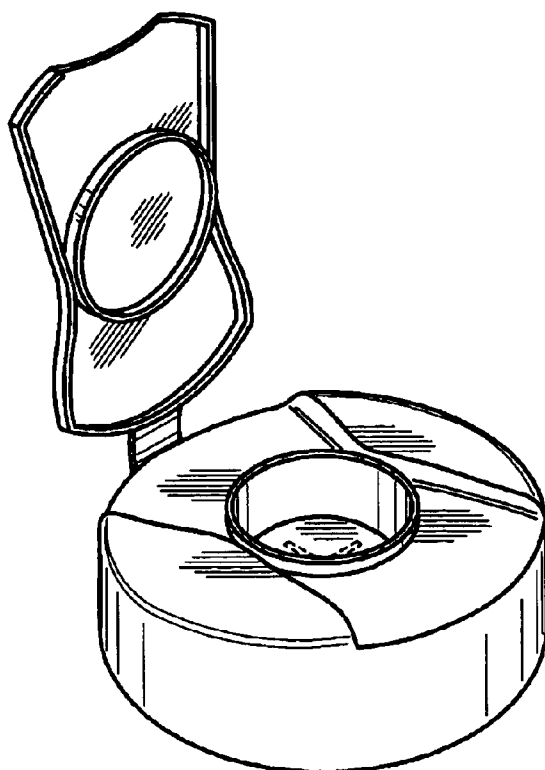
FIG. 1 is a perspective view of a dispensing lid showing my new design in a closed position;  
FIG. 2 is a perspective view thereof, in an open position;  
FIG. 3 is a top plan view thereof;  
FIG. 4 is a front elevation view thereof;  
FIG. 5 is a rear elevation view thereof; and,  
FIG. 6 is a right elevation view thereof, which is a mirror image of a left elevation view thereof.  
The broken lines in the following drawings form no part of the claimed design.

**1 Claim, 2 Drawing Sheets**

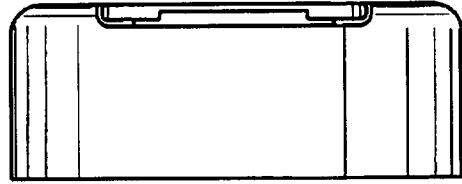




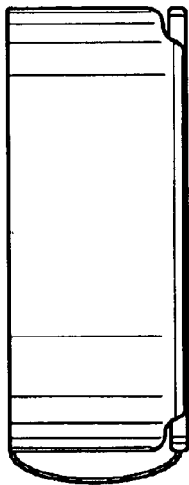
*FIG. 1*



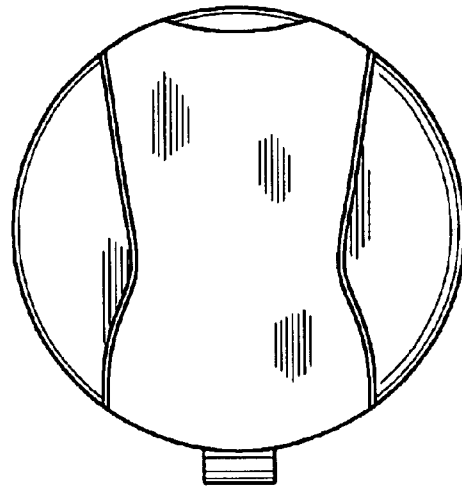
*FIG. 2*



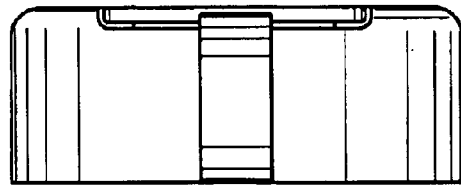
*FIG. 4*



*FIG. 6*



*FIG. 3*



*FIG. 5*