



US00D629510S

(12) **United States Design Patent**
Grunhut

(10) **Patent No.:** **US D629,510 S**

(45) **Date of Patent:** **** Dec. 21, 2010**

- (54) **CAP**
- (75) Inventor: **Guillaume Grunhut**, Grenoble (FR)
- (73) Assignee: **Becton, Dickinson and Company**,
Franklin Lakes, NJ (US)
- (**) Term: **14 Years**
- (21) Appl. No.: **29/305,182**
- (22) Filed: **Mar. 14, 2008**

- (51) **LOC (9) Cl.** **24-02**
- (52) **U.S. Cl.** **D24/127**
- (58) **Field of Classification Search** D24/107,
D24/108, 112, 113, 114, 127, 129, 130, 133,
D24/144; 604/110, 111, 198, 164.01, 164.03,
604/164.04, 164.05, 164.07, 164.11, 165.03,
604/174, 177

See application file for complete search history.

(56) **References Cited**

U.S. PATENT DOCUMENTS

D239,021	S	*	3/1976	D'Alo	D24/129
4,365,626	A	*	12/1982	House	604/190
4,832,695	A	*	5/1989	Rosenberg et al.	604/111
4,929,232	A	*	5/1990	Sweeney et al.	604/111
D337,157	S	*	7/1993	Ortiz	D24/129
D375,788	S	*	11/1996	Potts et al.	D24/108
D380,262	S	*	6/1997	Van Funderburk et al.	..	D24/129
5,647,849	A	*	7/1997	Kalin	604/111
D427,308	S	*	6/2000	Zinger	D24/129
D473,646	S	*	4/2003	Baillargeon et al.	D24/129
6,582,397	B2	*	6/2003	Alesi et al.	604/110

D483,487	S	*	12/2003	Harding et al.	D24/129
D492,774	S	*	7/2004	Cindrich et al.	D24/130
D497,990	S	*	11/2004	Jutila	D24/114
D505,200	S	*	5/2005	Simpson et al.	D24/114
D607,558	S	*	1/2010	Abry et al.	D24/113
2001/0044606	A1	*	11/2001	Inkpen et al.	604/181
2004/0133172	A1	*	7/2004	Wilkinson	604/263
2004/0210197	A1	*	10/2004	Conway	604/198
2008/0228147	A1	*	9/2008	David-Hegerich et al.	..	604/198
2009/0312705	A1	*	12/2009	Grunhut et al.	604/110

* cited by examiner

Primary Examiner—Elizabeth A Albert

Assistant Examiner—Karen E Eldridge Powers

(74) *Attorney, Agent, or Firm*—David M. Fortunato;
Hoffmann & Baron LLP

(57) **CLAIM**

The ornamental design for a cap, as shown and described.

DESCRIPTION

FIG. 1 is a front perspective view of a cap;

FIG. 2 is a bottom plan view thereof;

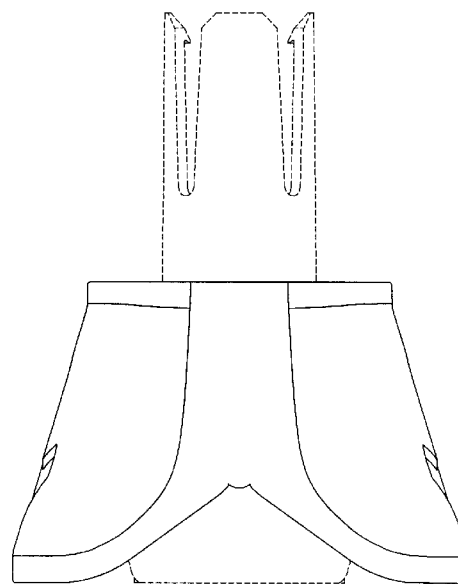
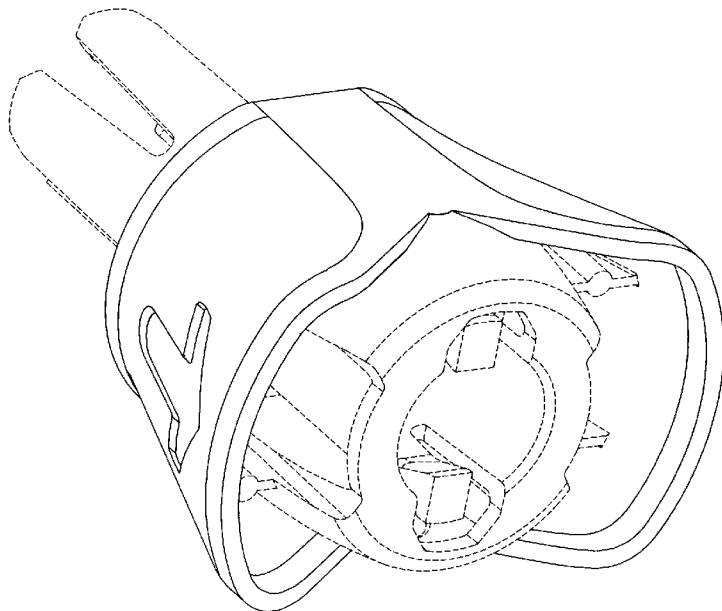
FIG. 3 is a front elevational view thereof, the rear elevational view being identical thereto;

FIG. 4 is a left elevational view thereof, the right elevational view being identical thereto; and,

FIG. 5 is a top plan view thereof.

The broken line showings in FIGS. 1-5 are included for the purposes of illustrating only and form no part of the claimed design.

1 Claim, 3 Drawing Sheets



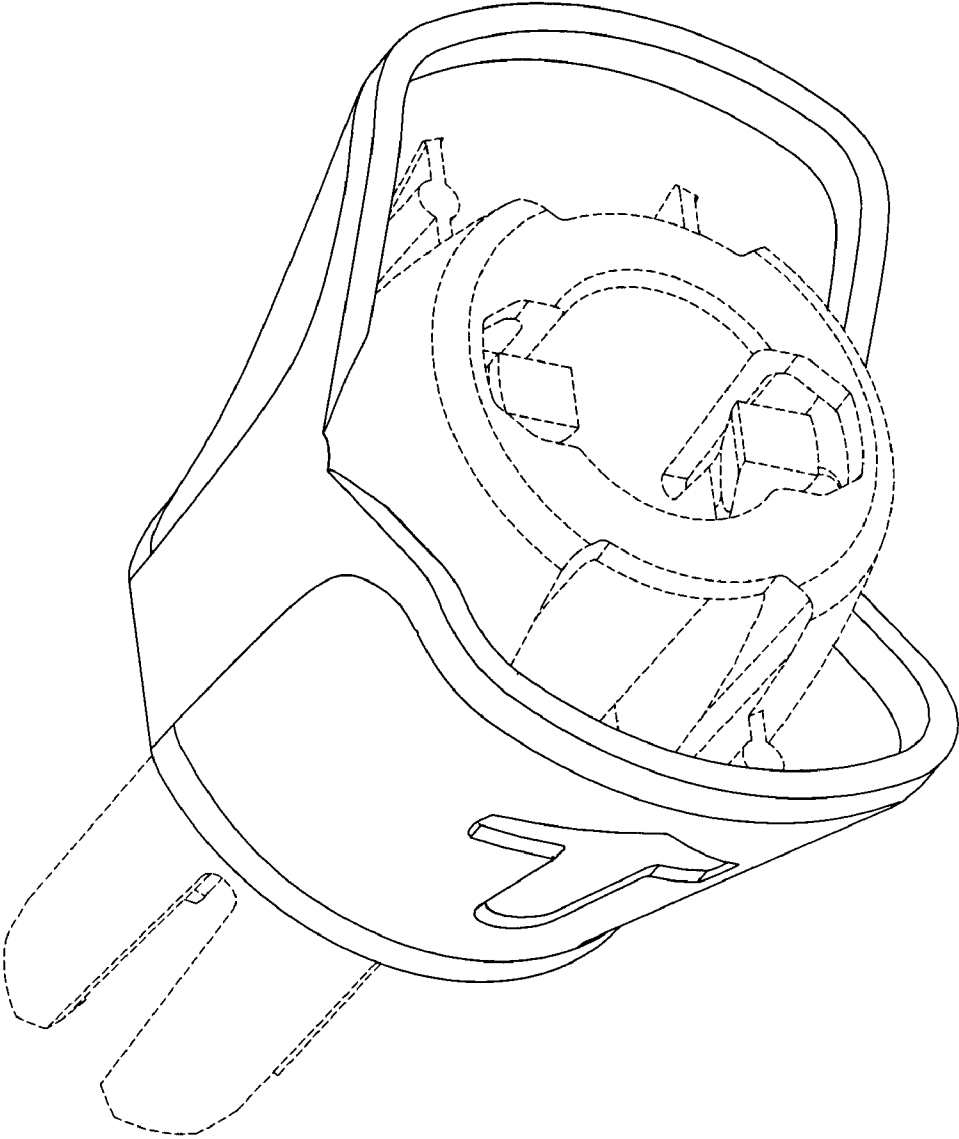


FIG. 1

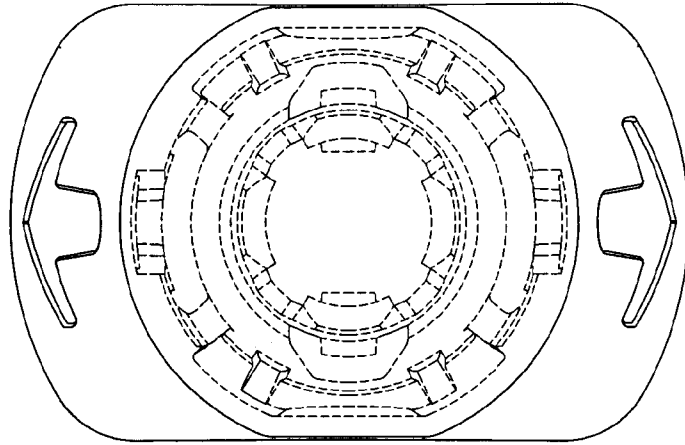


FIG. 2

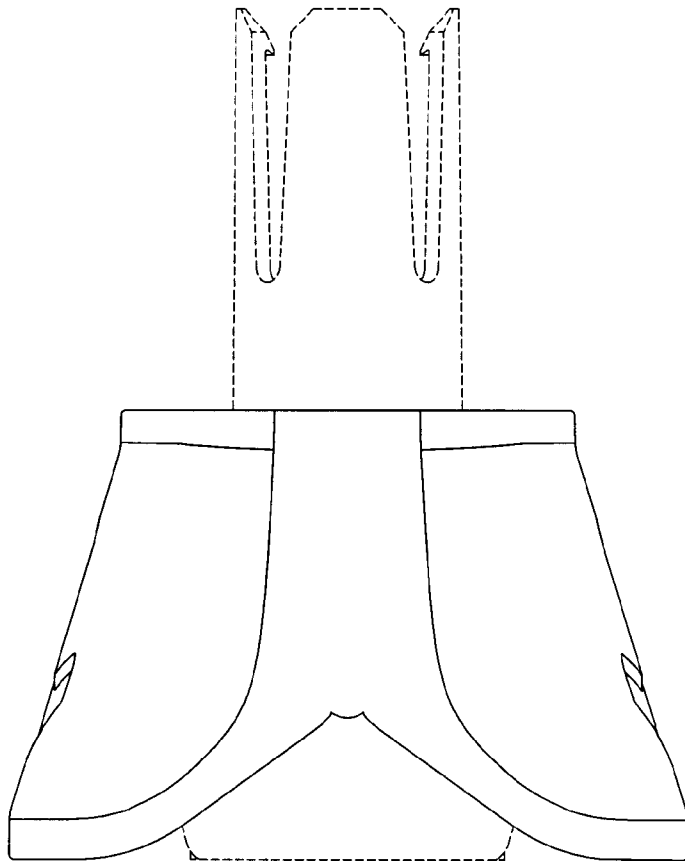


FIG. 3

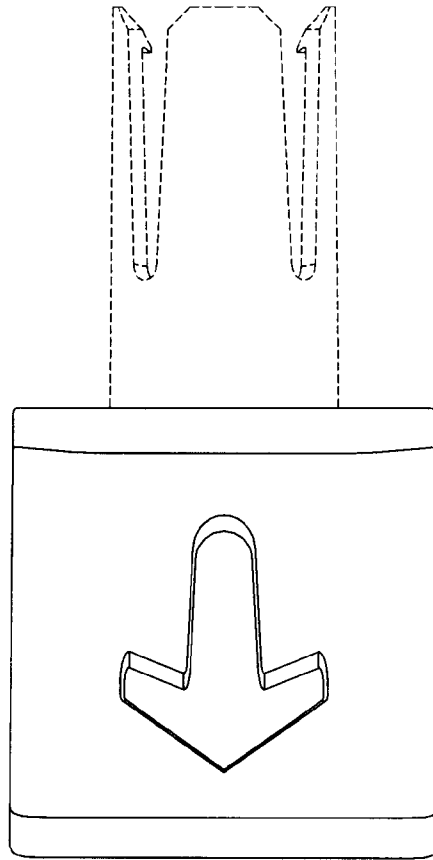


FIG. 4

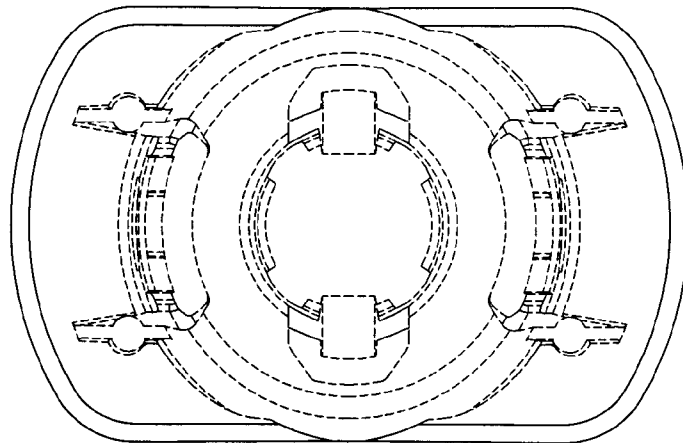


FIG. 5