



US00D899232S

(12) **United States Design Patent**
Banuls Tobaruela

(10) **Patent No.:** **US D899,232 S**

(45) **Date of Patent:** **** Oct. 20, 2020**

(54) **CABLE TRAY COMPONENT FOR BUILDING CONSTRUCTION**

(71) Applicant: **Basor Electric, Inc.**, Millstadt, IL (US)

(72) Inventor: **Javier Banuls Tobaruela**, Gandia (ES)

(73) Assignee: **Basor Electric, Inc.**, Millstadt, IL (US)

(**) Term: **15 Years**

(21) Appl. No.: **29/700,195**

(22) Filed: **Jul. 31, 2019**

(51) **LOC (12) Cl.** **09-05**

(52) **U.S. Cl.**

USPC **D8/367**; D13/155

(58) **Field of Classification Search**

USPC D8/360, 356, 354, 349; D30/139;
D11/218; 24/129 R; 254/390; 248/49;
D13/155

See application file for complete search history.

(56) **References Cited**

U.S. PATENT DOCUMENTS

3,042,351	A *	7/1962	Du Bois	H02G 3/0437
					248/49
5,027,478	A *	7/1991	Suhr	B65H 75/36
					137/355.16
D517,902	S *	3/2006	Peterson	D8/358
D576,867	S *	9/2008	Kretz	D8/356
7,425,028	B1 *	9/2008	Angel	B60R 11/00
					16/422
7,434,771	B1 *	10/2008	Tai	F16L 3/00
					138/106
D667,390	S *	9/2012	Matera	D14/223
D669,761	S *	10/2012	Angel	D8/356
D674,271	S *	1/2013	Rodwin	D8/356

(Continued)

Primary Examiner — Cynthia R Underwood

(74) *Attorney, Agent, or Firm* — Thedford I. Hittaffer;
Hittaffer & Hittaffer, PLLC

(57) **CLAIM**

The ornamental design for a cable tray component for building construction, as shown and described.

DESCRIPTION

FIG. 1 is a front perspective view of a cable tray component for building construction.

FIG. 2 is a front elevational view of the component shown in FIG. 1.

FIG. 3 is a rear elevational view of the component shown in FIG. 1.

FIG. 4 is a top plan view of the component shown in FIG. 1.

FIG. 5 is a bottom plan view of the component shown in FIG. 1.

FIG. 6 is a right side elevational view of the component shown in FIG. 1.

FIG. 7 is a left side elevational view of the component shown in FIG. 1.

FIG. 8 is a front perspective view of an alternative cable tray component for building construction.

FIG. 9 is a front elevational view of the component shown in FIG. 8.

FIG. 10 is a rear elevational view of the component shown in FIG. 8.

FIG. 11 is a top plan view of the component shown in FIG. 8.

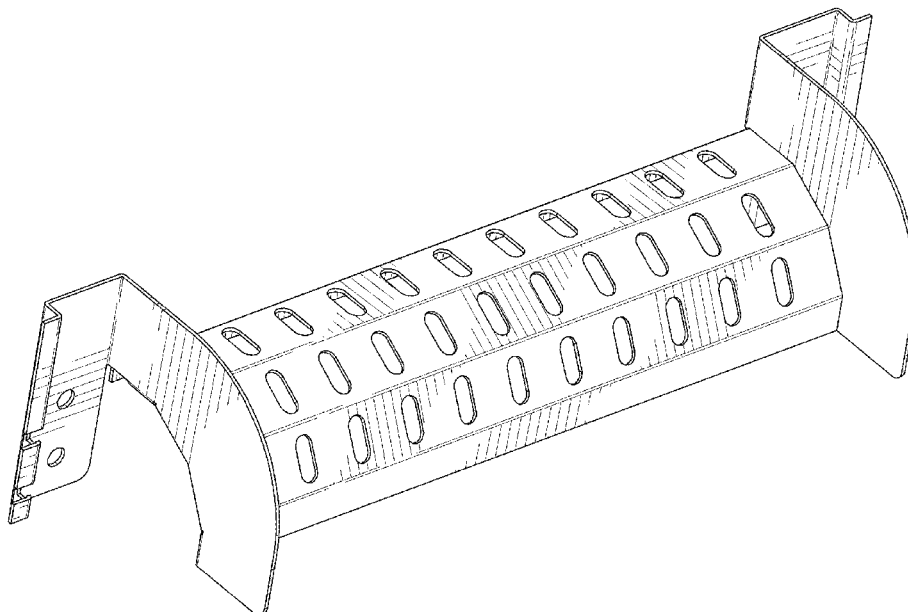
FIG. 12 is a bottom plan view of the component shown in FIG. 8.

FIG. 13 is a right side elevational view of the component shown in FIG. 8; and,

FIG. 14 is a left side elevational view of the component shown in FIG. 8.

The features shown in broken line throughout FIGS. 8-14 form no part of the claimed design.

1 Claim, 12 Drawing Sheets



(56)

References Cited

U.S. PATENT DOCUMENTS

D691,873	S *	10/2013	Ganski	D8/356
D701,448	S *	3/2014	Rodwin	D8/356
D710,671	S *	8/2014	Gonzalez	D8/105
D735,568	S *	8/2015	Barnett	D8/396
D739,358	S *	9/2015	Collier	D13/155
D764,709	S *	8/2016	Filho	D28/73
D766,511	S *	9/2016	Filho	D28/73
D804,935	S *	12/2017	Son	D8/356
D811,860	S *	3/2018	De Nora	D8/356
D817,153	S *	5/2018	Harogolige Padmanabha	D8/356
D834,923	S *	12/2018	Chrouser	D8/356
D839,084	S *	1/2019	Mikoska	D8/356
D844,425	S *	4/2019	Olenick	D8/399
D850,242	S *	6/2019	Gubbins	D8/358
10,336,570	B2 *	7/2019	Beggs	B65H 75/406
D860,765	S *	9/2019	Tsay	D8/356
D866,479	S *	11/2019	Hoshikawa	D13/155
D880,285	S *	4/2020	Olenick	D8/399
2007/0120023	A1 *	5/2007	Martinez	E02F 9/2275 248/75
2013/0333119	A1 *	12/2013	Maynard	B25F 1/00 7/163

* cited by examiner

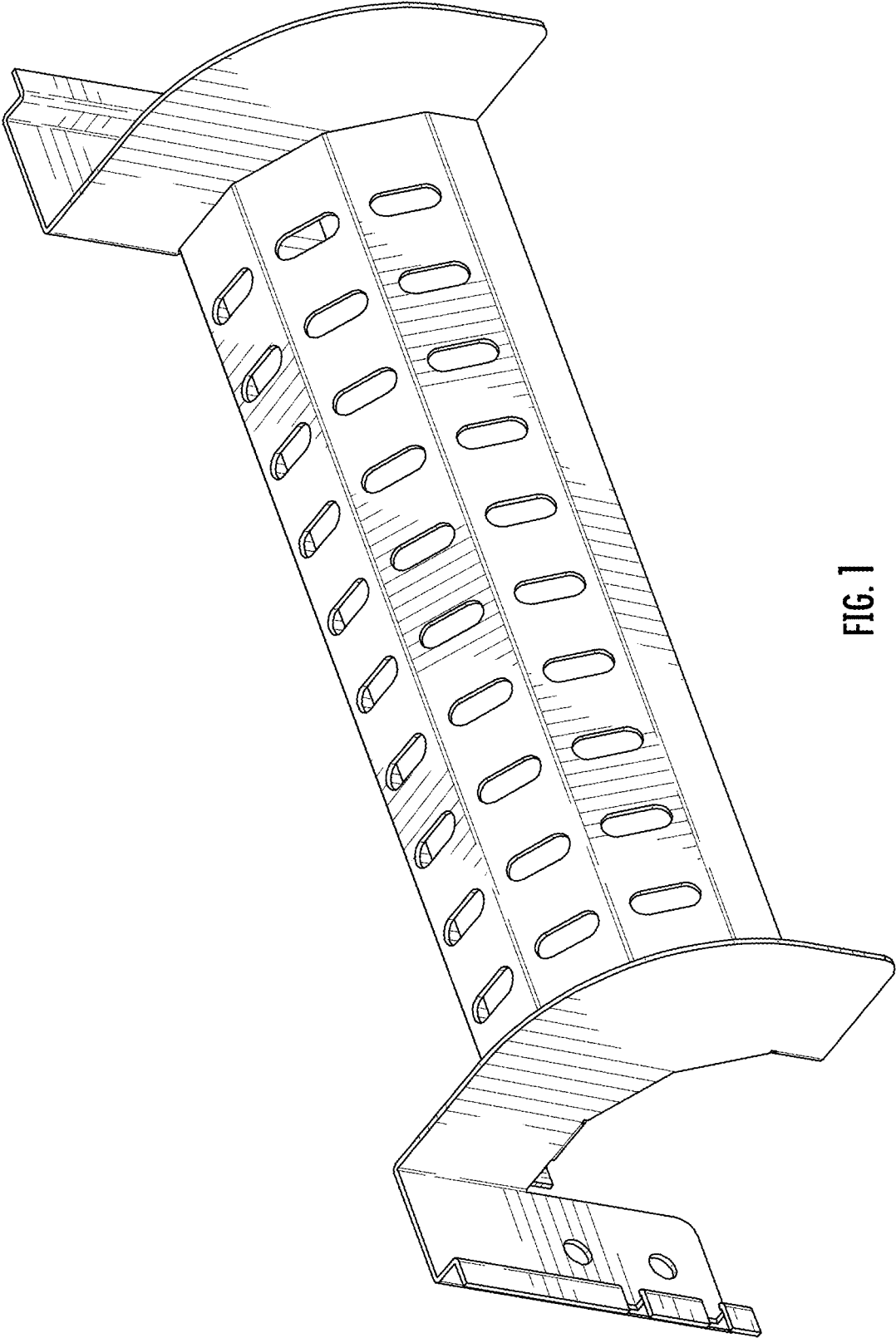


FIG. 1

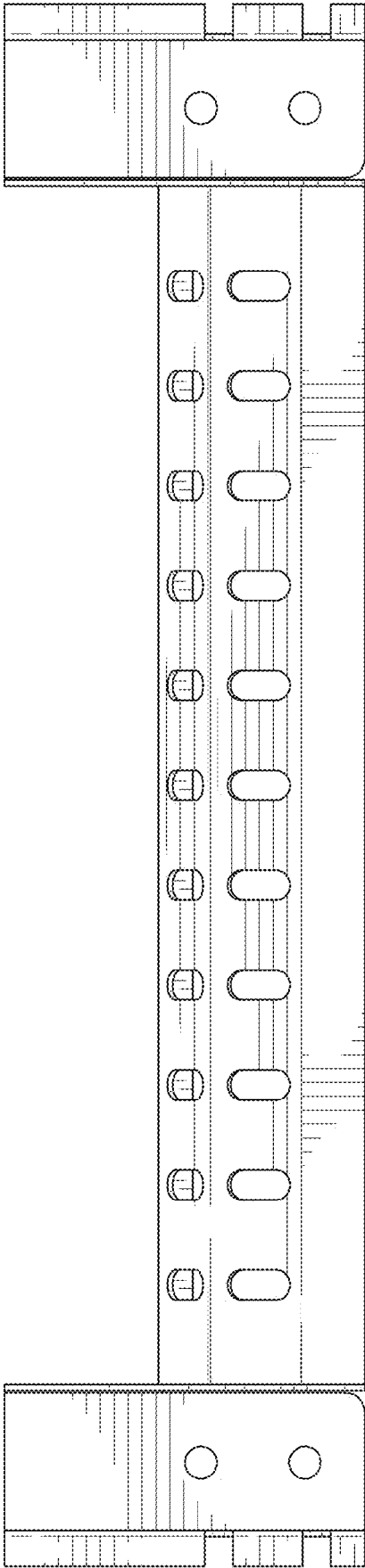


FIG. 2

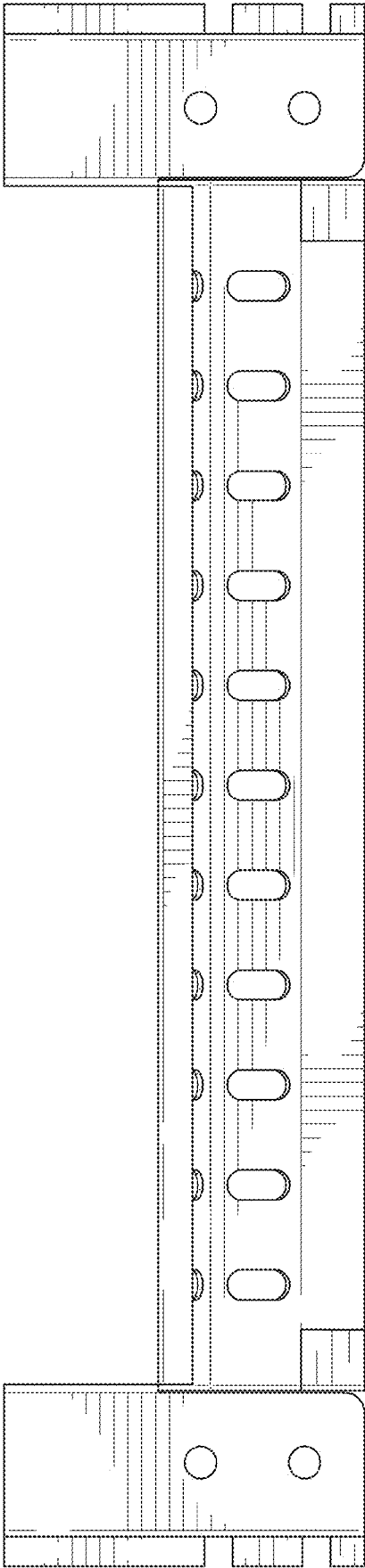


FIG. 3

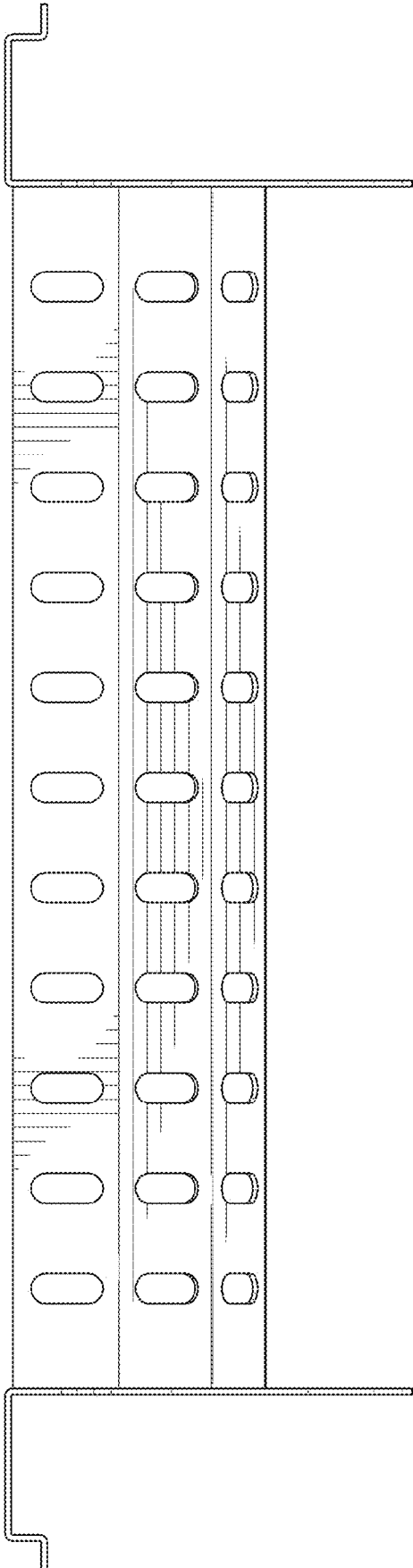


FIG. 4

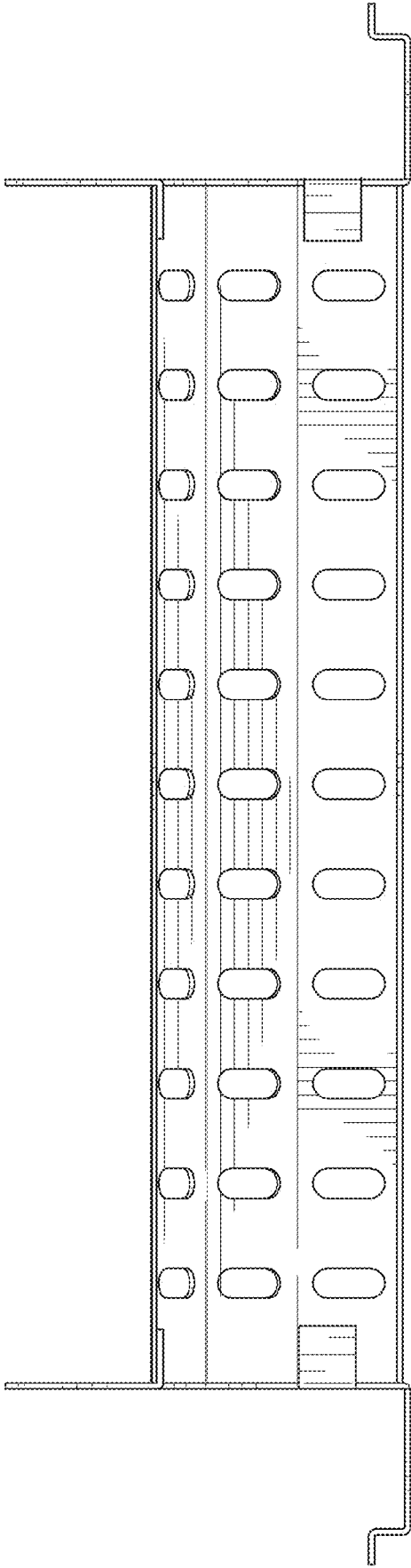


FIG. 5

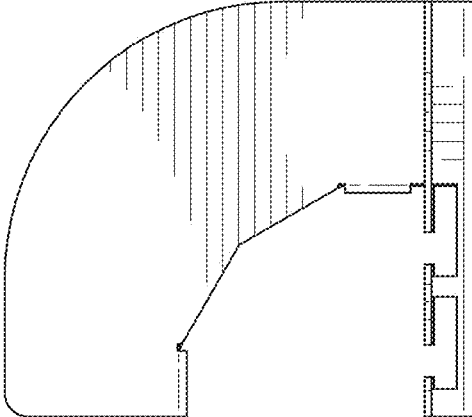


FIG. 6

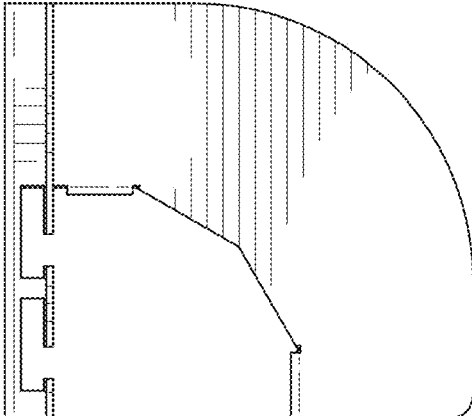


FIG. 7

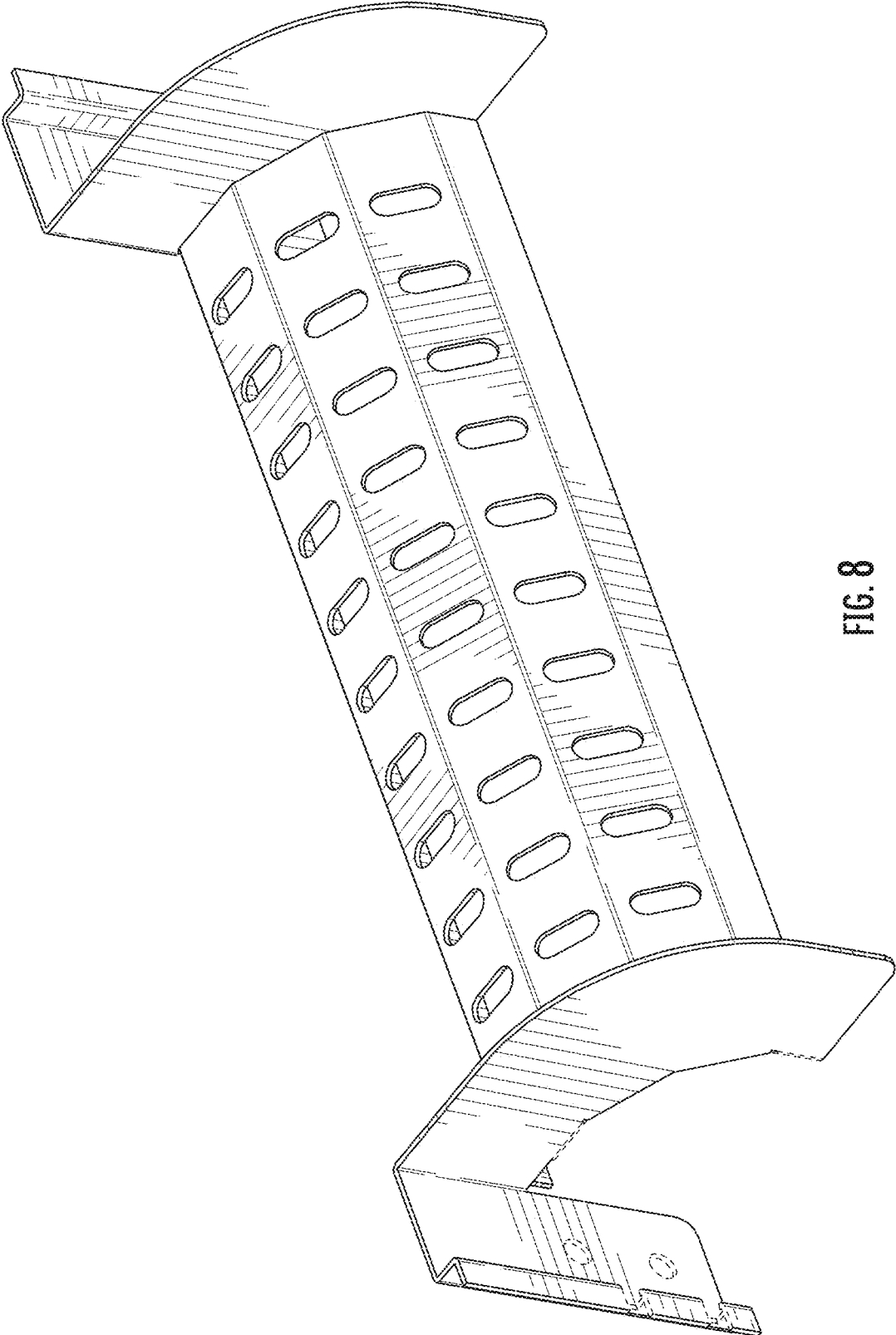


FIG. 8

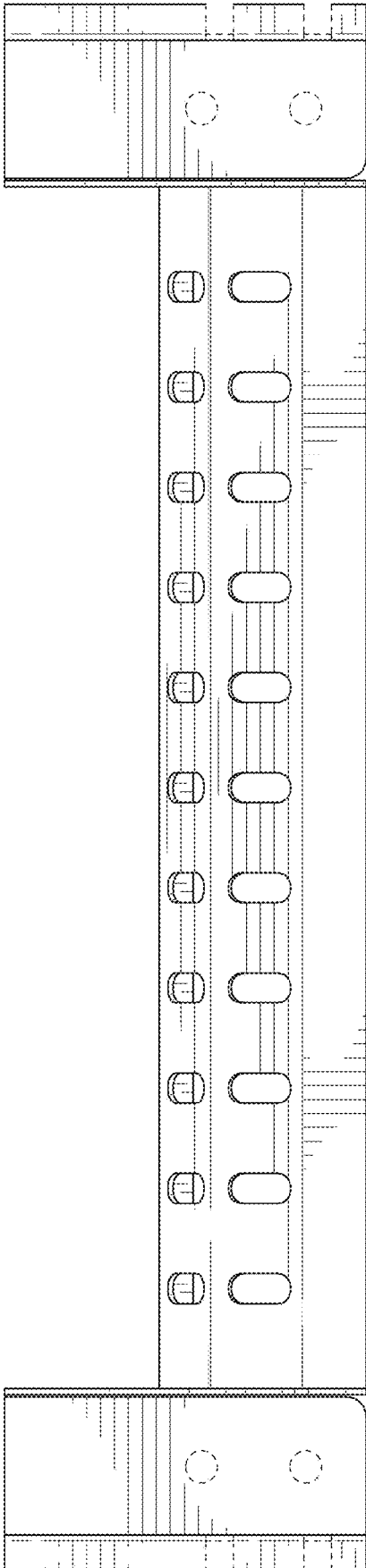


FIG. 9

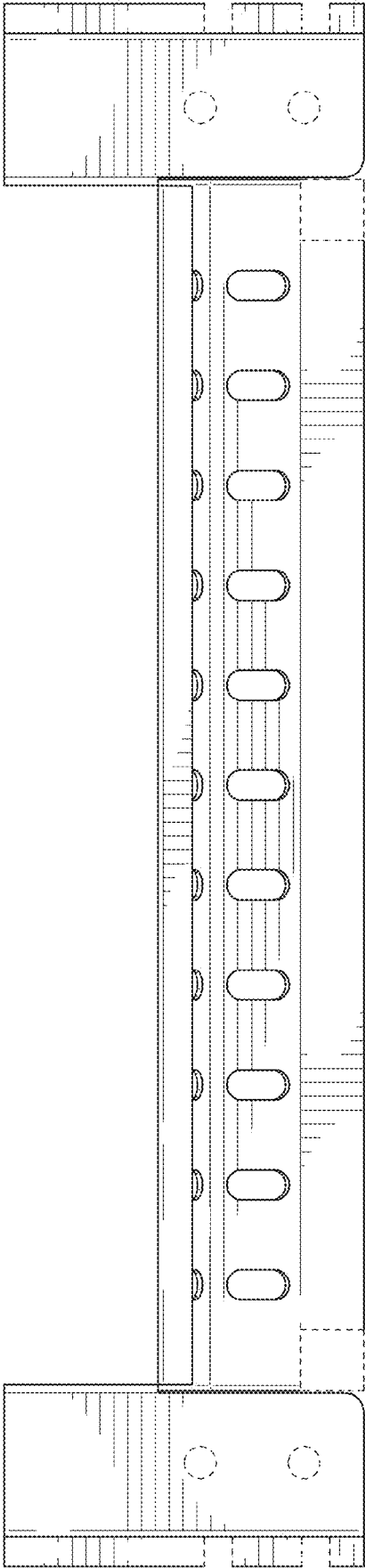


FIG. 10

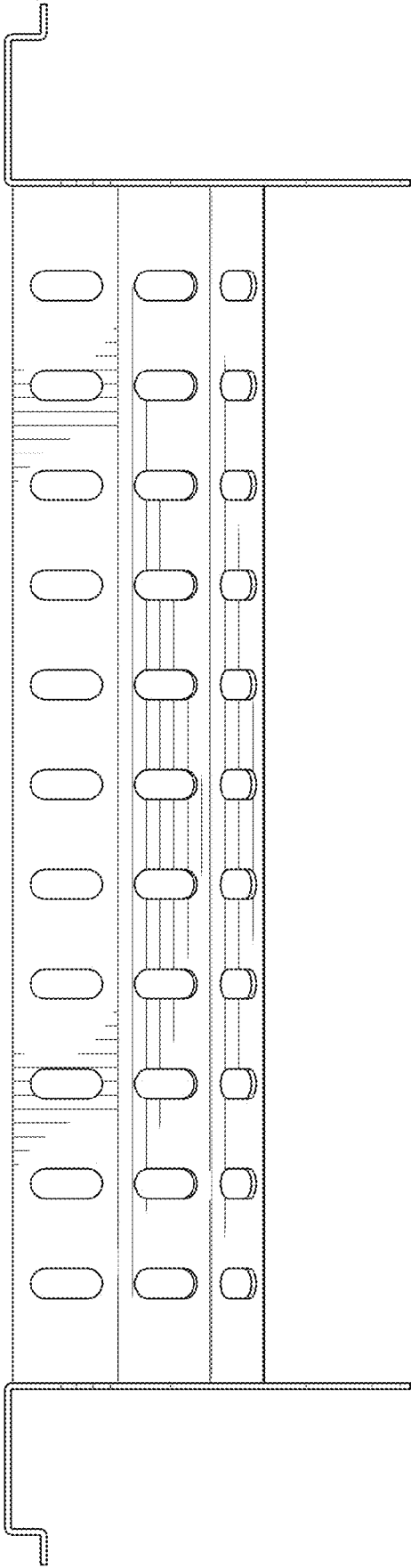


FIG. 11

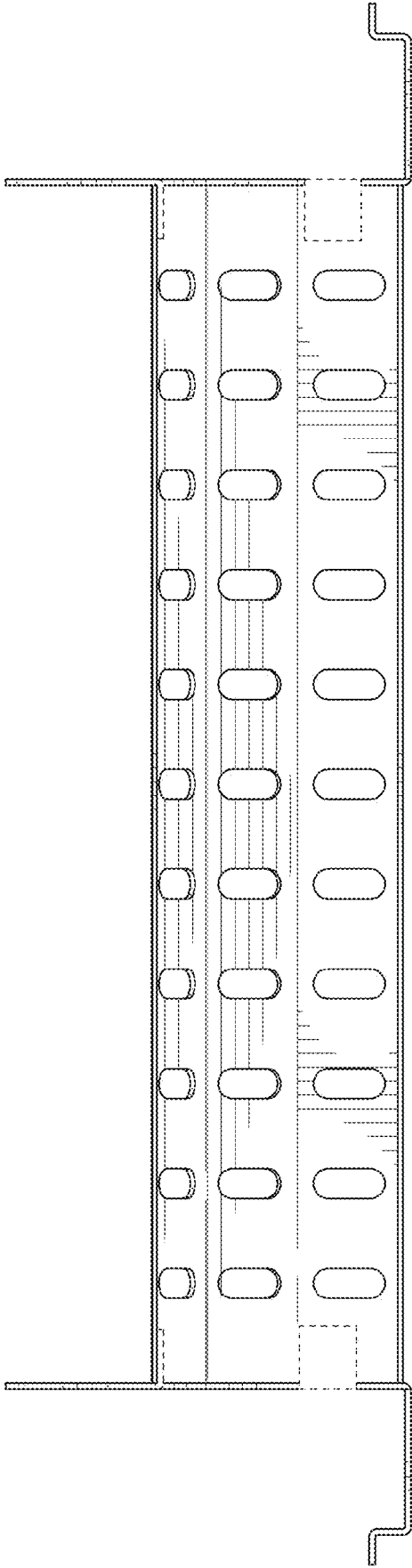


FIG. 12

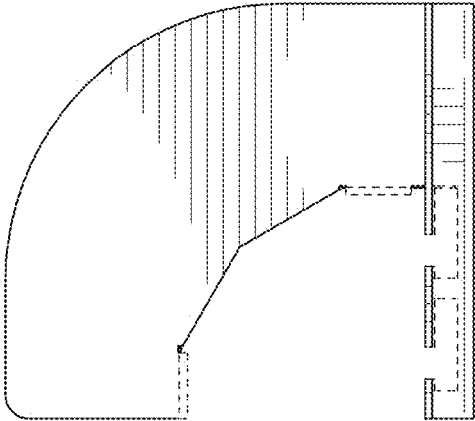


FIG. 13

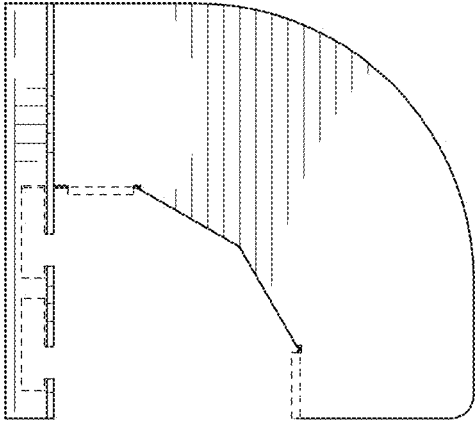


FIG. 14