

(19) World Intellectual Property
Organization
International Bureau



(43) International Publication Date
24 December 2003 (24.12.2003)

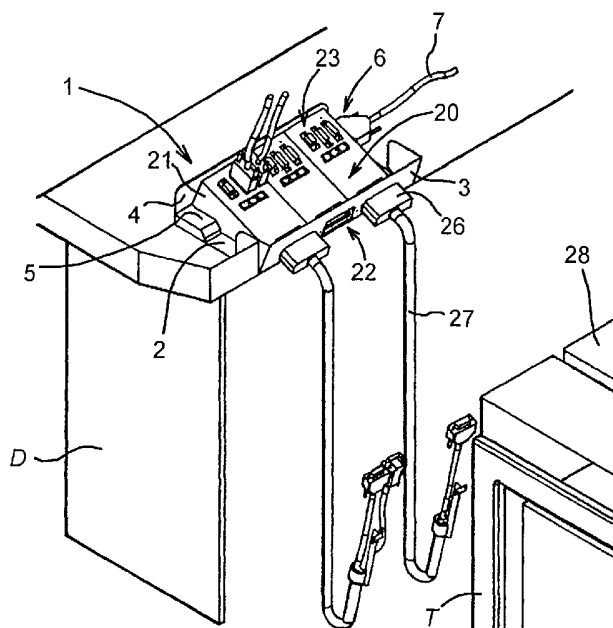
PCT

(10) International Publication Number
WO 2003/107159 A3

- (51) International Patent Classification⁷: **G06F 1/16**, A47B 21/00
- (74) Agent: **CRASKE, Stephen, Allan**; CRASKE & Co., Patent Law Chambers, 15 Queens Terrace, EXETER, Devon EX4 4HJ (GB).
- (21) International Application Number: PCT/GB2003/002536
- (81) Designated States (*national*): AE, AG, AL, AM, AT, AU, AZ, BA, BB, BG, BR, BY, BZ, CA, CH, CN, CO, CR, CU, CZ, DE, DK, DM, DZ, EC, EE, ES, FI, GB, GD, GE, GH, GM, HR, HU, ID, IL, IN, IS, JP, KE, KG, KP, KR, KZ, LC, LK, LR, LS, LT, LU, LV, MA, MD, MG, MK, MN, MW, MX, MZ, NI, NO, NZ, OM, PH, PL, PT, RO, RU, SC, SD, SE, SG, SK, SL, TJ, TM, TN, TR, TT, TZ, UA, UG, US, UZ, VC, VN, YU, ZA, ZM, ZW.
- (22) International Filing Date: 13 June 2003 (13.06.2003)
- (25) Filing Language: English
- (26) Publication Language: English
- (30) Priority Data: 0213547.3 13 June 2002 (13.06.2002) GB
- (84) Designated States (*regional*): ARIPO patent (GH, GM, KE, LS, MW, MZ, SD, SL, SZ, TZ, UG, ZM, ZW), Eurasian patent (AM, AZ, BY, KG, KZ, MD, RU, TJ, TM), European patent (AT, BE, BG, CH, CY, CZ, DE, DK, EE, ES, FI, FR, GB, GR, HU, IE, IT, LU, MC, NL, PT, RO, SE, SI, SK, TR), OAPI patent (BF, BJ, CF, CG, CI, CM, GA, GN, GQ, GW, ML, MR, NE, SN, TD, TG).
- (71) Applicant (*for all designated States except US*): **AMULET ELECTRONICS LIMITED** [GB/GB]; Newinnton Lodge, Old Exeter Street, CHUDLEIGH, Devon TQ13 0JX (GB).
- (72) Inventor; and
- (75) Inventor/Applicant (*for US only*): **GRUNDON, Keith** [GB/GB]; Amulet Electronics Limited, Newinnton Lodge, Old Exeter Street, CHUDLEIGH, Devon TQ13 0JX (GB).
- Published:
— with international search report

[Continued on next page]

(54) Title: DESK ATTACHMENT



(57) Abstract: A desk attachment includes a base unit 1 including a communication bus having a communication port for connection to at least one remote signal source. A plurality of user modules 20 are provided for attachment to the base unit such that they are electrically connected with the bus. Each module has a PC port 22 for connection with a local computer and at least one peripheral port 23 for connection with a user interface device. The ports are arranged such that a computer on the PC port is operably connected to the or each peripheral port and the bus.

WO 2003/107159 A3



— *before the expiration of the time limit for amending the claims and to be republished in the event of receipt of amendments*

For two-letter codes and other abbreviations, refer to the "Guidance Notes on Codes and Abbreviations" appearing at the beginning of each regular issue of the PCT Gazette.

(88) Date of publication of the international search report:
25 March 2004

INTERNATIONAL SEARCH REPORT

International Application No
PCT/GB 03/02536

A. CLASSIFICATION OF SUBJECT MATTER
IPC 7 G06F1/16 A47B21/00

According to International Patent Classification (IPC) or to both national classification and IPC

B. FIELDS SEARCHED

Minimum documentation searched (classification system followed by classification symbols)
IPC 7 G06F A47B

Documentation searched other than minimum documentation to the extent that such documents are included in the fields searched

Electronic data base consulted during the international search (name of data base and, where practical, search terms used)
EPO-Internal, WPI Data, PAJ

C. DOCUMENTS CONSIDERED TO BE RELEVANT

Category °	Citation of document, with indication, where appropriate, of the relevant passages	Relevant to claim No.
X	US 5 516 298 A (SMITH ROBERT H) 14 May 1996 (1996-05-14) column 1, line 10 -column 2, line 63 column 3, line 34 -column 7, line 65 figures 1-9 ---	1
X	US 6 169 655 B1 (HELOT JACQUES H) 2 January 2001 (2001-01-02) column 1, line 3 -column 2, line 34 column 3, line 10 -column 8, line 29 figures 1-14 ---	1
A	US 6 327 983 B1 (NIEH TING-WEN ET AL) 11 December 2001 (2001-12-11) column 1, line 5 -column 2, line 9 column 2, line 66 -column 5, line 17 figures 1-5A --- -/--	1

Further documents are listed in the continuation of box C.

Patent family members are listed in annex.

° Special categories of cited documents :

- *A* document defining the general state of the art which is not considered to be of particular relevance
- *E* earlier document but published on or after the international filing date
- *L* document which may throw doubts on priority claim(s) or which is cited to establish the publication date of another citation or other special reason (as specified)
- *O* document referring to an oral disclosure, use, exhibition or other means
- *P* document published prior to the international filing date but later than the priority date claimed

- *T* later document published after the international filing date or priority date and not in conflict with the application but cited to understand the principle or theory underlying the invention
- *X* document of particular relevance; the claimed invention cannot be considered novel or cannot be considered to involve an inventive step when the document is taken alone
- *Y* document of particular relevance; the claimed invention cannot be considered to involve an inventive step when the document is combined with one or more other such documents, such combination being obvious to a person skilled in the art.
- *&* document member of the same patent family

Date of the actual completion of the international search

26 January 2004

Date of mailing of the international search report

30/01/2004

Name and mailing address of the ISA

European Patent Office, P.B. 5818 Patentlaan 2
NL - 2280 HV Rijswijk
Tel. (+31-70) 340-2040, Tx. 31 651 epo nl,
Fax: (+31-70) 340-3016

Authorized officer

de la Torre, D

INTERNATIONAL SEARCH REPORT

International Application No
PCT/GB 03/02536

C.(Continuation) DOCUMENTS CONSIDERED TO BE RELEVANT		
Category *	Citation of document, with indication, where appropriate, of the relevant passages	Relevant to claim No.
A	EP 0 806 069 B (HAWORTH INC) 7 November 2001 (2001-11-07) column 1, line 5 -column 6, line 20 column 10, line 47 -column 14, line 5 figures 1-8 -----	1

INTERNATIONAL SEARCH REPORT
 Information on patent family members

International Application No
 PCT/GB 03/02536

Patent document cited in search report	Publication date	Patent family member(s)	Publication date
US 5516298	A	14-05-1996	NONE
US 6169655	B1	02-01-2001	JP 2000029571 A 28-01-2000
US 6327983	B1	11-12-2001	US 6629505 B1 07-10-2003
EP 0806069	B	12-11-1997	AU 719381 B2 11-05-2000 AU 5295696 A 14-08-1996 BR 9606777 A 06-01-1998 DE 69616754 D1 13-12-2001 DE 69616754 T2 01-08-2002 EP 0806069 A2 12-11-1997 JP 11502695 T 02-03-1999 CA 2211192 A1 01-08-1996 US 2002132506 A1 19-09-2002 WO 9623339 A2 01-08-1996 US 6135796 A 24-10-2000 US 6267611 B1 31-07-2001 US 6325650 B1 04-12-2001 US 5938462 A 17-08-1999 US 5964609 A 12-10-1999