



US00D915575S

(12) **United States Design Patent**  
**Chen**

(10) **Patent No.:** **US D915,575 S**

(45) **Date of Patent:** **\*\* \*Apr. 6, 2021**

- (54) **AROMA DIFFUSER**
- (71) Applicant: **Zhenzhong Chen**, Guangdong (CN)
- (72) Inventor: **Zhenzhong Chen**, Guangdong (CN)

D822,812 S *	7/2018	Hu .....	D23/356
D831,186 S *	10/2018	Tamras .....	D23/366
D848,399 S *	5/2019	Burlingame .....	D14/221
D850,596 S *	6/2019	Wu .....	D23/366
D852,344 S *	6/2019	Hua .....	D23/364

\* cited by examiner

(\* ) Notice: This patent is subject to a terminal disclaimer.

*Primary Examiner* — Sheryl Lane

*Assistant Examiner* — Calvin E Vansant

(\*\*) Term: **15 Years**

(74) *Attorney, Agent, or Firm* — King & Wood Mallesons LLP

(21) Appl. No.: **29/659,290**

(22) Filed: **Aug. 8, 2018**

(57) **CLAIM**

(51) **LOC (13) Cl.** ..... **23-04**

I claim the ornamental design for an aroma diffuser, as shown and described.

(52) **U.S. Cl.**

USPC ..... **D23/366**

(58) **Field of Classification Search**

USPC ..... D23/208, 355–369; D14/209.1, 212–213

CPC ..... A61L 9/02; A61L 9/03; A61L 9/12; A61L 9/035; A61L 9/125

See application file for complete search history.

**DESCRIPTION**

FIG. 1 is a front, right and top perspective view of an aroma diffuser showing my new design;

FIG. 2 is a front and bottom perspective view thereof;

FIG. 3 is a front elevational view thereof;

FIG. 4 is a rear elevational view thereof;

FIG. 5 is a left side elevational view thereof;

FIG. 6 is a right side elevational view thereof;

FIG. 7 is a top plan view thereof; and,

FIG. 8 is a bottom plan view thereof.

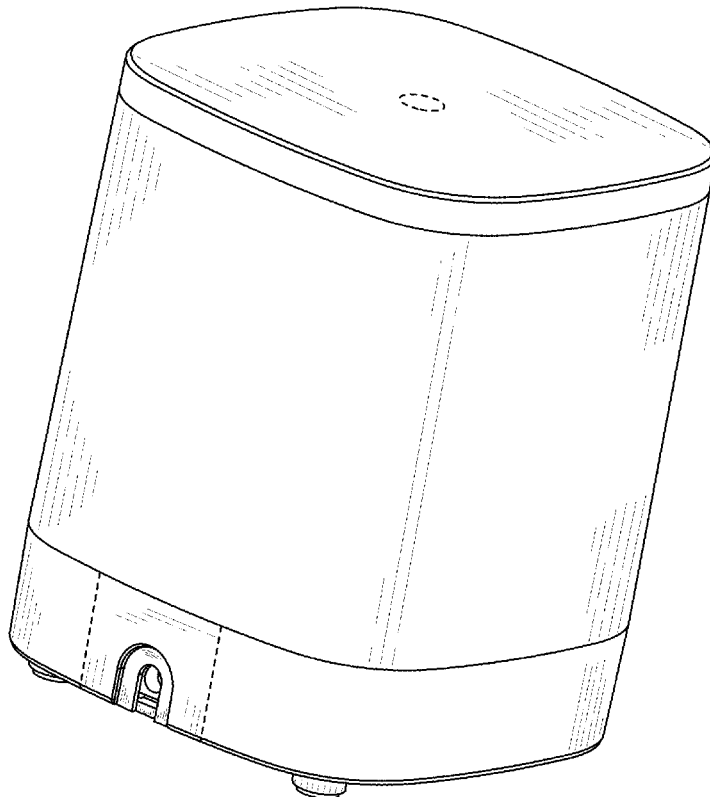
The broken lines shown depict environment that forms no part of the claimed design.

(56) **References Cited**

**U.S. PATENT DOCUMENTS**

D360,461 S *	7/1995	Gillespie .....	D23/366
D700,527 S *	3/2014	Garrett .....	D10/15
D721,061 S *	1/2015	Burlingame .....	D14/216
D728,089 S *	4/2015	Crisa' .....	D23/366
D763,262 S *	8/2016	Hallar .....	D14/434
D798,430 S *	9/2017	Nord .....	D23/364
D810,266 S *	2/2018	Li .....	D23/366

**1 Claim, 8 Drawing Sheets**



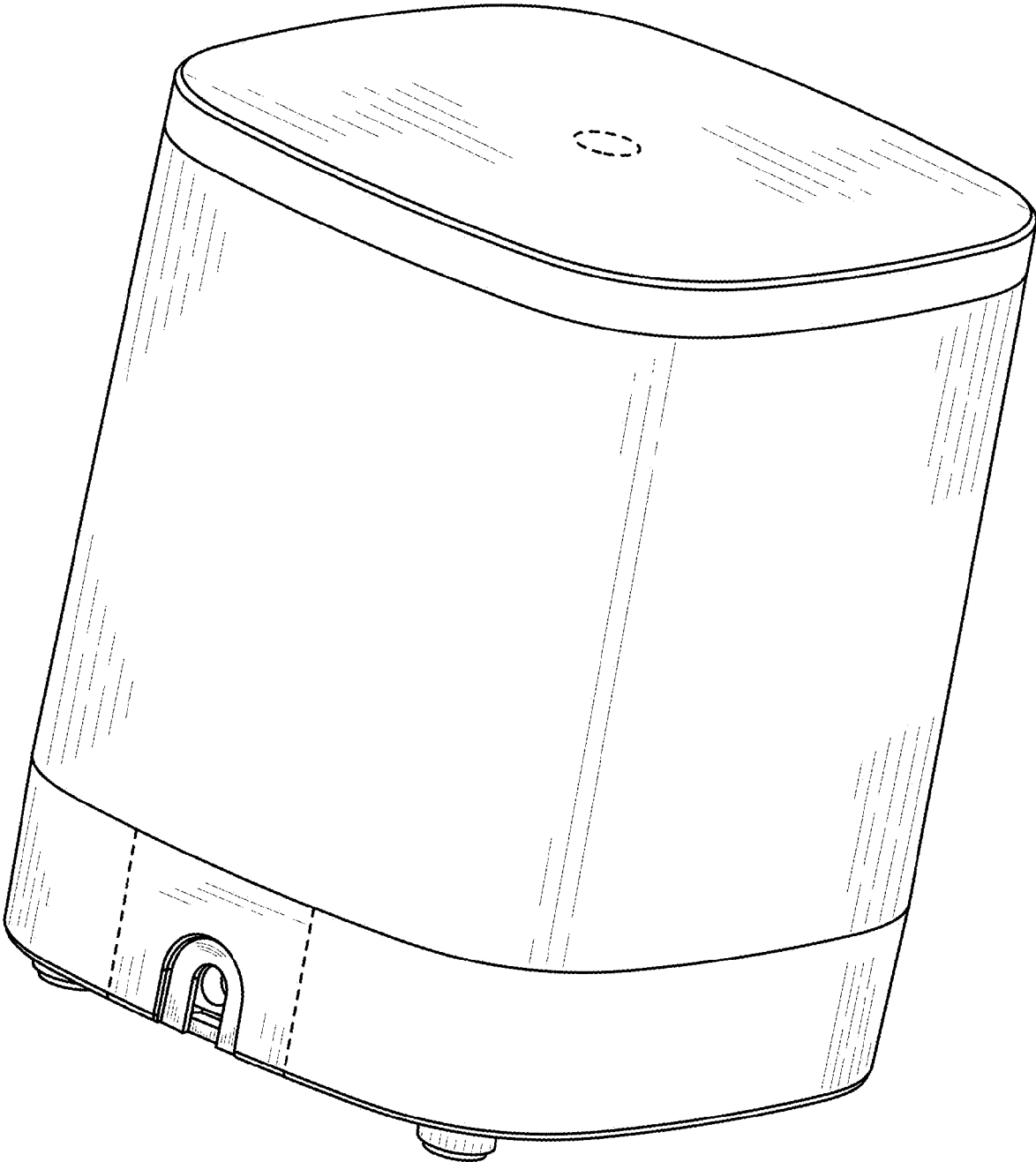


FIG. 1

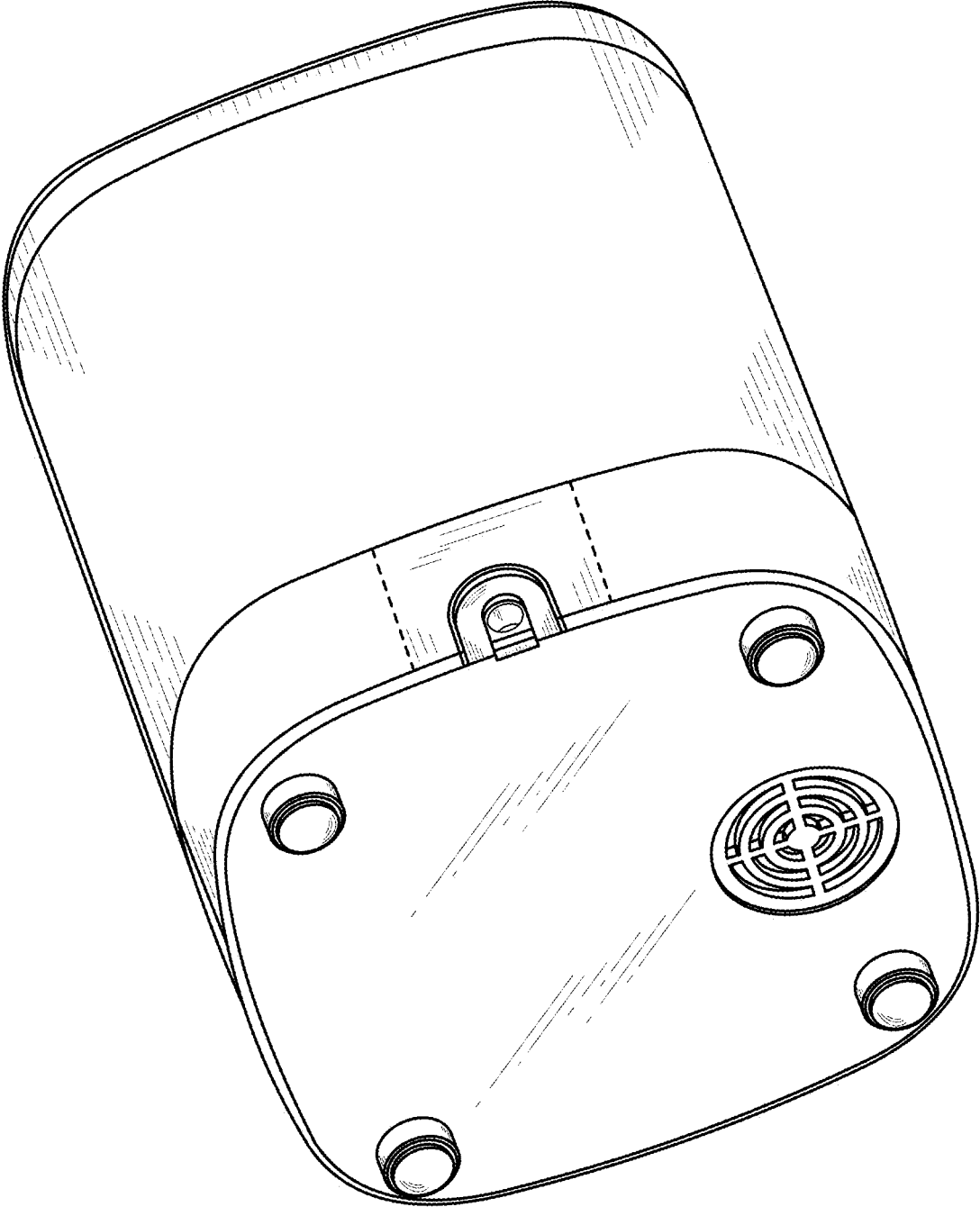


FIG. 2

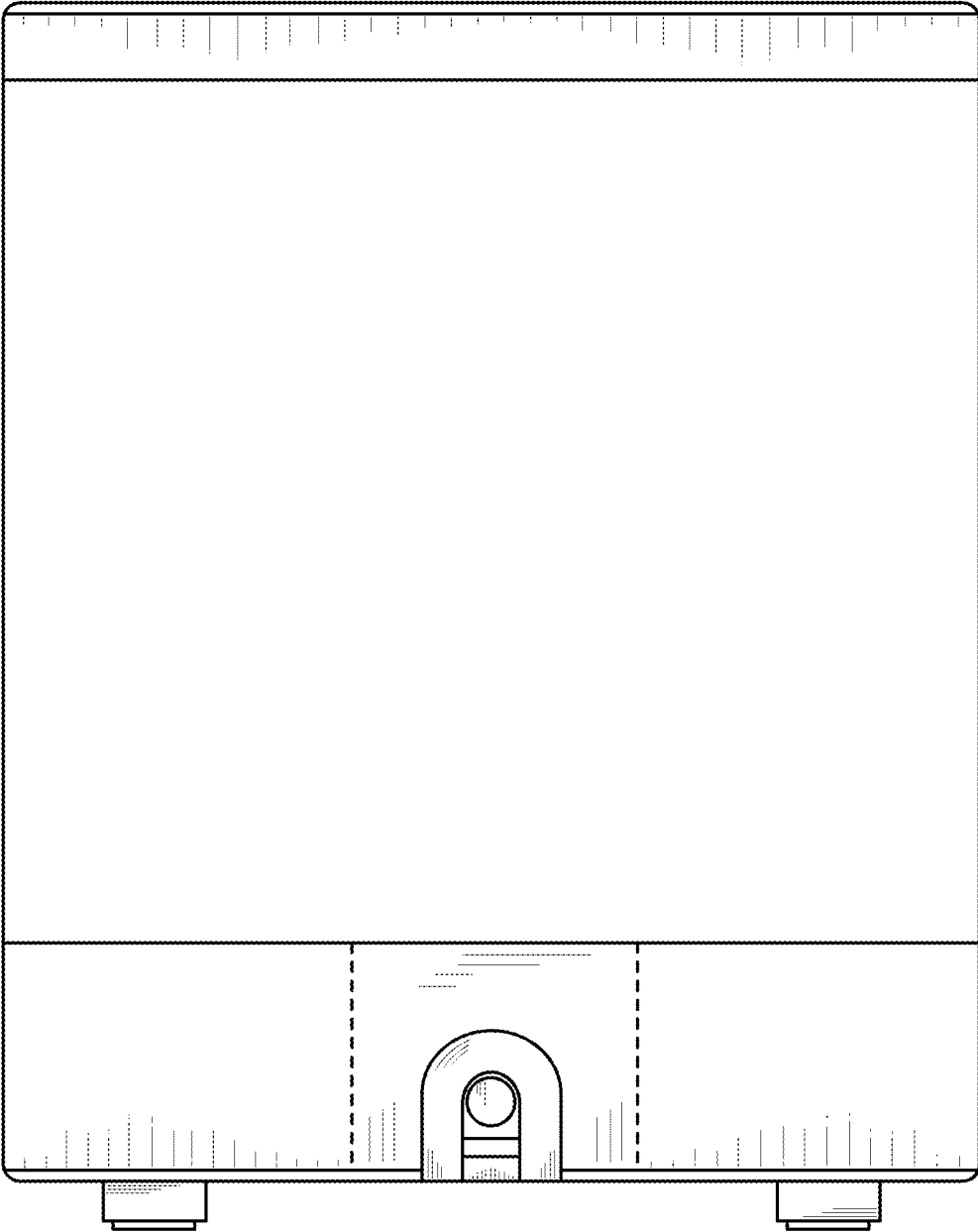


FIG. 3

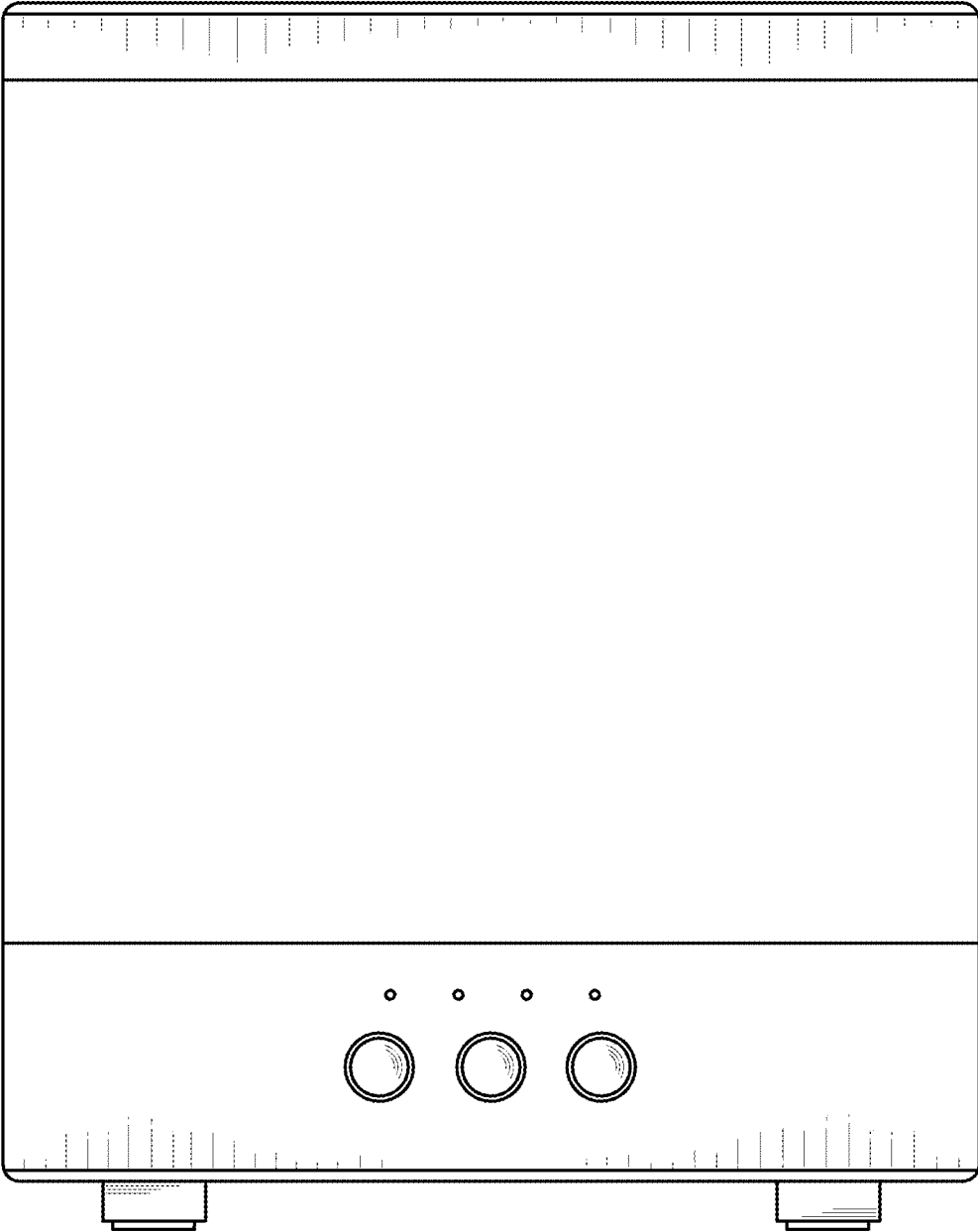


FIG. 4

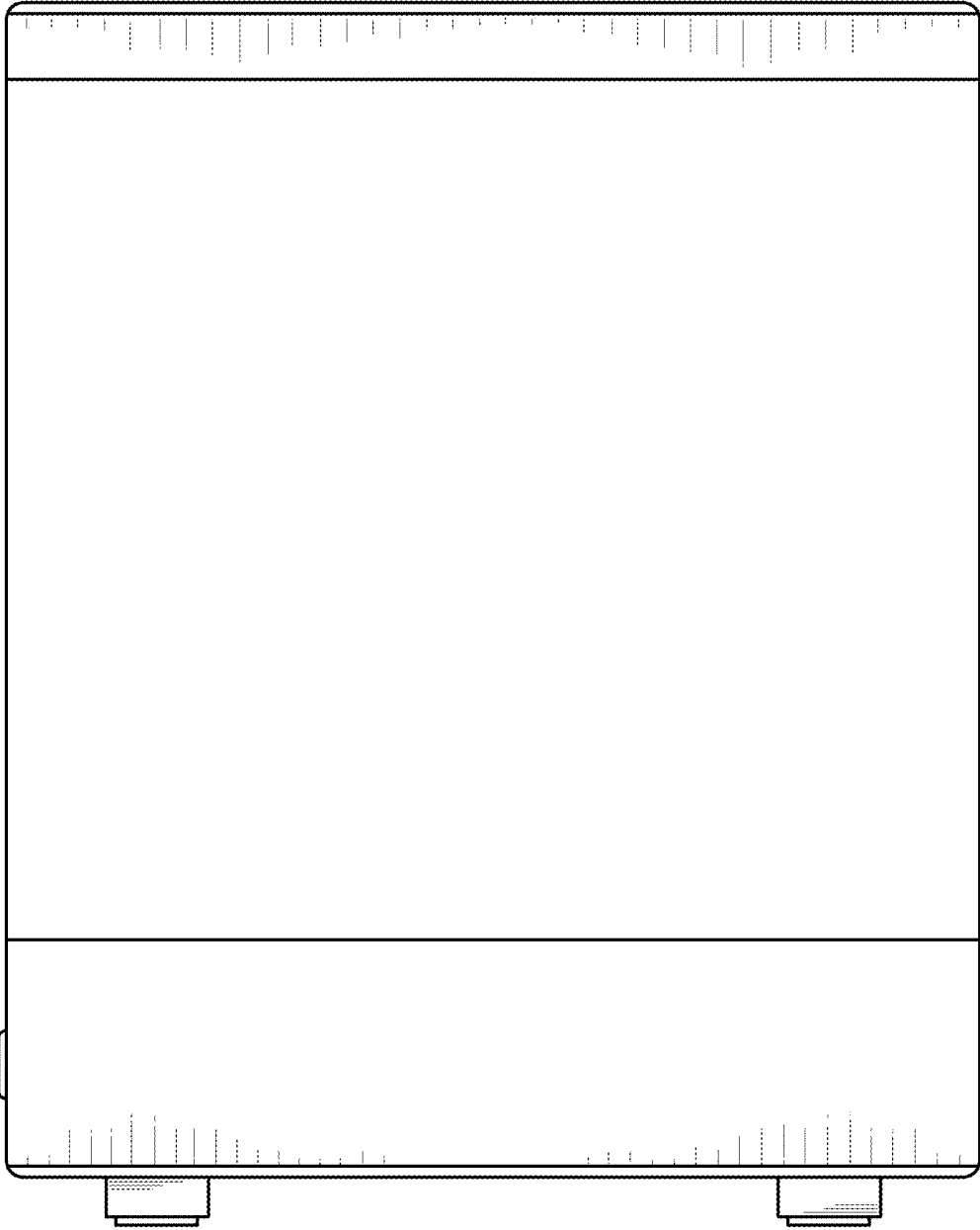


FIG. 5

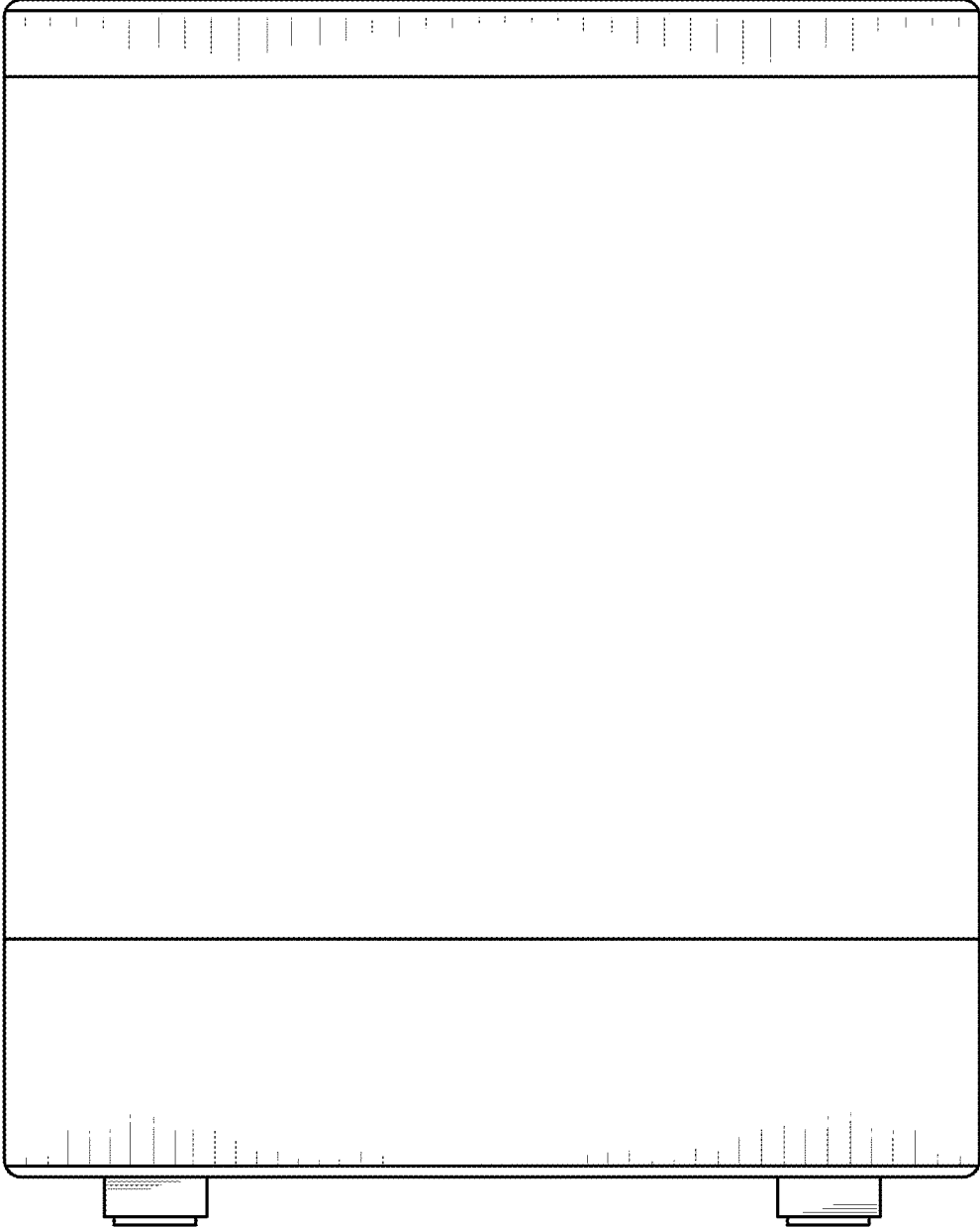


FIG. 6

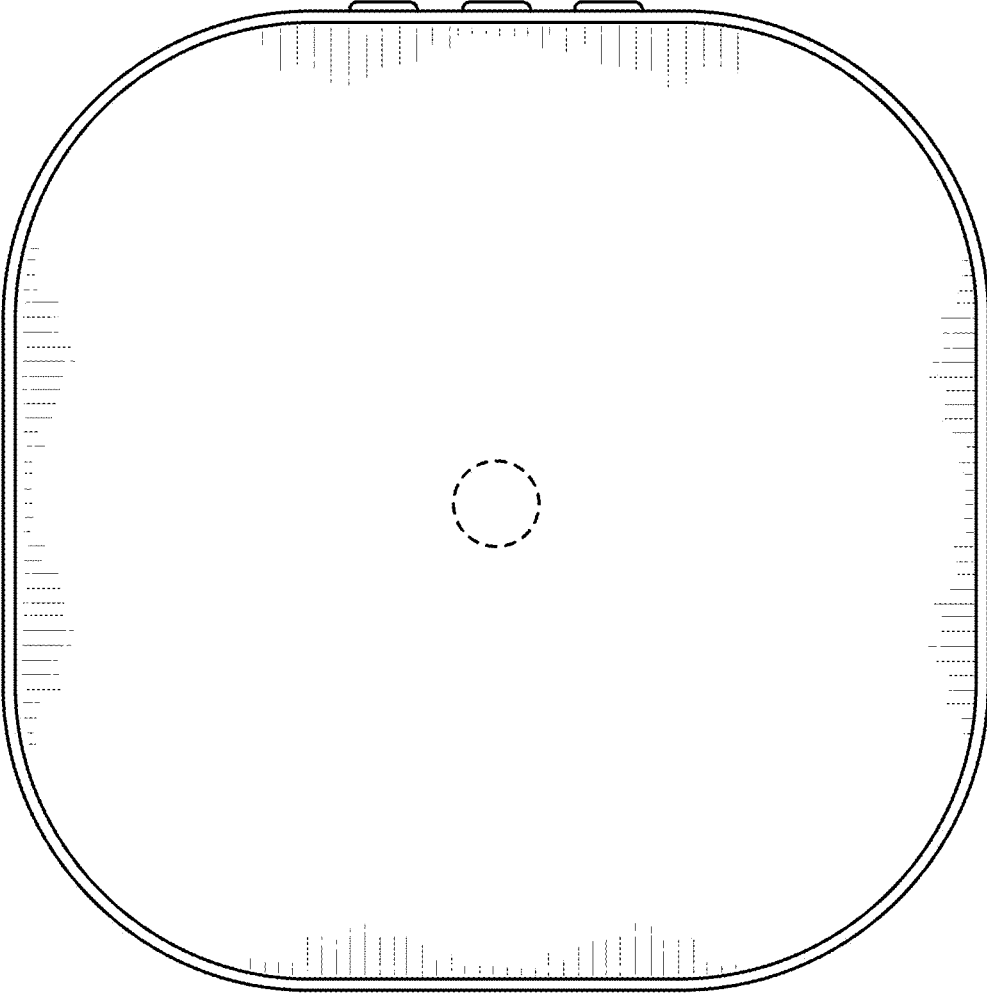


FIG. 7

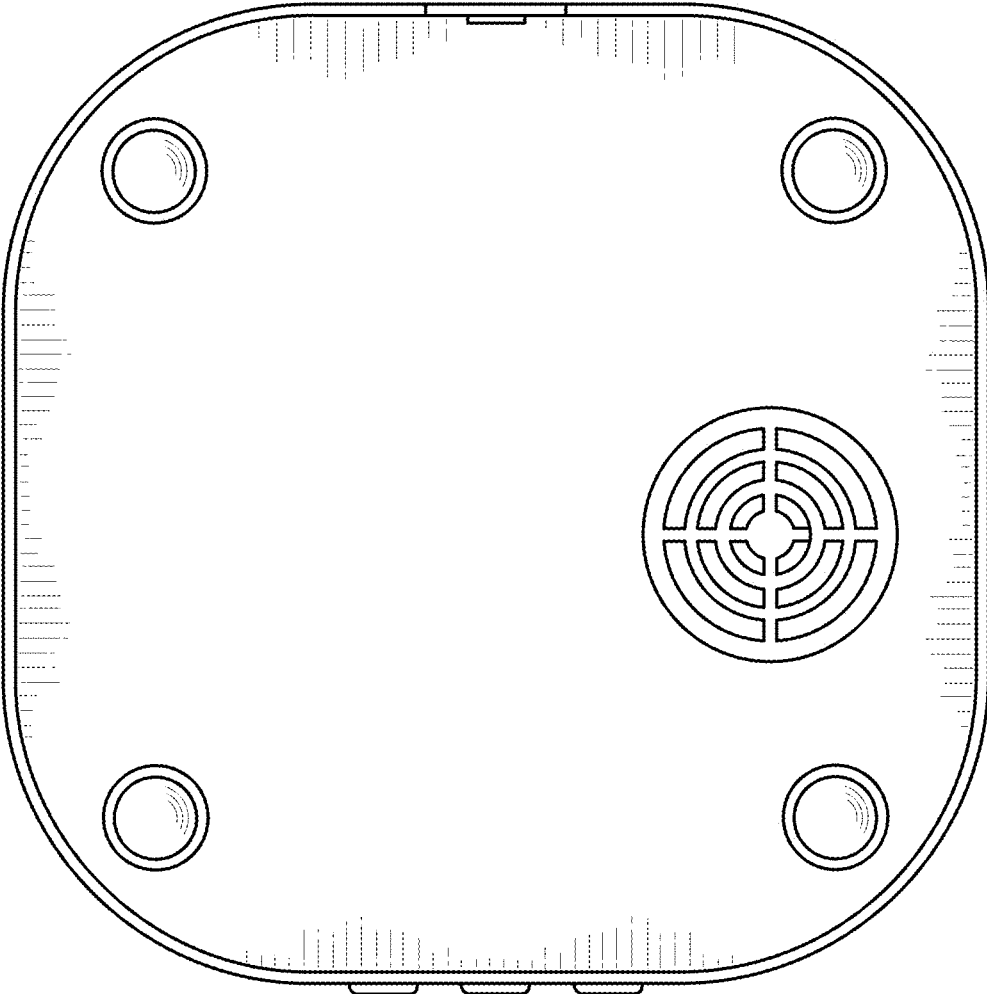


FIG. 8