



US00D525830S

(12) **United States Design Patent**
Pryor

(10) **Patent No.:** **US D525,830 S**

(45) **Date of Patent:** **** Aug. 1, 2006**

(54) **MINI OVEN DOOR**

(75) Inventor: **James Edward Pryor**, Clarksville, TN (US)

(73) Assignee: **Electrolux Home Products, Inc.**, Cleveland, OH (US)

(**) Term: **14 Years**

(21) Appl. No.: **29/227,723**

(22) Filed: **Apr. 14, 2005**

(51) **LOC (8) Cl.** **07-02**

(52) **U.S. Cl.** **D7/405**

(58) **Field of Classification Search** D7/339-341, D7/346-349, 402, 405, 406; 126/21 A, 39 B, 126/39 R; 219/391-392, 400, 449-450
See application file for complete search history.

(56) **References Cited**

U.S. PATENT DOCUMENTS

D375,867 S * 11/1996 Sparks D7/340
D429,954 S * 8/2000 Orzel et al. D7/405

D470,720 S * 2/2003 Jones et al. D7/405
D477,177 S * 7/2003 Jeong D7/340
D491,411 S * 6/2004 De Mello D7/340
D495,919 S * 9/2004 De Mello D7/340

* cited by examiner

Primary Examiner—Robert A. Delehanty

Assistant Examiner—Mark Cavanna

(74) *Attorney, Agent, or Firm*—Pearne & Gordon LLP

(57) **CLAIM**

The ornamental design for a mini oven door, as shown and described.

DESCRIPTION

FIG. 1 is a front perspective view of a first embodiment for an upper oven door and a lower mini oven door having a window therein;

FIG. 2 is a front view thereof;

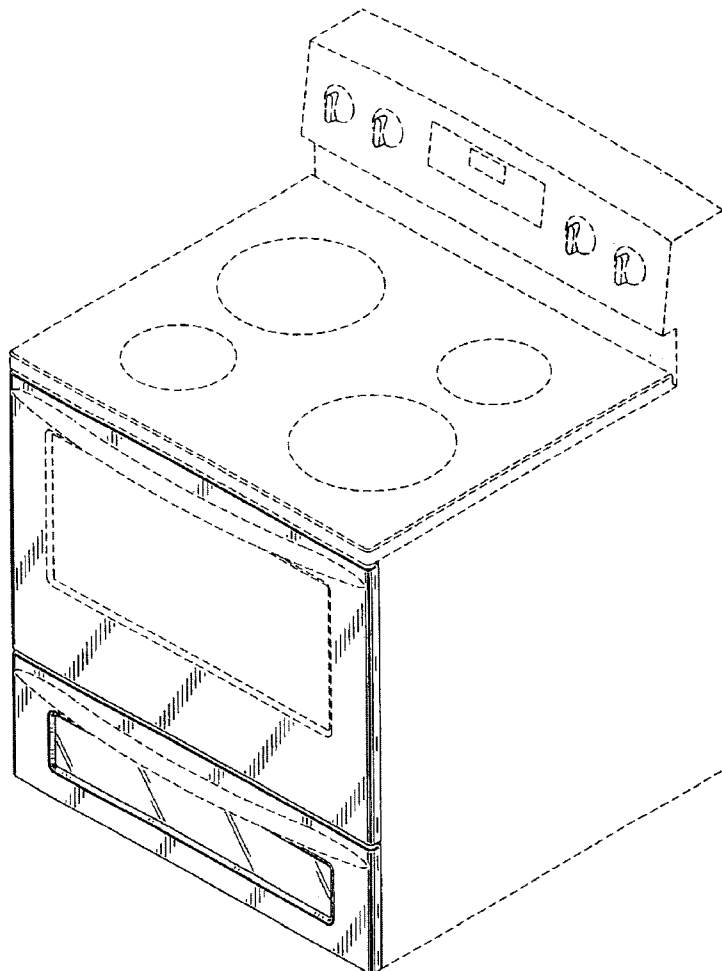
FIG. 3 is a left side view thereof;

FIG. 4 is a right side view thereof;

FIG. 5 is a top view thereof; and,

FIG. 6 is a bottom view thereof.

1 Claim, 6 Drawing Sheets



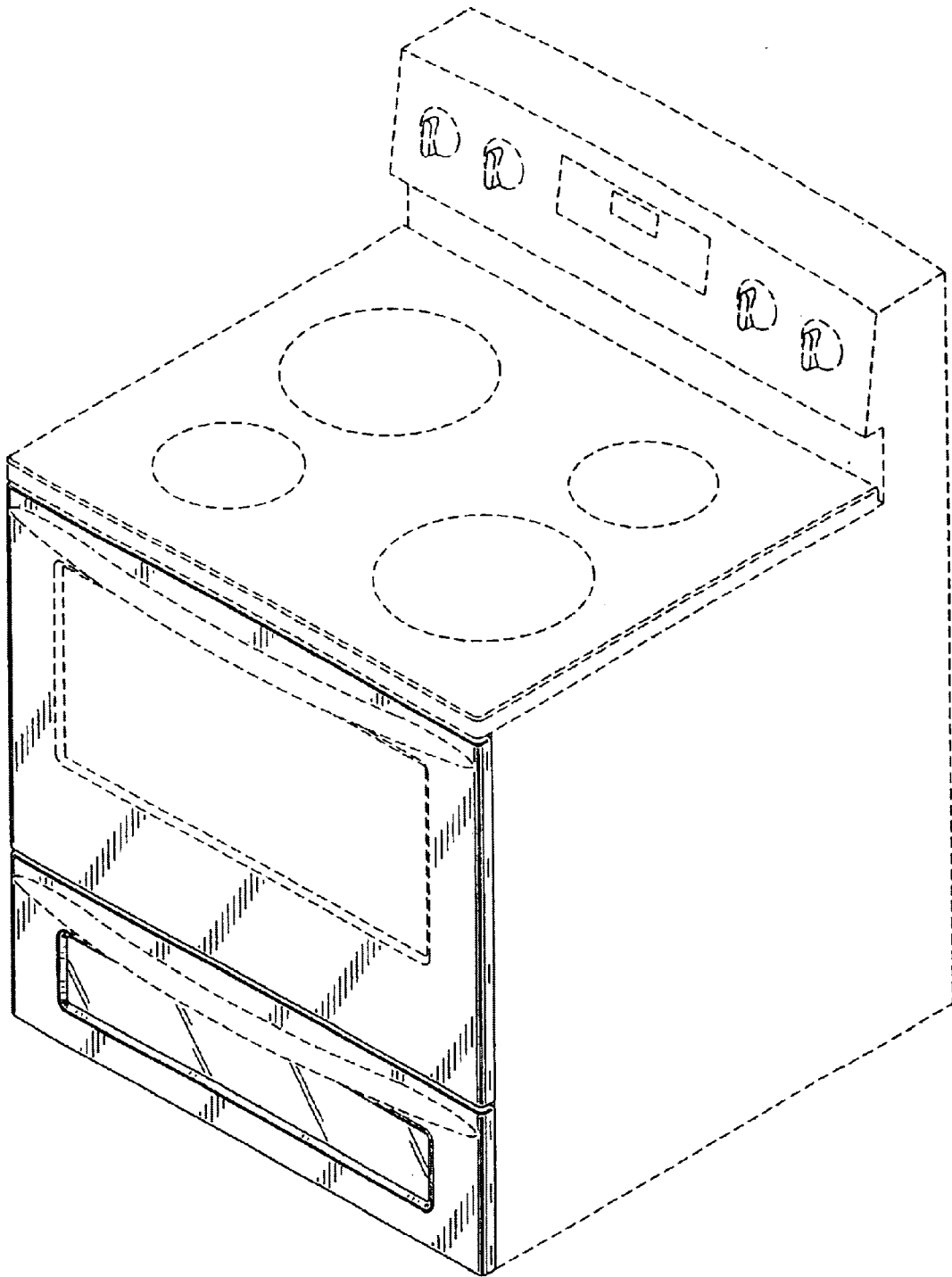


FIG. 1

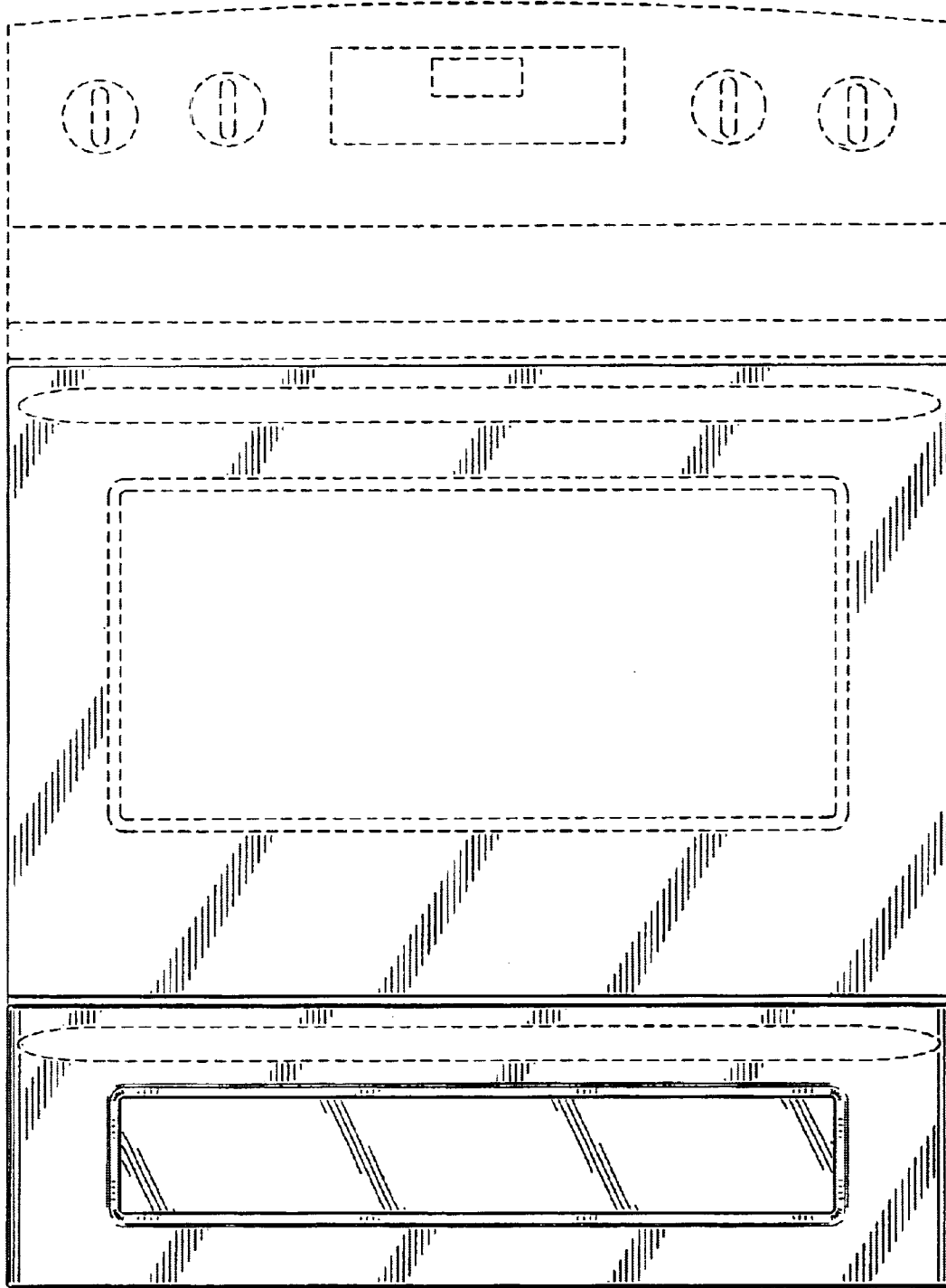


FIG. 2

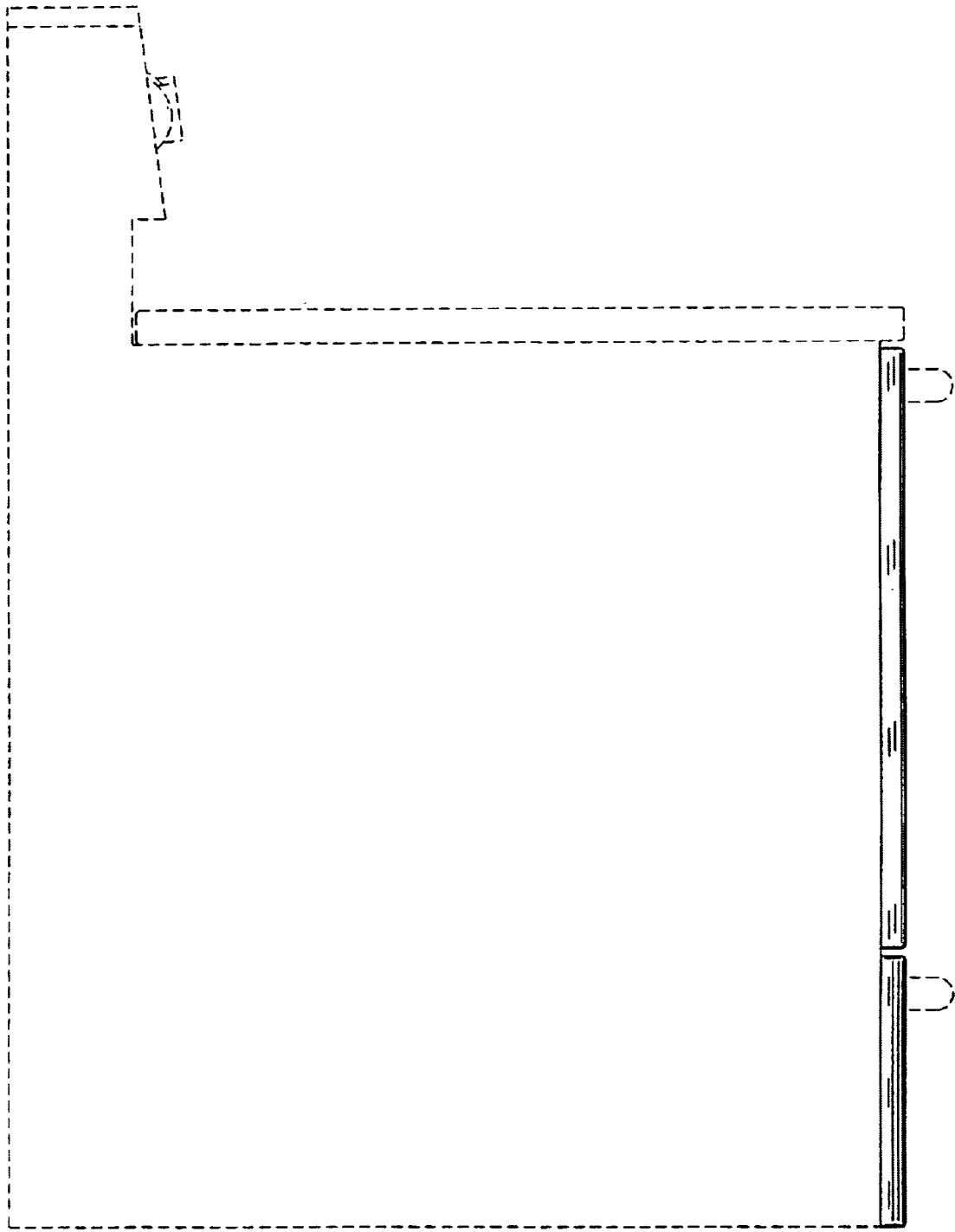


FIG. 3

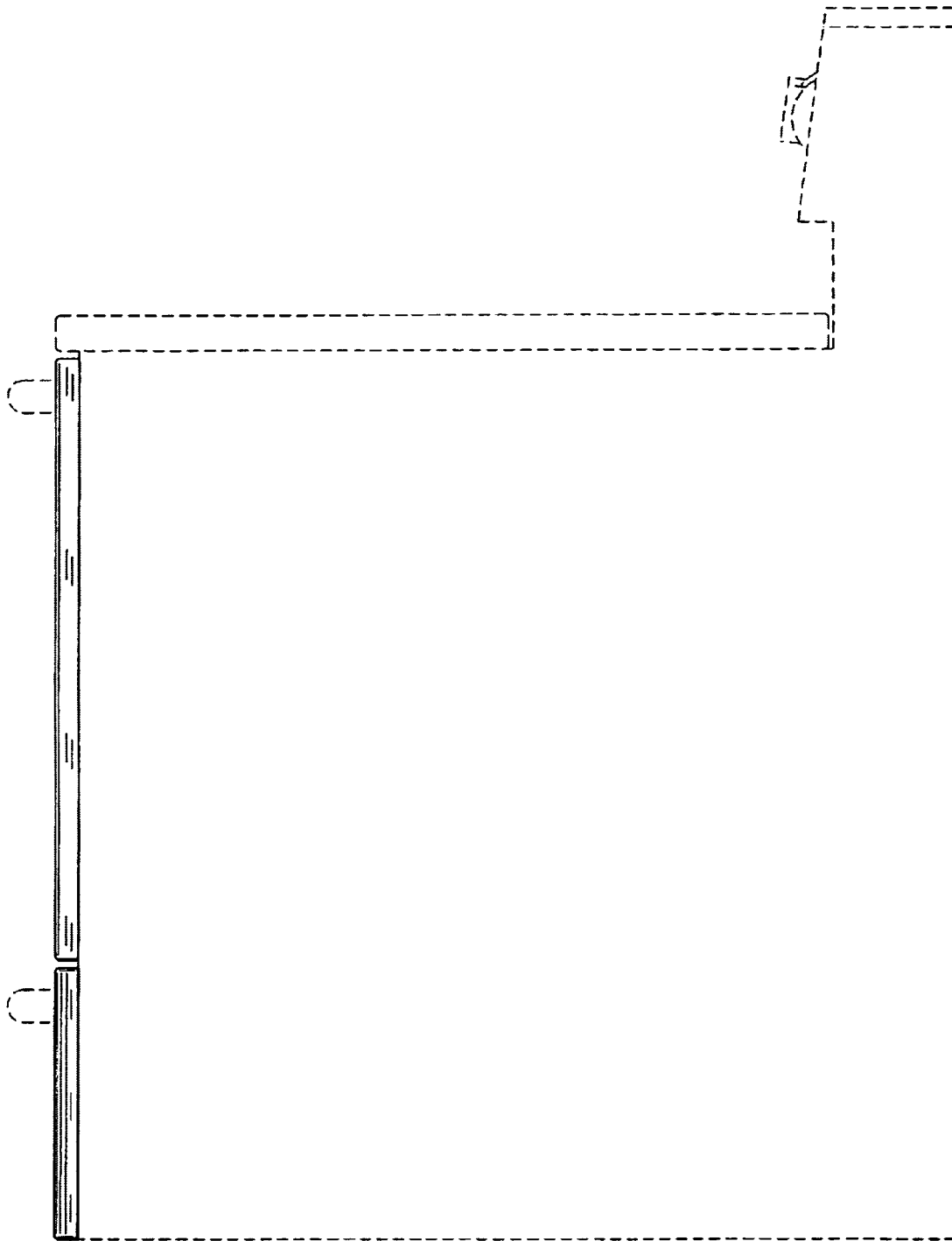


FIG. 4

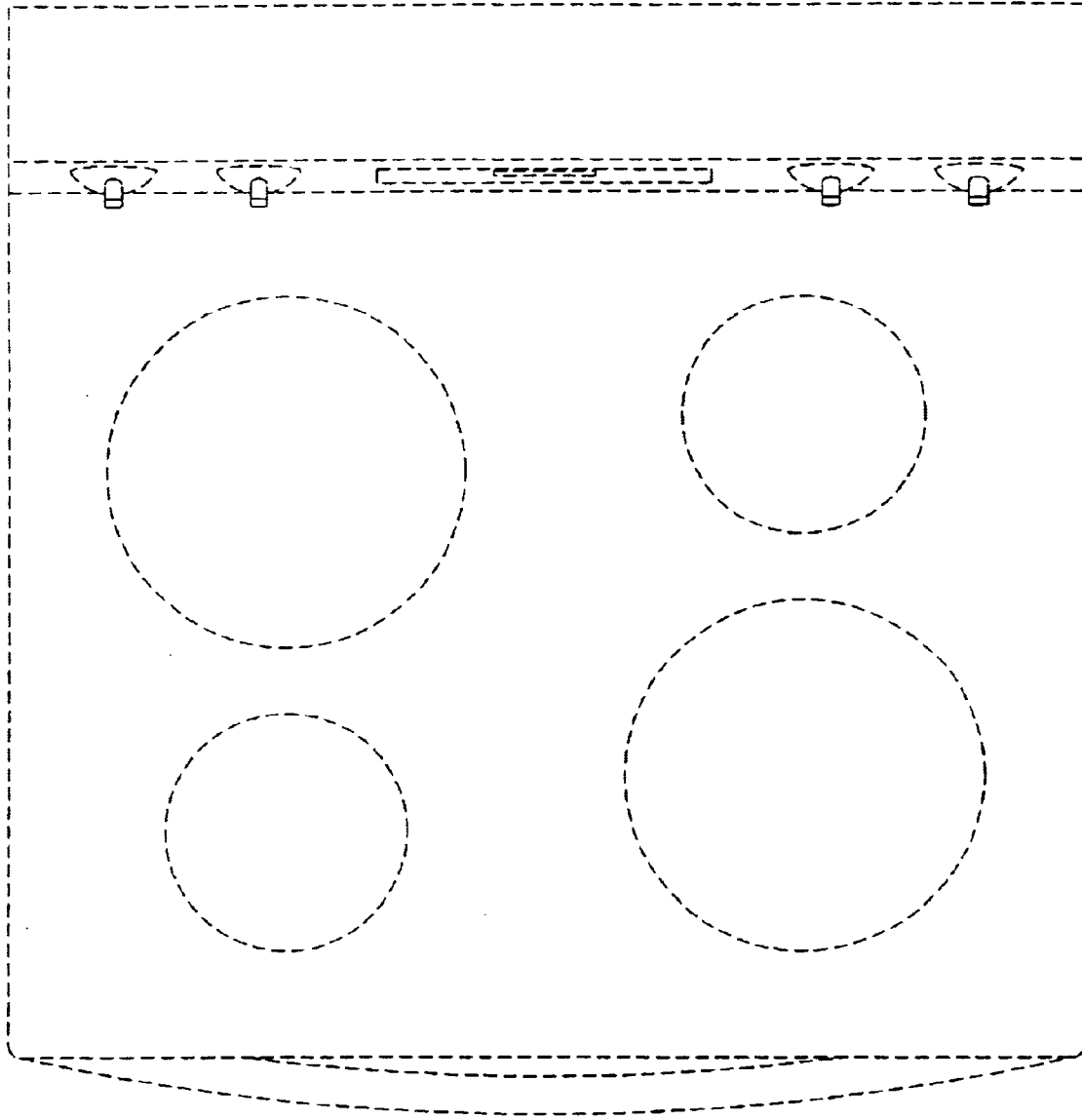


FIG. 5

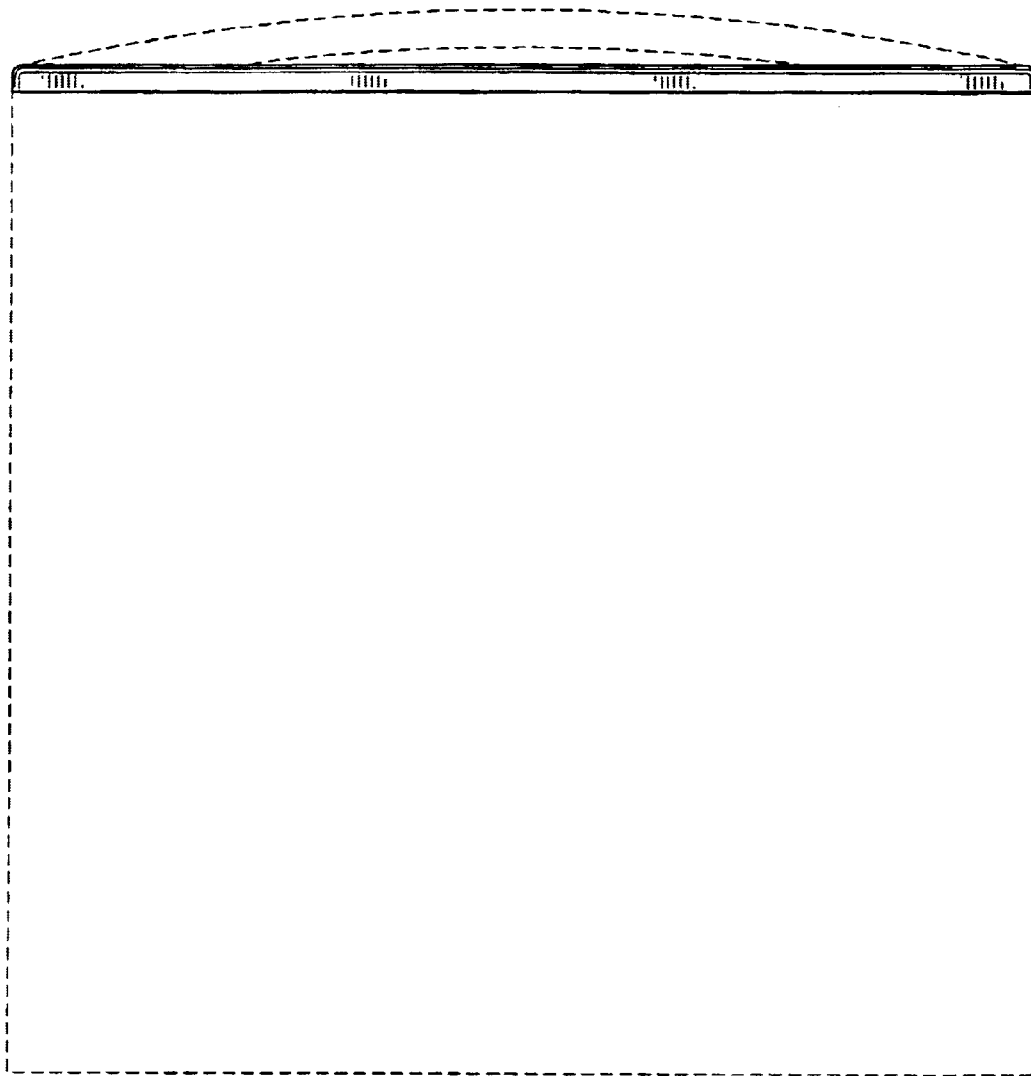


FIG. 6