



US00D413331S

**United States Patent** [19]  
**Martinson**

[11] **Patent Number: Des. 413,331**  
[45] **Date of Patent: \*\* Aug. 31, 1999**

- [54] **MOBILE TELEPHONE HOUSING**
- [75] Inventor: **Richard E. Martinson**, Sykesville, Md.
- [73] Assignee: **Westinghouse Electric Corporation**, Pittsburgh, Pa.
- [\*\*] Term: **14 Years**
- [21] Appl. No.: **29/078,964**
- [22] Filed: **Oct. 13, 1997**

D. 285,558	9/1986	Isaacs .....	D14/240
D. 286,635	11/1986	Yuen .....	D14/243
D. 286,776	11/1986	Pushelberg .....	D14/149
D. 327,886	7/1992	Yan .....	D14/155 X
D. 353,144	12/1994	Brandt et al. ....	D14/242
D. 368,097	3/1996	Heberling et al. ....	D14/242
D. 372,248	7/1996	Tahmassebpur .....	D14/242
D. 374,222	10/1996	Brandt .....	D14/118
D. 375,735	11/1996	Tochishita .....	D14/144
D. 405,799	2/1999	Ino .....	D14/240

*Primary Examiner*—Jeffrey Asch  
*Attorney, Agent, or Firm*—Robert P. Lenart

**Related U.S. Application Data**

- [63] Continuation-in-part of application No. 29/045,676, Oct. 26, 1995, abandoned.
- [51] **LOC (6) Cl.** ..... **14-03**
- [52] **U.S. Cl.** ..... **D14/240; D14/107; D14/144**
- [58] **Field of Search** ..... D14/137, 138, D14/140, 142, 147, 148, 240, 242, 256, 107, 243, 155, 159, 118, 149, 141, 144; 455/90, 550-575; 379/419, 420, 428, 440, 441, 442

[57] **CLAIM**

The ornamental design for a mobile telephone housing, as shown and described.

**DESCRIPTION**

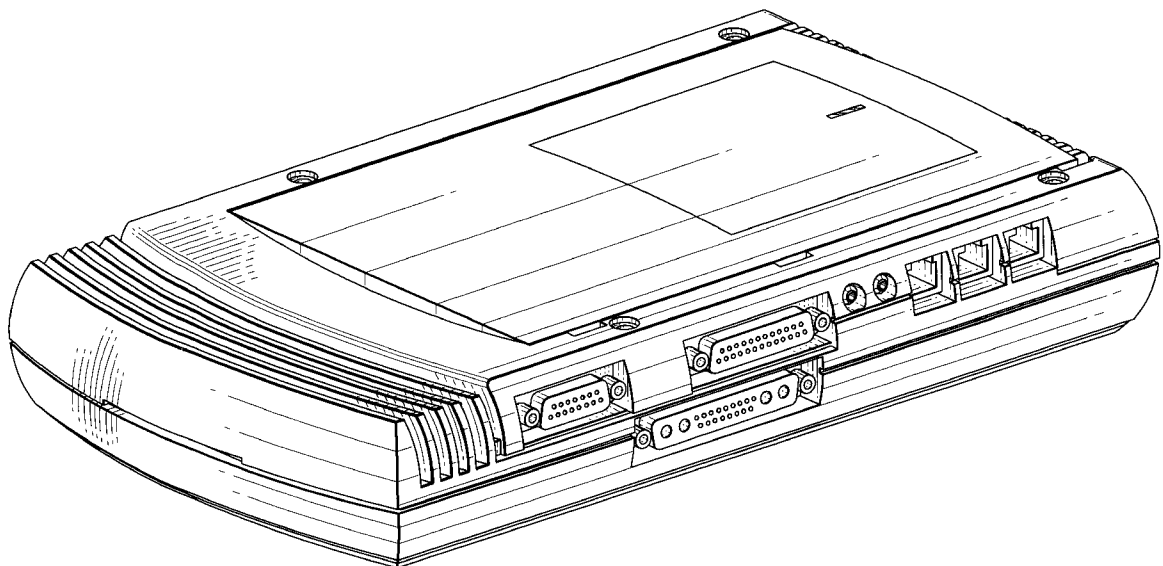
FIG. 1 is a left view of a mobile telephone housing, showing my new design;  
FIG. 2 is a top view thereof;  
FIG. 3 is a right view thereof;  
FIG. 4 is a bottom view thereof;  
FIG. 5 is a front view thereof;  
FIG. 6 is a rear view thereof; and,  
FIG. 7 is a perspective view illustrating the top, right and front views thereof.

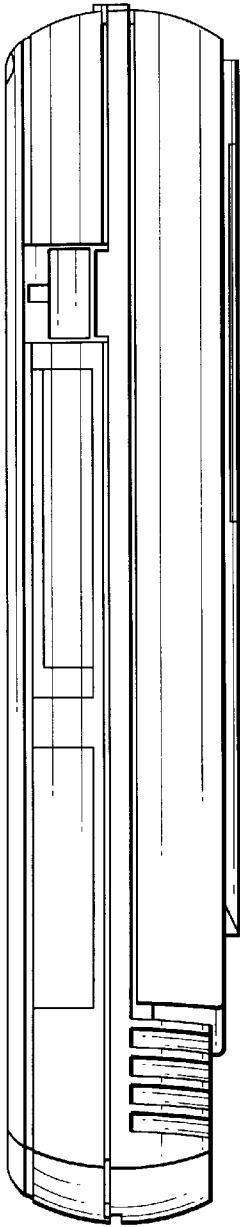
[56] **References Cited**

**U.S. PATENT DOCUMENTS**

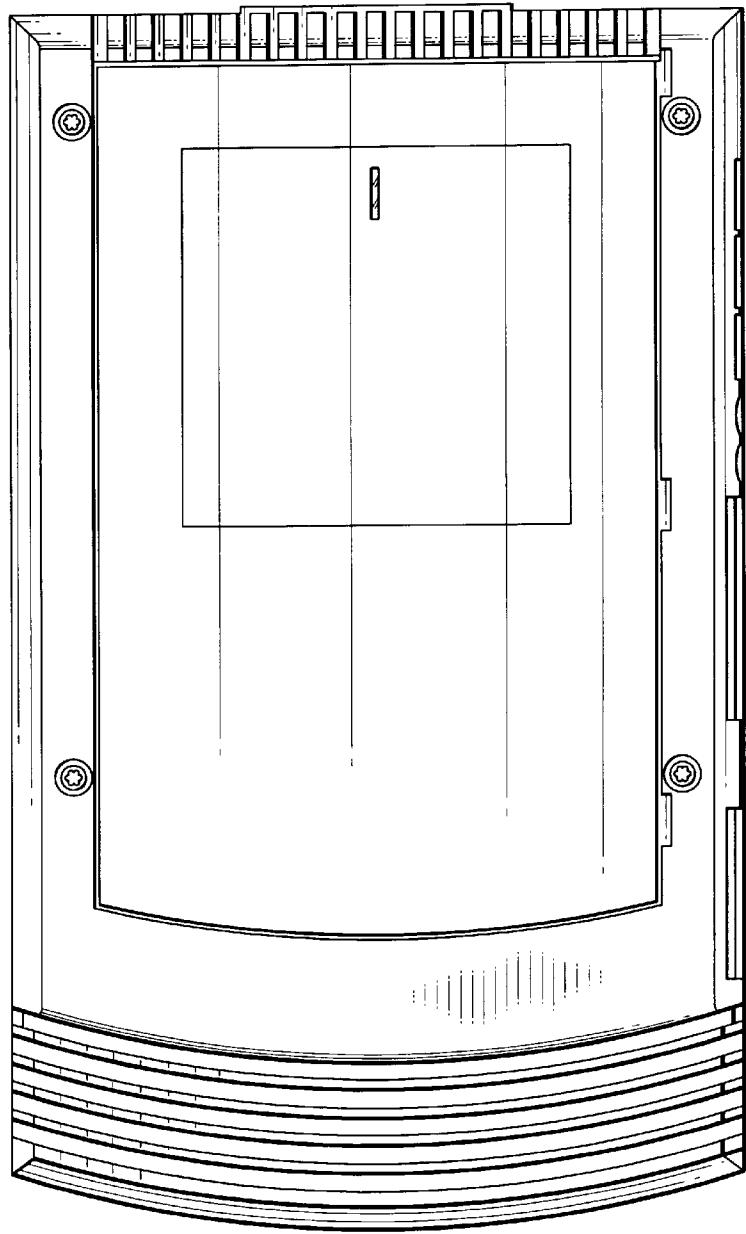
- D. 239,838 5/1976 Crimmins ..... D14/149
- D. 284,368 6/1986 Stansbury, Jr. .... D14/141

**1 Claim, 4 Drawing Sheets**

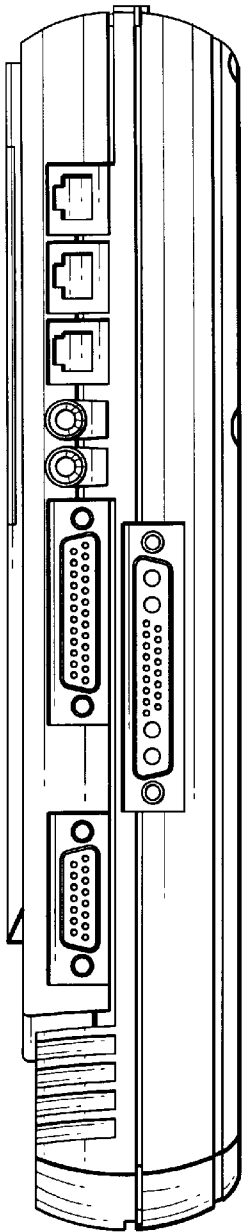




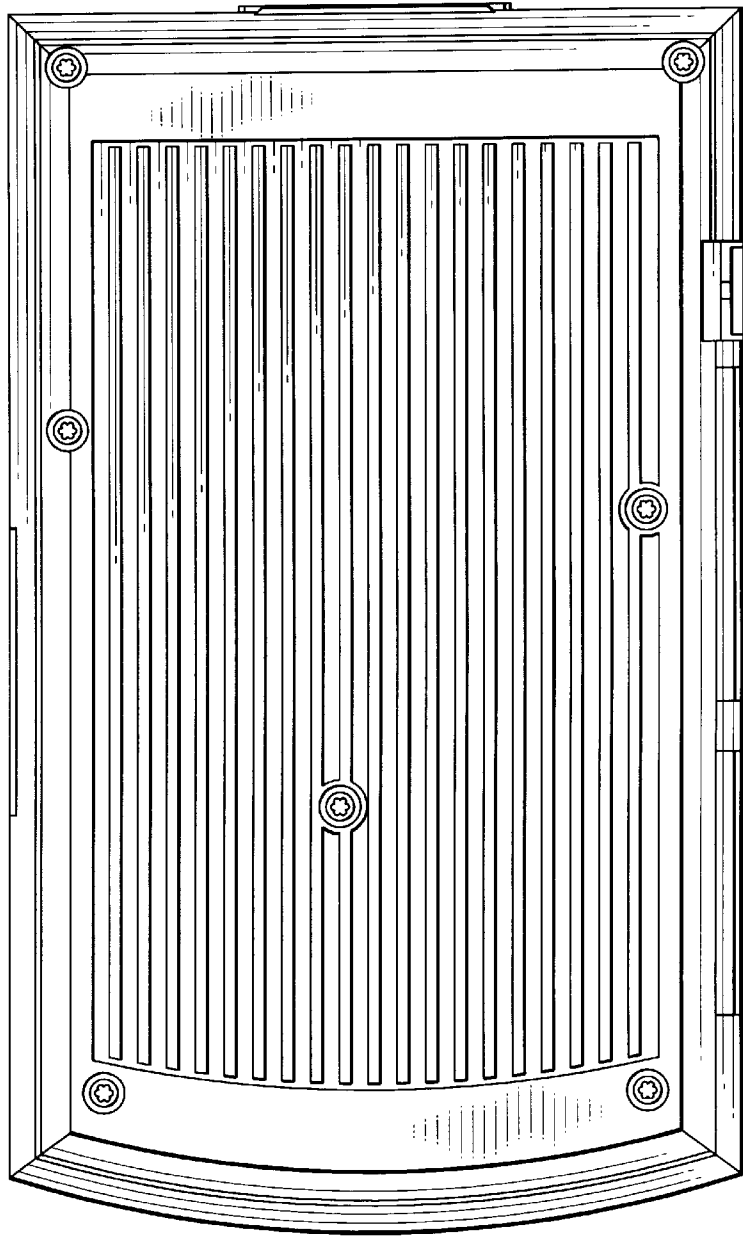
**FIG. 1**



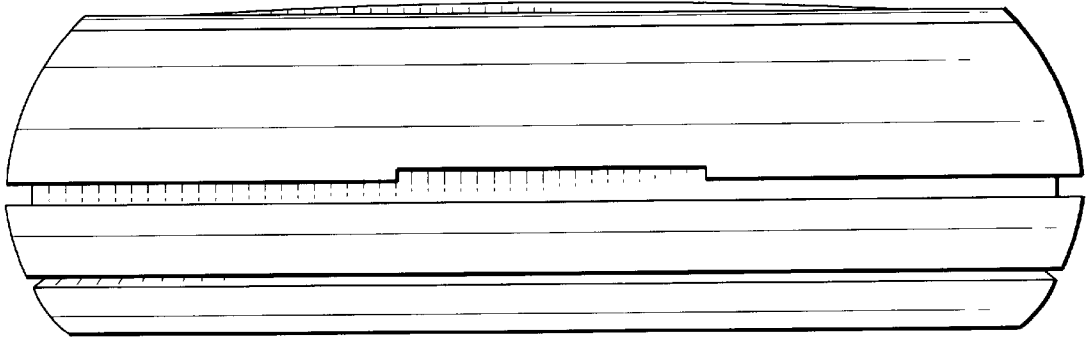
**FIG. 2**



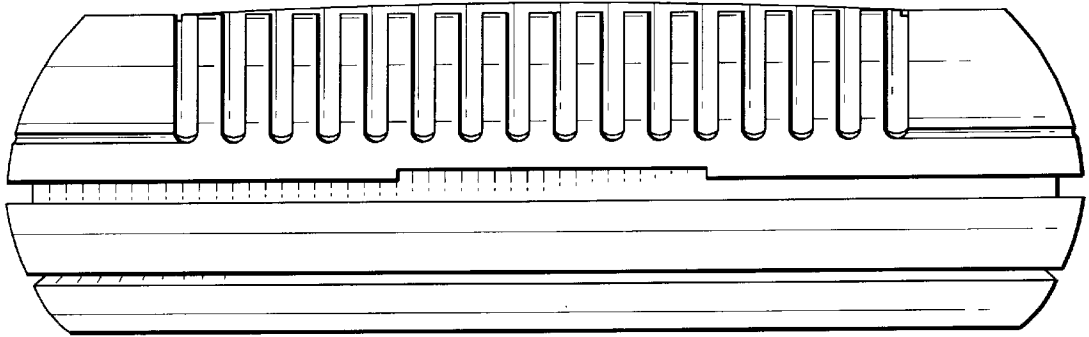
**FIG. 3**



**FIG. 4**



*FIG. 5*



*FIG. 6*

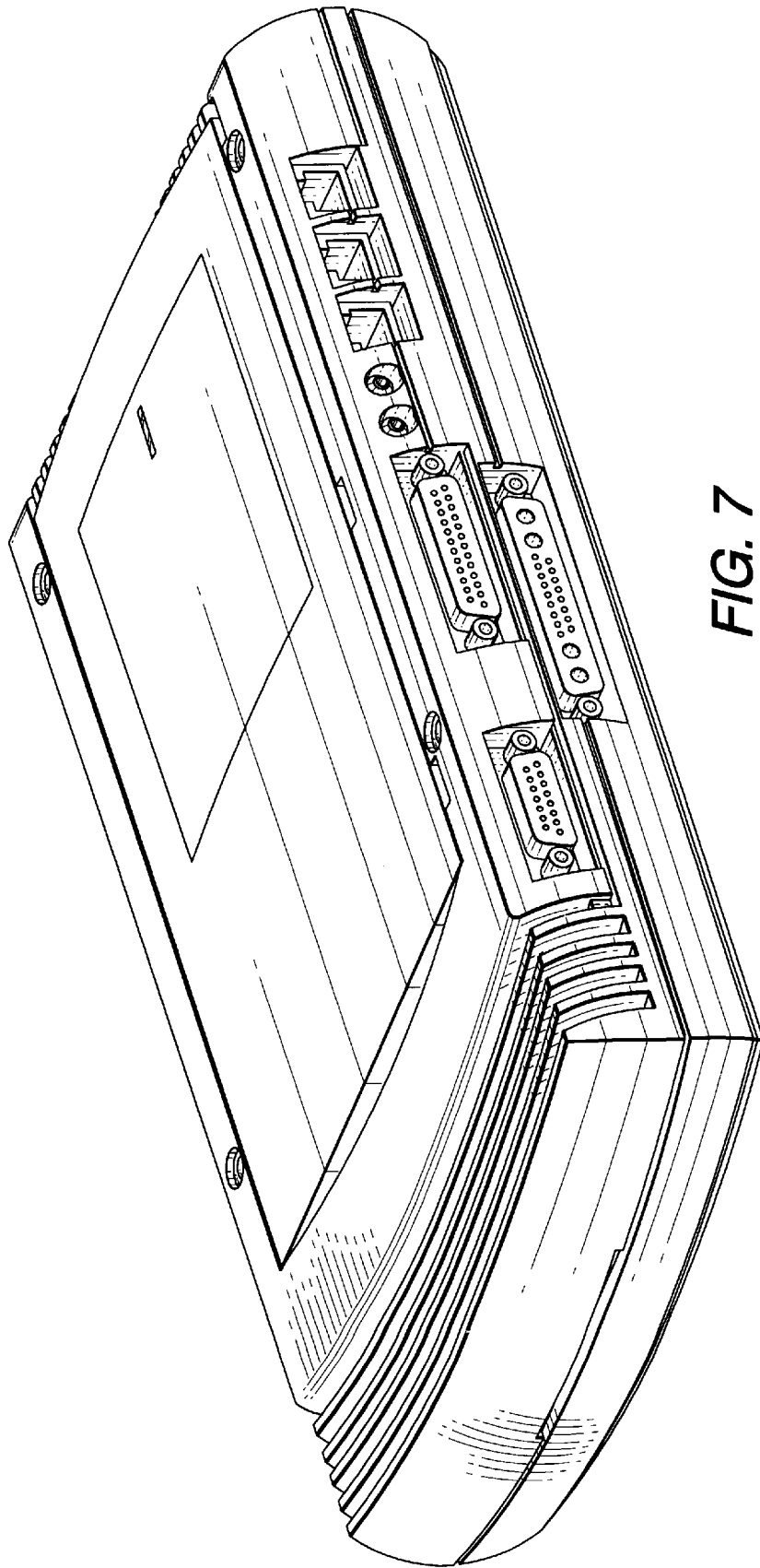


FIG. 7