



(22) Date de dépôt/Filing Date: 2007/04/18
(41) Mise à la disp. pub./Open to Public Insp.: 2008/10/18

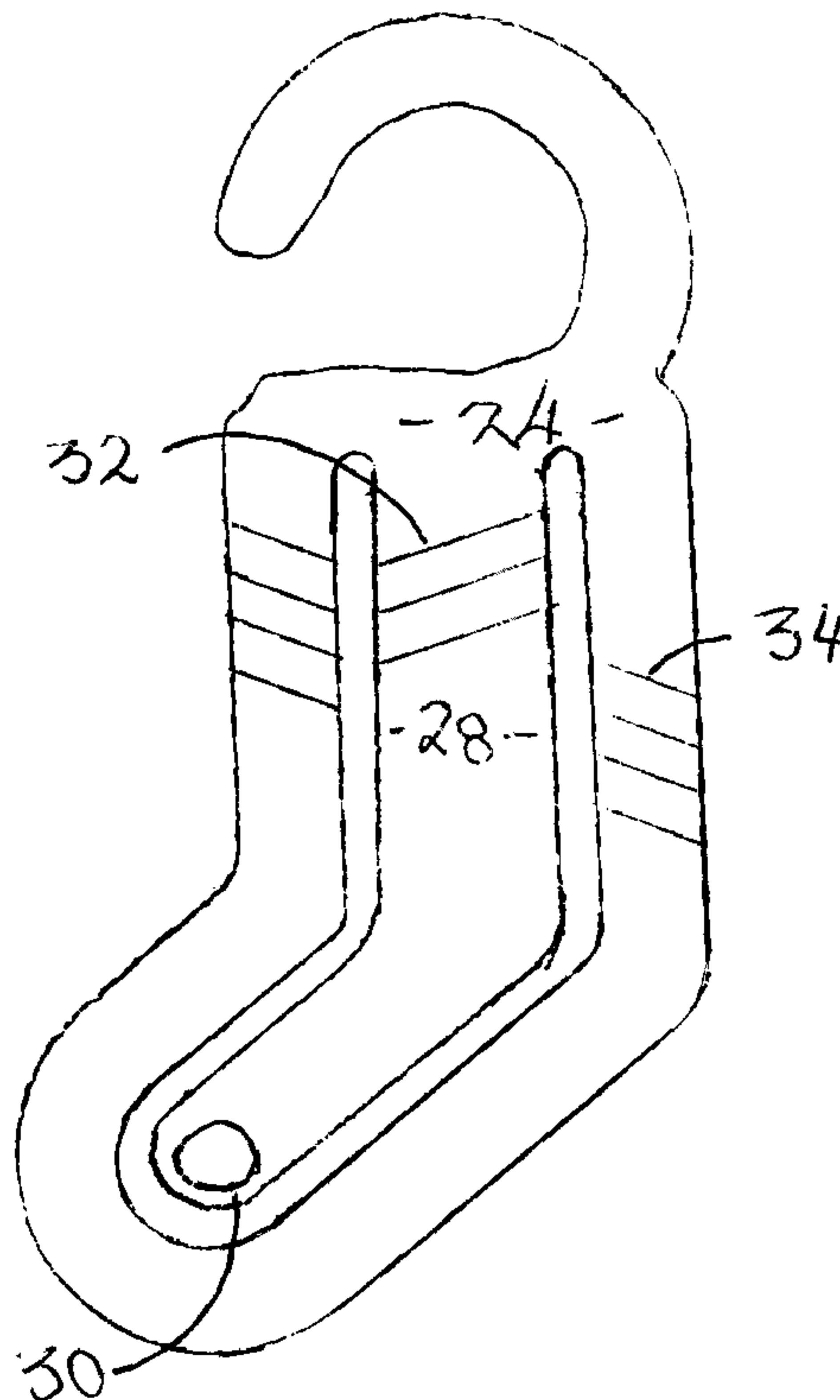
(51) Cl.Int./Int.Cl. *A47G 25/00* (2006.01),
F16B 2/22 (2006.01), *D06F 93/00* (2006.01)

(71) Demandeur/Applicant:
AZZOPARDI, TONI, CA

(72) Inventeur/Inventor:
AZZOPARDI, TONI, CA

(74) Agent: WILBUR, JAMES T.

(54) Titre : AGRAFE DE LIAISON DE VETEMENTS
(54) Title: CLIP FOR INTERCONNECTING GARMENTS



This invention relates to clips for interconnecting garments such as socks and mitts and more particularly to a clip which may be easily attached and detached from a pair of garments and which lies substantially flat and occupies little space in a drawer.

It often happens that when a garment that belongs in a pair such as a sock or a mitt is washed or put away for storage, the garment will separate from its mate. Children often drop outside clothing carelessly on the floor when they come indoors and when they do, one of a pair of mitts is apt to become lost. Carelessness may also be the cause of lost socks for when a large load of washing is not sorted carefully before it is put away, socks may separate from their mates and become odd socks in the drawer where they are put.

I have invented a clip which substantially overcomes the problem of lost garments in the foregoing situations. The clip may be used to attach two garments such as socks while they are being washed or dried and while they are being stored. The clip can also be used by a child to attach two mitts after they are taken off and before they are dropped on a floor. The clip is easy to attach, occupies little space while it is attached and is easily removed when the socks or mitts are to be worn.

Briefly, the clip of my invention includes an outer element having an opening and oppositely facing front and back walls; and an inner element disposed within the opening and having front and back walls and upper and lower ends, the upper end being connected to the outer element, the inner element being biased by resilient means such that its front and back

walls are co-planar with the front and back walls, respectively, of the outer element.

The clip of the invention is illustrated in the drawings and photographs in which:

Figure 1 is an elevation of the front of the clip;

Figure 2 is an elevation of the back of the clip;

Figures 3 and 4 are elevations of the clip in conjunction with a pair of socks;

Figure 5 is an elevation of the clip attached to a sock;

Figure 6 is an elevation of the clip in conjunction with a pair of socks which are folded for storage;

Figure 7 is an elevation of the clip in conjunction with a pair of socks to which a label is attached; and

Figure 8 is an elevation of the front of a second embodiment of the clip. .

Like reference characters refer to like parts throughout the description of the drawings.

With reference to Figures 1 and 2, the clip of the invention, generally 10, has an outer element 12 and an inner element 14. The inner element is located within an opening 16 in the outer element and is connected to the outer element at its upper end, generally 14a.

The clip is preferably in the shape of a sock since it is believed that the clip will be most frequently used to hold a pair of socks. .

Preferably, the clip is formed of a single piece of plastic and the inner element is defined and surrounded by a slot 20 which extends around the outer edge 14b of the inner element. The

slot terminates at the upper end 14a of the inner element where the inner element is integral with the outer element.

The inner and outer components of the clip are composed of resilient material such that the inner element is resiliently biased into a co-planar relationship with the outer element. Accordingly, the front and back walls 22, 24, of the outer element are normally co-planar with the front and back walls 26, 28, respectively, of the inner element.

When a bending force, opposed to the bias of the resilient material, is applied to the inner component, the latter component bends or pivots about its upper end. As it bends, the space between it and the outer component enlarges to admit the cuffs or ends of one or two garments such as socks or mitts. When the inner component is no longer bent, the inner component returns to its undeformed state and thereby decreases the size of the space with resulting engagement of the socks or mitts between the inner and outer components.

A protuberance 30 is formed on the lower end 14c of the inner element. The protuberance extends outwardly from both the front and back walls of the inner element. A number of parallel spaced ribs 32 are also formed on the front and back walls of the inner component. Preferably like ribs 34 are also formed on the front and back walls of the outer element.

A hook 36 is formed on the outer element for hanging the clip onto a bracket or a clothes rack. The hook is positioned such that the upper end of the inner element is above its lower end.

Figures 3 to 7 show the various ways in which the clip may be used to interconnect a pair

of socks. In Figures 3 the lower end of the inner element of the clip functions to secure the socks to the clip whereas in Figure 4, the entire inner element secures the socks to the clip. It will be evident that the socks are more firmly and reliably secured to one another in Figure 4 than in Figure 3.

In Figure 5, the clip is also used to secure two socks but the socks are parallel to and side by side one another in Figure 5 whereas in Figures 3 and 4, the socks are not.

Figure 6 shows the way in which a label can be added to or formed integrally with the clip. In that Figure, two socks that have been folded together. The inner and outer elements of the clip have been attached to the hems of the socks. Hook 36 of Figures 1 and 2 has been replaced by a circular label 40 on which some information or advertising has been printed. The same hook is used in Figure 7 to interconnect the hems of two socks which are parallel to one another and unconnected.

With reference to Figure 8, the clip, generally 50, is the same as that illustrated in Figures 3,4,5. It differs from the clip of Figures 1 and 2 in two respects: first, hook 36 of Figures 1 and 2 has been replaced by a circular generally flat panel 52. Secondly, the clip lacks a protuberance on its lower end 54a of the inner element 54. In all other respects however it is the same as the clip of Figures 1 and 2.

Panel 50 is provided primarily for advertising purposes. It can, for example, display the sock manufacturer's logo, its name or other illustration or information that will enhance sales. Alternatively, the panel can display instructions for use of the clip or other like information.

A loop such as that illustrated in Figures 6 and 7 can be attached to the upper edge of the panel for hanging the clip onto a bracket or a clothes rack. Alternatively, a hook such as hook 36 of Figure 1 can be substituted for a loop for the same purpose.

It will be understood, of course, that modifications can be made in the clip of the invention without departing from the scope and purview of the invention as defined in the appended claims.

I claim:

1. A clip for interconnecting a pair of garments, said clip comprising: an outer element having an opening and oppositely facing front and back walls; and an inner element disposed within said opening and having front and back walls and upper and lower ends, said upper end being connected to said outer element, said inner element being biased by resilient means such that its front and back walls are co-planar with the front and back walls, respectively, of said outer element.
2. The clip of claim 1 wherein said inner element has a plurality of parallel spaced ribs disposed on its front and back walls.
3. The clip of claims 1 or 2 further including a hook formed on said outer element for hanging said clip such that said upper end of said inner element is above said lower end.
4. The clip of claims 1 or 2 further including a protuberance formed on said inner element adjacent to its lower end.

Application number / numéro de demande: 2585384

Figures: 3, 4, 5, 6, 7

Pages: _____

Unscannable item(s)

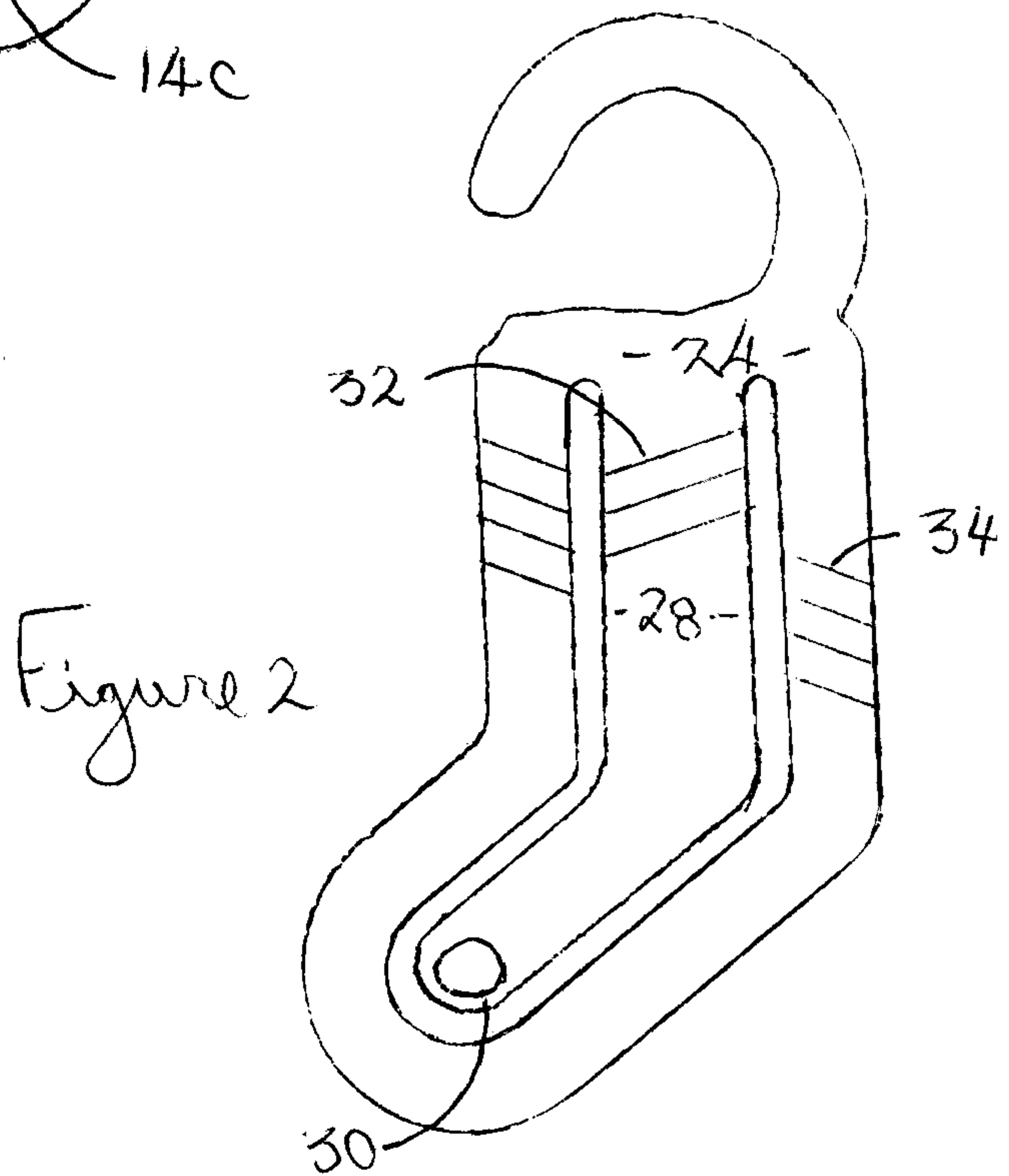
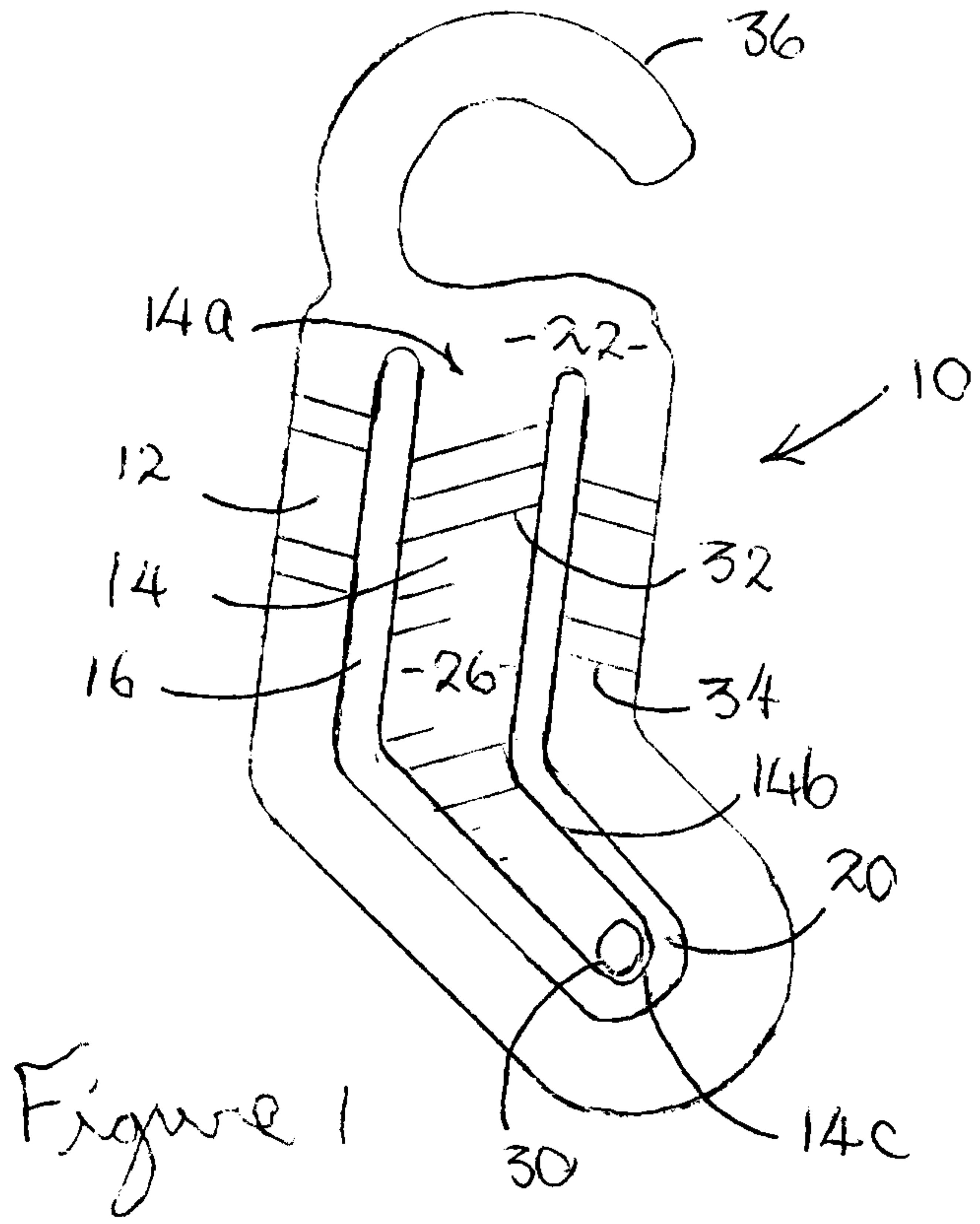
received with this application

To inquire if you can order a copy of the unscannable items, please visit the
CIPO WebSite at [HTTP://CIPO.GC.CA](http://CIPO.GC.CA)

Item(s) ne pouvant être balayés

Documents reçus avec cette demande ne pouvant être balayés.

Pour vous renseigner si vous pouvez commander une copie des items ne
pouvant être balayés, veuillez visiter le site web de l'OPIC au [HTTP://CIPO.GC.CA](http://CIPO.GC.CA)



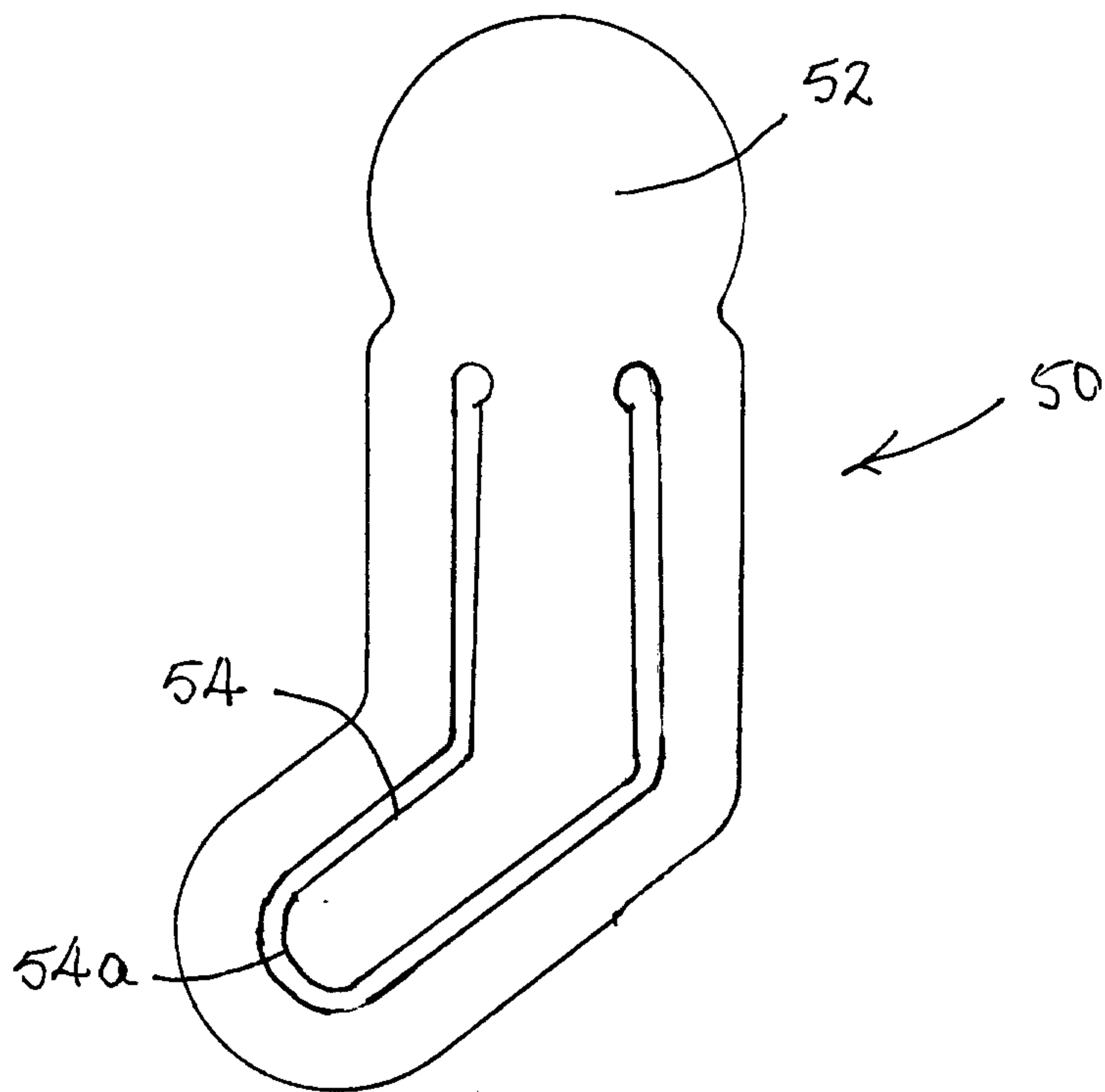


Figure 8

