

(19) World Intellectual Property Organization
International Bureau



(43) International Publication Date
8 February 2007 (08.02.2007)

PCT

(10) International Publication Number
WO 2007/016348 A3

- (51) **International Patent Classification:**
A61F 2/06 (2006.01)
- (21) **International Application Number:**
PCT/US2006/029424
- (22) **International Filing Date:** 28 July 2006 (28.07.2006)
- (25) **Filing Language:** English
- (26) **Publication Language:** English
- (30) **Priority Data:**
60/703,421 29 July 2005 (29.07.2005) US
- (71) **Applicant (for all designated States except US):** CVDEVICES, LLC [US/US]; 4 Limoges, Newport Coast, CA 92657 (US).
- (72) **Inventors; and**
- (75) **Inventors/Applicants (for US only):** KASSAB, Ghasan, S. [US/US]; 6725 W. Stonegate, Zionsville, IN 46077 (US). NAVIA, Jose, A. [AR/AR]; Suipacha 1308 4b, 1011, Buenos Aires (AR).
- (74) **Agent:** MOAZZAM, Fariborz; MOAZZAM & ASSOCIATES, LLC, 7787 Leesburg Pike, Suite 200, Falls Church, VA 22043-2412 (US).
- (81) **Designated States (unless otherwise indicated, for every kind of national protection available):** AE, AG, AL, AM, AT, AU, AZ, BA, BB, BG, BR, BW, BY, BZ, CA, CH, CN, CO, CR, CU, CZ, DE, DK, DM, DZ, EC, EE, EG, ES, FI, GB, GD, GE, GH, GM, HN, HR, HU, ID, IL, IN, IS, JP,

KE, KG, KM, KN, KP, KR, KZ, LA, LC, LK, LR, LS, LT, LU, LV, LY, MA, MD, MG, MK, MN, MW, MX, MZ, NA, NG, NI, NO, NZ, OM, PG, PH, PL, PT, RO, RS, RU, SC, SD, SE, SG, SK, SL, SM, SY, TJ, TM, TN, TR, TT, TZ, UA, UG, US, UZ, VC, VN, ZA, ZM, ZW.

- (84) **Designated States (unless otherwise indicated, for every kind of regional protection available):** ARIPO (BW, GH, GM, KE, LS, MW, MZ, NA, SD, SL, SZ, TZ, UG, ZM, ZW), Eurasian (AM, AZ, BY, KG, KZ, MD, RU, TJ, TM), European (AT, BE, BG, CH, CY, CZ, DE, DK, EE, ES, FI, FR, GB, GR, HU, IE, IS, IT, LT, LU, LV, MC, NL, PL, PT, RO, SE, SI, SK, TR), OAPI (BF, BJ, CF, CG, CI, CM, GA, GN, GQ, GW, ML, MR, NE, SN, TD, TG).

Declarations under Rule 4.17:

- as to applicant's entitlement to apply for and be granted a patent (Rule 4.17(ii))
- as to the applicant's entitlement to claim the priority of the earlier application (Rule 4.17(iii))
- of inventorship (Rule 4.17(iv))

Published:

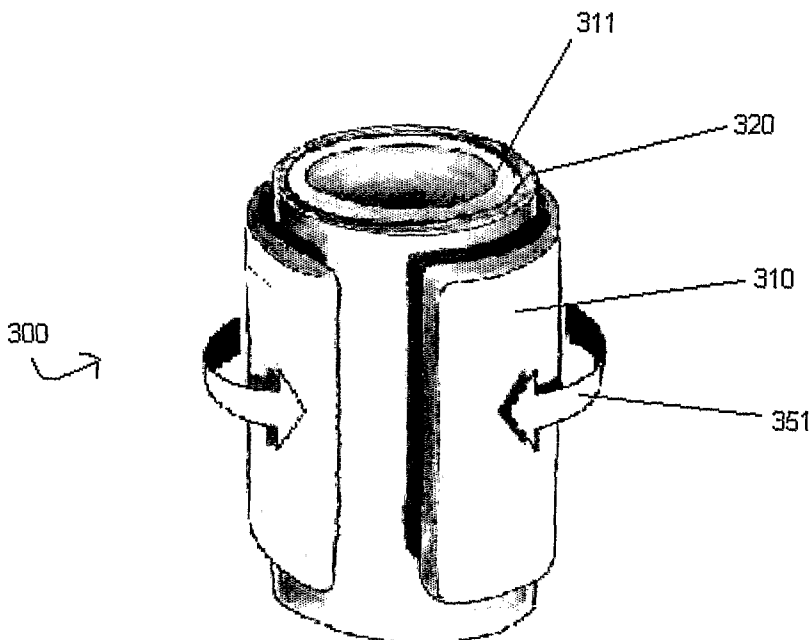
- with international search report
- before the expiration of the time limit for amending the claims and to be republished in the event of receipt of amendments

(88) Date of publication of the international search report:

14 June 2007

For two-letter codes and other abbreviations, refer to the "Guidance Notes on Codes and Abbreviations" appearing at the beginning of each regular issue of the PCT Gazette.

(54) **Title:** DEVICES AND METHODS FOR MAGNETIC TISSUE SUPPORT



(57) **Abstract:** Devices and methods are disclosed for providing tissue support within the body. A metallic component and a magnetic component are used and allowed to interact through the body of the tissue such that the attractive forces between these components provides the external support needed by that tissue to properly function within its position. Such a technique is described with respect to the particular example of correction of aneurysms.

WO 2007/016348 A3

INTERNATIONAL SEARCH REPORT

International application No.

PCT/US 06/29424

A. CLASSIFICATION OF SUBJECT MATTER

USPC - 623/1.11

IPC(8) - A61F 2/06 (2007.01)

According to International Patent Classification (IPC) or to both national classification and IPC

B. FIELDS SEARCHED

Minimum documentation searched (classification system followed by classification symbols)

USPC - 623/1.11, 1.15

Documentation searched other than minimum documentation to the extent that such documents are included in the fields searched
Article titled "The Effect of Magnetic Stent on Coronary Restenosis After Percutaneous Transluminal Coronary Angioplasty" by LU et al. in the Chinese Medical Journal, Aug 2001, 114, (8), p. 821-3.

Electronic data base consulted during the international search (name of data base and, where practicable, search terms used)

WEST (USPAT, PGPUB, JPAB, EPAB): magnet\$, stent, prosthesis, aneurysm, pressure, vascular anastomosis
DIALOG (Life Sciences) 1990-2005: magnet? and stent not resonance
GOOGLE SCHOLAR: magnetic stent

C. DOCUMENTS CONSIDERED TO BE RELEVANT

Category*	Citation of document, with indication, where appropriate, of the relevant passages	Relevant to claim No.
X --- Y	US 2005/0090843 A1 (BOLDUC) 28 April 2005 (28.04.2005) Fig 15, 17C, 20; para 0005, 0006, 0046, 0067, 0070.	1-7, 9 ----- 8
X --- Y	US 6,719,768 B1 (COLE et al.) 13 April 2004 (13.04.2004) Fig 9, 9A; col 9, ln 48-64.	22, 23 ----- 8
A	US 6,673,104 B2 (BARRY) 6 January 2004 (06.01.2004).	1-23
A	LU et al. "The Effect of Magnetic Stent on Coronary Restenosis After Percutaneous Transluminal Coronary Angioplasty" Chinese Medical Journal, Aug 2001, 114, (8), p. 821-3.	1-23

Further documents are listed in the continuation of Box C.

* Special categories of cited documents:	"T" later document published after the international filing date or priority date and not in conflict with the application but cited to understand the principle or theory underlying the invention
"A" document defining the general state of the art which is not considered to be of particular relevance	"X" document of particular relevance; the claimed invention cannot be considered novel or cannot be considered to involve an inventive step when the document is taken alone
"E" earlier application or patent but published on or after the international filing date	"Y" document of particular relevance; the claimed invention cannot be considered to involve an inventive step when the document is combined with one or more other such documents, such combination being obvious to a person skilled in the art
"L" document which may throw doubts on priority claim(s) or which is cited to establish the publication date of another citation or other special reason (as specified)	"&" document member of the same patent family
"O" document referring to an oral disclosure, use, exhibition or other means	
"P" document published prior to the international filing date but later than the priority date claimed	

Date of the actual completion of the international search

05 January 2007 (05.01.2007)

Date of mailing of the international search report

03 APR 2007

Name and mailing address of the ISA/US
Mail Stop PCT, Attn: ISA/US, Commissioner for Patents
P.O. Box 1450, Alexandria, Virginia 22313-1450
Facsimile No. 571-273-3201

Authorized officer:
Lee W. Young

PCT Helpdesk: 571-272-4300
PCT OSP: 571-272-7774