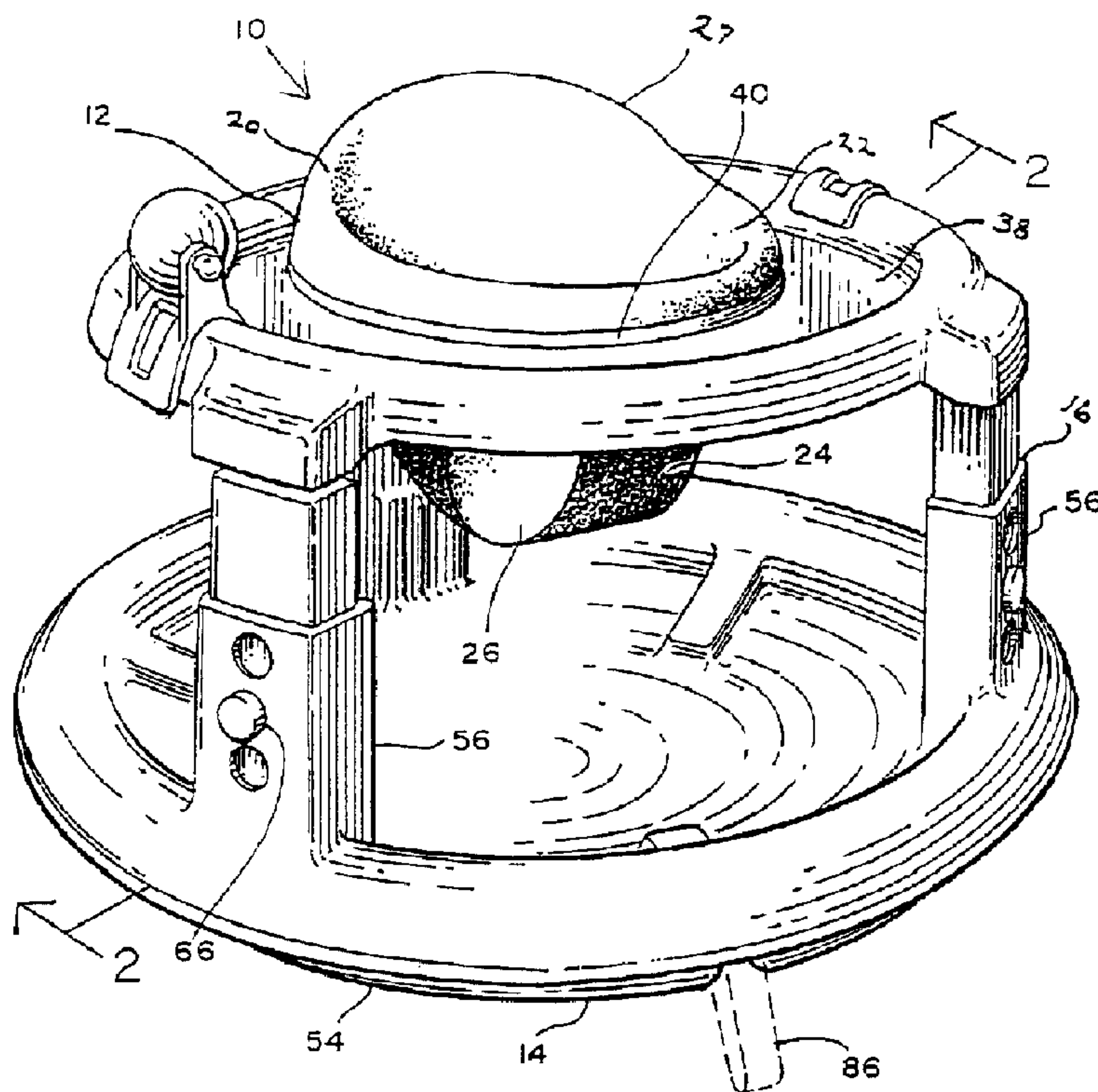




(22) Date de dépôt/Filing Date: 1994/02/18
 (41) Mise à la disp. pub./Open to Public Insp.: 1995/04/02
 (45) Date de délivrance/Issue Date: 2005/02/15
 (62) Demande originale/Original Application: 2 115 971
 (30) Priorité/Priority: 1993/10/01 (130,206) US

(51) Cl.Int.⁷/Int.Cl.⁷ A47D 13/10
 (72) Inventeurs/Inventors:
 MEEKER, PAUL K., US;
 GIBSON, WILLIAM R., US;
 RIEDL, JOHN C., US
 (73) Propriétaire/Owner:
 EVENFLO COMPANY, INC., US
 (74) Agent: GOWLING LAFLEUR HENDERSON LLP

(54) Titre : SIEGE BERCEUR-EXERCISEUR POUR BEBES
 (54) Title: CHILD EXERCISER/ROCKER



(57) Abrégé/Abstract:

A seat for receipt of a child capable of providing exercise and entertainment comprising a seat having a rigid upper support and a lower support therebeneath and a circular bearing surface therebetween, the lower support having leg openings for passage of the legs of a child supported therein. An upper supporting tray has a radially interior opening in a circular configuration for receiving and supporting the seat, the upper supporting tray having a radially exterior periphery with projections extending downwardly therefrom. A bowl-shaped base is provided, the upper periphery of the base having spaced upstanding towers with openings depending from the upper ends thereof. Upstanding posts are also provided, each post having a lower end received within the upper end of a tower, each post having an upper end with a recess for receiving a downwardly depending projection.

ABSTRACT OF THE DISCLOSURE

A seat for receipt of a child capable of providing exercise and entertainment comprising a seat having a rigid upper support and a lower support therebeneath and a circular bearing surface therebetween, the lower support having leg openings for passage of the legs of a child supported therein. An upper supporting tray has a radially interior opening in a circular configuration for receiving and supporting the seat, the upper supporting tray having a radially exterior periphery with projections extending downwardly therefrom. A bowl-shaped base is provided, the upper periphery of the base having spaced upstanding towers with openings depending from the upper ends thereof. Upstanding posts are also provided, each post having a lower end received within the upper end of a tower, each post having an upper end with a recess for receiving a downwardly depending projection.

CHILD EXERCISER/ROCKERBACKGROUND OF THE INVENTIONField of the Invention

This invention relates to a child exerciser/rocker and, more particularly, to a device for exercising and entertaining a child having a seat for supporting a child with an associated tray and a bowl-shaped base to facilitate rocking, engagable feet to preclude rocking, spring couplings between the seat and the base to facilitate bouncing with height adjustment components between the base and seat and with bearing surfaces between the seat and tray to facilitate 360 degree rotation with locking components therebetween to preclude rotation when so desired.

Description of the Background Art

There are a wide variety of devices in the marketplace today in which children may be placed for exercise. Similarly, there are a wide variety of devices in the marketplace today in which children may be placed for entertainment. In a limited number of cases, devices for entertainment may provide exercise and, conversely, devices for exercise may provide entertainment. In all such instances, however, care must be taken in the design and use of such devices to insure the maximum safety of the child as well as the peace of mind of the mother.

Typical devices attempting to meet such needs are disclosed in the patent literature. Consider, for example, U.S. Patent Number 4,025,107 to Chippa; U.S. Patent Number 4,084,273 to Haynes; U.S. Patent Number 4,141,588 to Anderson; U.S. Patent

Number Des. 295,397 to Brownlie et al; U.S. Design Patent 315,644 to White; and U.S. Patent 5,178,438 to Beger.

Despite the large number of efforts to meet the needs of child and mother for exercise and entertainment of young ones, along with maximum safety, no prior art device has the capability of the present invention which provides for a combination of bouncing, rotating, and rocking, all for a maximum safety of the child in mind.

Accordingly, it is an object of the present invention to provide a seat for receipt of a child capable of providing exercise and entertainment comprising a seat having a rigid upper support and a lower support therebeneath and a circular bearing surface therebetween, the lower support having leg openings for passage of the legs of a child supported therein. An upper supporting tray has a radially interior opening in a circular configuration for receiving and supporting the seat, the upper supporting tray having a radially exterior periphery with projections extending downwardly therefrom. A bowl-shaped base is provided, the upper periphery of the base having spaced upstanding towers with openings at the upper ends thereof. Upstanding posts are also provided, each post having a lower end received within the upper end of a tower, each post having an upper end with a recess for receiving a downwardly depending projection.

A further object of the present invention is to exercise a child while the child is entertaining itself.

It is a further object of the present invention to insure a child's safety while the child is exercising and entertaining through a combination of bouncing, rocking and rotating.

These objects should be construed to be merely illustrative of some of the more prominent features and applications of the intended invention. Many other beneficial results can be obtained by applying the disclosed invention in a different manner or by modifying the invention within the scope of the disclosure. Accordingly, other objects and a more comprehensive understanding of the invention may be obtained by referring to the summary of the invention, and the detailed description of the preferred embodiment in addition to the scope of the invention defined by the claims taken in conjunction with the accompanying drawings.

SUMMARY OF THE INVENTION

The invention is defined by the appended claims with the specific embodiment shown in the attached drawings. For the purposes of summarizing the invention, the invention may be incorporated into a seat for receipt of a child capable of providing exercise and entertainment for a child supported therein comprising, in combination, a seat having a rigid upper support and a lower support therebeneath and a circular bearing surface therebetween, the lower support having leg openings for passage of the legs of a child supported therein. An upper

supporting tray in a circular configuration has a radially interior opening for receiving and rotatably supporting the seat at the circular bearing surface, the upper supporting tray having a radially exterior periphery in a circular configuration with three equally spaced projections extending downwardly therefrom. A bowl-shaped base adapted to rock in any direction is also provided, the upper periphery of the base having three equally spaced upstanding towers in parallel relationship with vertical openings at the upper ends of the towers, each tower having vertically spaced height adjustment holes formed therein. Three vertically extending posts are provided, each post having a lower end received within the upper end of a tower with a spring based operator controlled button positionable through a hole in the tower for varying the height of the post with respect to the tower, each post having an upper end with a recess for receiving a downwardly depending projection to preclude rotation therebetween, and a spring between each post and tower to allow bouncing of a child in the seat with respect to the base. A lock couples the seat and the tray movable between a locking orientation to preclude rotation therebetween and an unlocking orientation to allow rotation therebetween. Three feet depend from the lower surface of the base from equally spaced peripheral locations and movable between a recessed orientation to allow rocking and an extended orientation to preclude rocking.

The foregoing has outlined rather broadly, the more pertinent and important features of the present invention. The detailed description of the invention that follows is offered so that the present contribution to the art may be more fully appreciated. Additional features of the invention will be described hereinafter. These form the subject of the claims of the invention. It should be appreciated by those skilled in the art that the conception and the disclosed specific embodiment may be readily utilized as a basis for modifying or designing other structures for carrying out the same purposes of the present invention. It should also be realized by those skilled in the art that such equivalent structures do not depart from the spirit and scope of the invention as set forth in the appended claims.

BRIEF DESCRIPTION OF THE DRAWINGS

For a more succinct understanding of the nature and objects of the invention, reference should be directed to the following description taken in conjunction with the accompanying drawings in which:

Figure 1 is an enlarged perspective illustration of the lower portion of the child exerciser/rocker of the prior Figures.

Figure 2 is a sectional view of the child exerciser/rocker taken along line 2-2 of Figure 1.

Figure 3 is an exploded perspective view of the coupling mechanisms between the tray and base.

Figure 4 is an enlarged sectional view of the area of coupling between the seat and the tray.

Figure 5 is an enlarged showing of the locking mechanisms between the seat and the tray.

Figures 6 and 7 are perspective illustrations of toys adapted to be coupled to the tray.

Similar reference numerals refer to similar parts throughout the several Figures.

DETAILED DESCRIPTION OF THE PREFERRED EMBODIMENT OF THE INVENTION

Shown in the Figures, with particular reference to Figure 1, there is shown a child exerciser/rocker 10 constructed in accordance with the principles of the present invention. From an overview standpoint, the child exerciser/rocker includes three major assemblies, a seat assembly 12, a base assembly 14, and a coupling assembly 16 therebetween.

With regard to the seat assembly 12, a seat 20 is provided for receipt of a child who is to receive the exercise and the entertainment while supported therein. The seat 20 comprises a rigid upper support 22 and a soft flexible lower support 24 therebeneath. Leg openings 26 are formed in the forward portion of the lower support for passage of the legs of a child supported therein.

The rigid upper support 22 is covered with a soft cushion 27. The cushion 27 is removably secured in position by elastic loops 29 permanently secured at their upper ends to the cushion and removably secured at their lower ends to a bearing retainer 31. Note Figure 4.

Between the upper and lower supports 22 and 24 of the seat are spherical ball bearing members 30. Such ball bearing members are adapted to cooperate with an associated downwardly facing bearing surface 32 coupled to the seat. The bearing surface is also adapted to cooperate with an associated upwardly facing bearing surface 34. The bearing surface 32 is coupled to the tray components. This arrangement allows for circular rotation of the seat through 360 degrees with respect to the tray and base components therebeneath.

Extending radially outwardly from the circular bearing surface is a lower supporting structure in the form of a tray 38. Such tray has a radially interior opening 40 in a circular configuration sized and shaped for receiving and rotatably supporting the seat 20. Such support is at a location between

the upper and lower supporting structures 22 and 24 of the seat. The lower supporting structure or tray also has a radially exterior periphery 42 formed as an upwardly extending flange in a circular configuration. Depending downwardly from adjacent to the exterior periphery of the tray are three conical projections 44. The conical projections assist in the locating and coupling of the seat tray, and upper supporting structures with respect to the components therebeneath. Associated lag bolts 45 and threaded apertures 47 in the tray loosely couple the tray 38 with the posts 62 and as such also function to couple the tray with respect to the posts 62 and base.

A bowl-shaped base 54 at the bottom of the device is also provided. Such base is spherical in configuration at its lower extent and is adapted to rock in any direction. It is also adapted to rock the components supported thereabove. The upper periphery of the base is formed with three vertically extending and equally spaced upstanding towers 56. The towers extend in parallel relationship with respect to each other. Their upper ends are formed with openings 58 extending downwardly from their upper ends.

Three vertically extending posts 62 are also provided. Each post has a lower end received within a recess 58 of an upper end of a tower 56. An operator-controlled button 66 extends through each post and tower and is urged outwardly by a spring 68. This arrangement functions to fix the height of the post and seat with respect to the towers 56 and base 54. The buttons 66 may be

depressed by a user to raise or lower the posts 62. In this manner a user may vary the height of the post and seat 20 with respect to the towers 56 and base 54.

Each post also has an upper end with a recess 72 for receiving a downwardly depending cone shaped projection 44 extending downwardly from the exterior periphery of the support structure. Such projections and recesses function in association with lag bolts 45 to locate the seat and tray with respect to the towers and base and to preclude rotation between the tray and base.

The lower retainer has outwardly facing teeth 80 which may be engaged by a slide 82 on the bottom of the tray 28. The slide is movable by the user between an operative position out of contact with the teeth 80 to allow rotation of the seat and an inoperative position to engage the teeth to preclude rotation of the seat when so desired.

A spring 76 is operatively positioned between each post 62 and projection 44 of the support structure. Such springs 76 allow for bouncing of a child in the seat 20 with respect to the towers 56 and base 54. As such, a child in the seat 20 may rotate and/or bounce and/or rock by the shifting of his or her weight and the movement of his or her feet on the upper surface of the base 54.

Lastly, three feet 86 are provided on the lower surface of the base. Each foot is pivotally secured by a hinge pin 88 in recesses 90 in the base. The feet are urged by springs 92 to the

position in which they are set and to retain such set position. The feet are movable about their hinge pins 88 by a user between a recessed orientation within the recesses 90 to allow rocking and an extended orientation exterior of the recesses 90 to preclude rocking.

Optionally provided with the above described device are one or more toys removably coupled with respect to the flange of the tray. By way of example, toy 102 has a clip positionable over the flange with upstanding side walls supporting a ball 104 located on a pivot pin. Note Figure 6. Figure 7 is a clip 106 adapted to support a toy of any other type.

The present disclosure includes that contained in the appended claims as well as that of the foregoing description. Although this invention has been described in its preferred form with a certain degree of particularity, it should be understood that the present disclosure of the preferred form has been made only by way of example and that numerous changes in the details of construction and combination and arrangement of parts may be resorted to without departing from the spirit and scope of the invention.

Now that the invention has been described,

THE EMBODIMENTS OF THE INVENTION IN WHICH AN EXCLUSIVE
PROPERTY OR PRIVILEGE IS CLAIMED ARE DEFINED AS FOLLOWS:

1. An apparatus for receipt of a child capable of providing exercise and
5 entertainment comprising:
a seat having a rigid upper support and a lower support therebeneath, the lower
support having leg openings for passage of the legs of a child supported therein;
an upper supporting tray in an encompassing configuration having a radially
interior opening for receiving and rotatably supporting the seat;
10 a bowl-shaped base adapted to rock in any direction;
three upstanding post assemblies, each post assembly extending between the
upper supporting tray and the base for holding the tray above the base, each post
assembly including an operator controlled button selectively alignable with vertically
spaced adjustment openings in the base for insertion therein to provide adjustment of
15 a height of an upper end of the post assembly relative to the base, each post assembly
including a spring member positioned therealong to allow vertical, bouncing
movement of the upper supporting tray and the seat relative to the base; and
three feet depending from a lower surface of the base from spaced peripheral
locations and movable between a recessed orientation to allow rocking and an
20 extended orientation to preclude rocking.
2. An apparatus for receipt of a child capable of providing exercise and
entertainment for a child supported therein comprising, in combination:
a seat having an upper support and a lower support therebeneath, the lower
25 support having leg openings for passage of the legs of a child supported therein;
an upper supporting tray having a radially interior opening for receiving and
rotatably supporting the seat enabling a child within the seat to rotate relative to the
supporting tray;
a bowl-shaped base adapted for permitting a rocking motion thereof, the base
30 including a plurality of spaced upstanding towers extending therefrom;
a plurality of upstanding post assemblies, each post assembly extending
between the upper supporting tray and a respective upstanding tower of the base, each
post assembly including at least one operator controlled button selectively alignable
with a plurality of vertically spaced adjustment openings in the base for insertion

therein, depression of the button providing adjustment of a vertical height of the post assembly enabling a height of the upper supporting tray relative to the base to be varied, each post assembly including a spring member positioned therealong to allow vertical, bouncing movement of the upper supporting tray and the seat relative to the base.

3. The apparatus of claim 2, further comprising: a plurality of feet positioned on the base at spaced peripheral locations and movable between a recessed orientation to allow rocking of the base and an extended orientation to preclude rocking of the base.

4. An apparatus for receipt of a child capable of providing exercise and entertainment comprising:

a seat having a rigid upper support and a lower support therebeneath, the lower support having leg openings for passage of the legs of a child supported therein;

an upper supporting tray in an encompassing configuration having an opening for receiving and rotatably supporting the seat;

a bowl-shaped base adapted to rock in any direction;

a plurality of upstanding post assemblies, each post assembly extending between the upper supporting tray and the base for holding the tray above the base, each post assembly including a spring member positioned therealong to allow vertical, bouncing movement of the upper supporting tray and the seat relative to the base; and

operator controlled height adjustment mechanisms associated with each post assembly to vary the height of the upper end of each post assembly with respect to the base.

5. The apparatus of claim 4, further comprising: three feet depending from the base from spaced locations and movable between an orientation to allow rocking and an extended orientation to preclude rocking.

6. An apparatus for receipt of a child capable of providing exercise and entertainment for a child supported therein comprising, in combination:

a seat having an upper support and a lower support therebeneath, the lower support having leg openings for passage of the legs of a child supported therein;

an upper supporting tray having an opening for receiving and rotatably supporting the seat enabling a child within the seat to rotate relative to the supporting tray;

a base adapted for permitting a rocking motion thereof;

5 a plurality of upstanding post assemblies, each post assembly extending between the supporting tray and the base, each post assembly including at least one operator controlled height adjustment mechanism for varying a height of the supporting tray relative to the base, each post assembly including biasing means positioned therealong enabling vertical, bouncing movement of the upper supporting
10 tray and the seat relative to the base; and

a plurality of feet positioned on the base at spaced locations and movable between an orientation to allow rocking of the base and an extended orientation to preclude rocking of the base.

15 7. An apparatus for receipt of a child capable of providing exercise and entertainment for a child supported therein comprising, in combination:

a seat having an upper support and a lower support therebeneath, the lower support having leg openings for passage of the legs of a child supported therein:

an upper supporting tray having an opening for receiving and rotatably
20 supporting the seat enabling a child within the seat to rotate relative to the supporting tray;

a base adapted for permitting a rocking motion thereof, the base including a plurality of spaced upstanding towers extending therefrom;

a plurality of upstanding post assemblies, each post assembly extending
25 between the supporting tray and a respective upstanding tower of the base, each post assembly including biasing means positioned therealong enabling vertical, bouncing movement of the upper supporting tray and the seat relative to the base;

operator controlled height adjustment mechanisms associated with each post assembly to vary the height of the upper end of each post assembly with respect to the
30 towers; and

a plurality of feet positioned on the base at spaced locations and movable between a recessed orientation to allow rocking of the base and an extended orientation to preclude rocking of the base.

8. An exercise and entertainment apparatus for receipt of a child, comprising, in combination:

a seat having an upper support and a lower support therebeneath, the lower support having leg openings for passage of the legs of a child supported therein;

5 an upper supporting tray in an enclosing configuration having an interior opening for receiving and rotatably supporting the seat, the upper supporting tray having a plurality of spaced projections extending downwardly therefrom;

10 a bowl-shaped base adapted to rock in any direction, an upper portion of the base having a plurality of upstanding towers extending therefrom and spaced for alignment with the projections of the upper supporting tray, an opening being formed at an upper end of each of the towers;

a plurality of post assemblies extending between the base and the upper supporting tray, each post assembly having a lower end received within the upper end of one of the towers, each post assembly including at least one outwardly
 15 biased operator controlled button selectively positionable into and out of a plurality of vertically spaced adjustment holes in each of the towers for adjusting a height of an upper end of the post assembly relative to the base, the upper end of each post assembly having an opening for receiving one of the downwardly depending
 20 projections of the upper supporting tray to preclude relative rotation between the upper supporting tray and the base, each post assembly including a spring member positioned therealong to allow vertical, bouncing movement of the upper supporting tray and the seat relative to the base; and

a plurality of feet positioned on the base at spaced locations and movable between an orientation to allow rocking of the base and an extended
 25 orientation to preclude rocking of the base.

9. An entertainment apparatus for receipt of a child, comprising:

a seat having an upper support and a lower support therebeneath, the lower support having leg openings for passage of the legs of a child supported therein;

30 an upper supporting tray in an encompassing configuration having an interior opening and rotatably supporting the seat, the upper supporting tray having a plurality of spaced projections extending downwardly therefrom;

a bowl-shaped base adapted to rock in any direction, an upper portion of the base having a plurality of spaced upstanding towers with openings at upper ends of the towers;

a plurality of upstanding post assemblies, each post assembly having a lower end received within the upper end of one of said towers, each post assembly having an upper end with a recess for receiving one of said downwardly depending projections, and a spring member positioned along each post assembly to allow
5 bouncing of a child in the seat with respect to the base; and

an operator controlled height adjustment mechanism associated with each post assembly to vary the height of the upper end of each post assembly with respect to the towers.

10 10. The apparatus of claim 9, further comprising:

a plurality of feet positioned on the base at spaced locations and movable between an orientation to allow rocking of the base and an extended orientation to preclude rocking of the base.

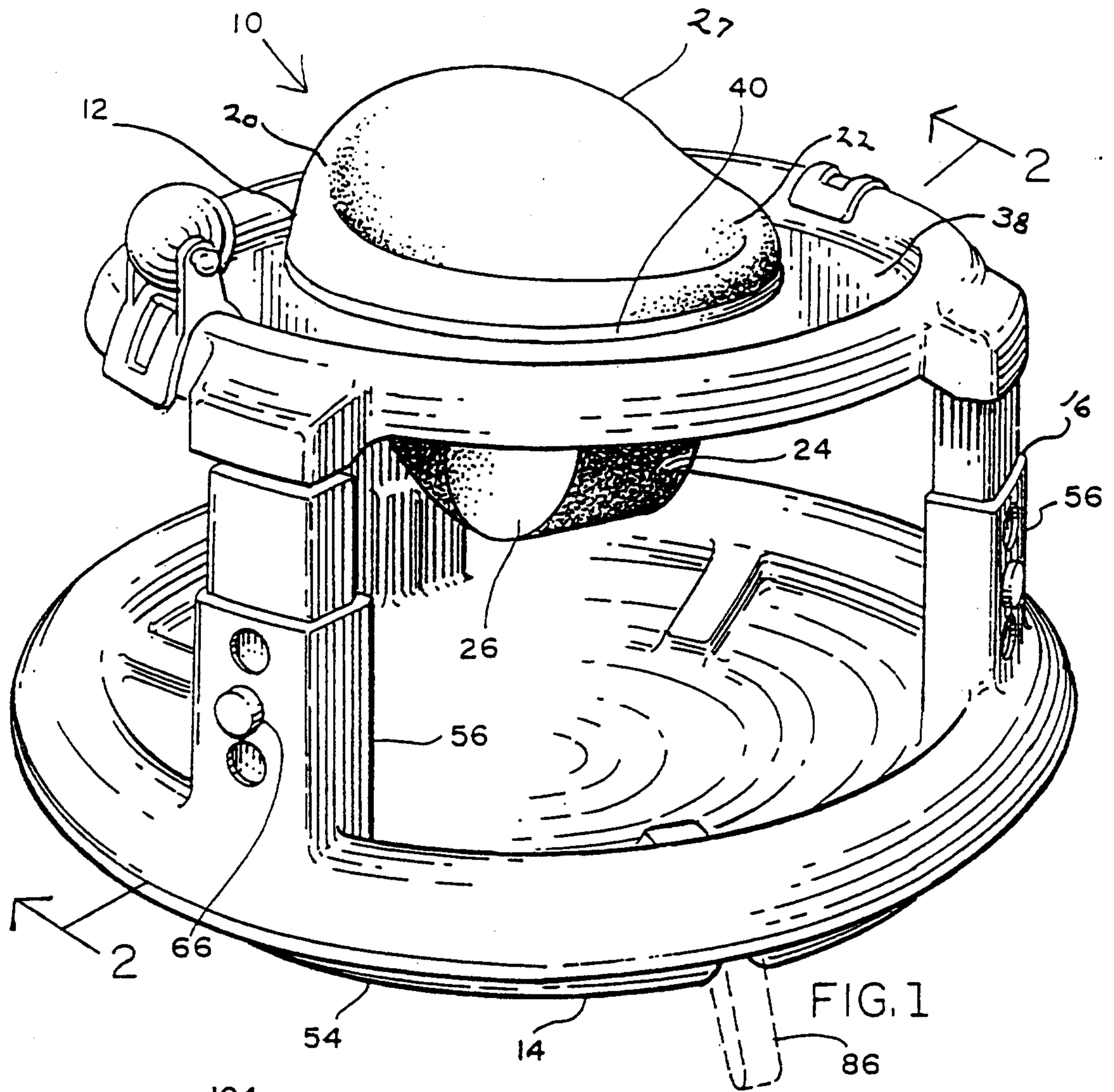


FIG. 1

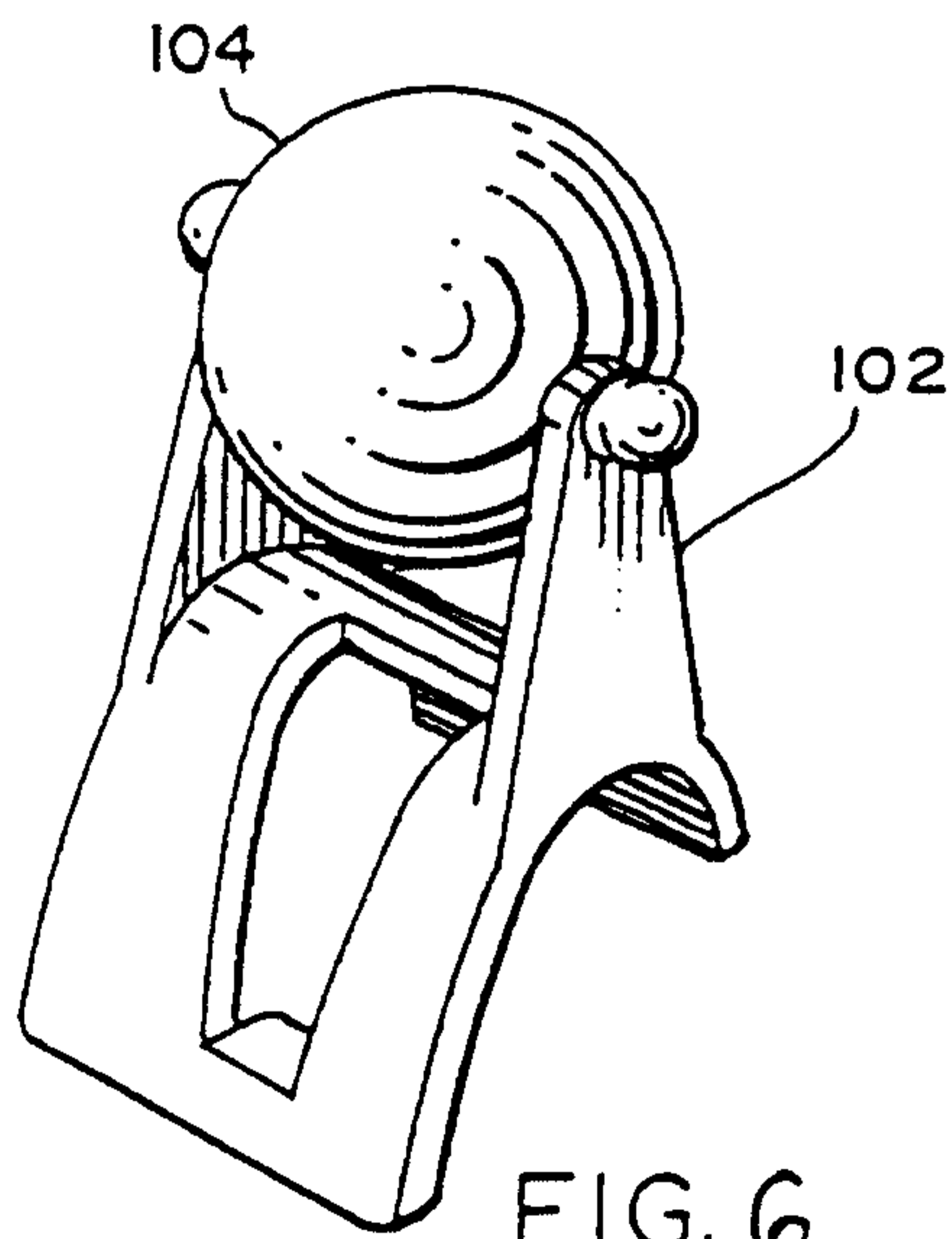


FIG. 6

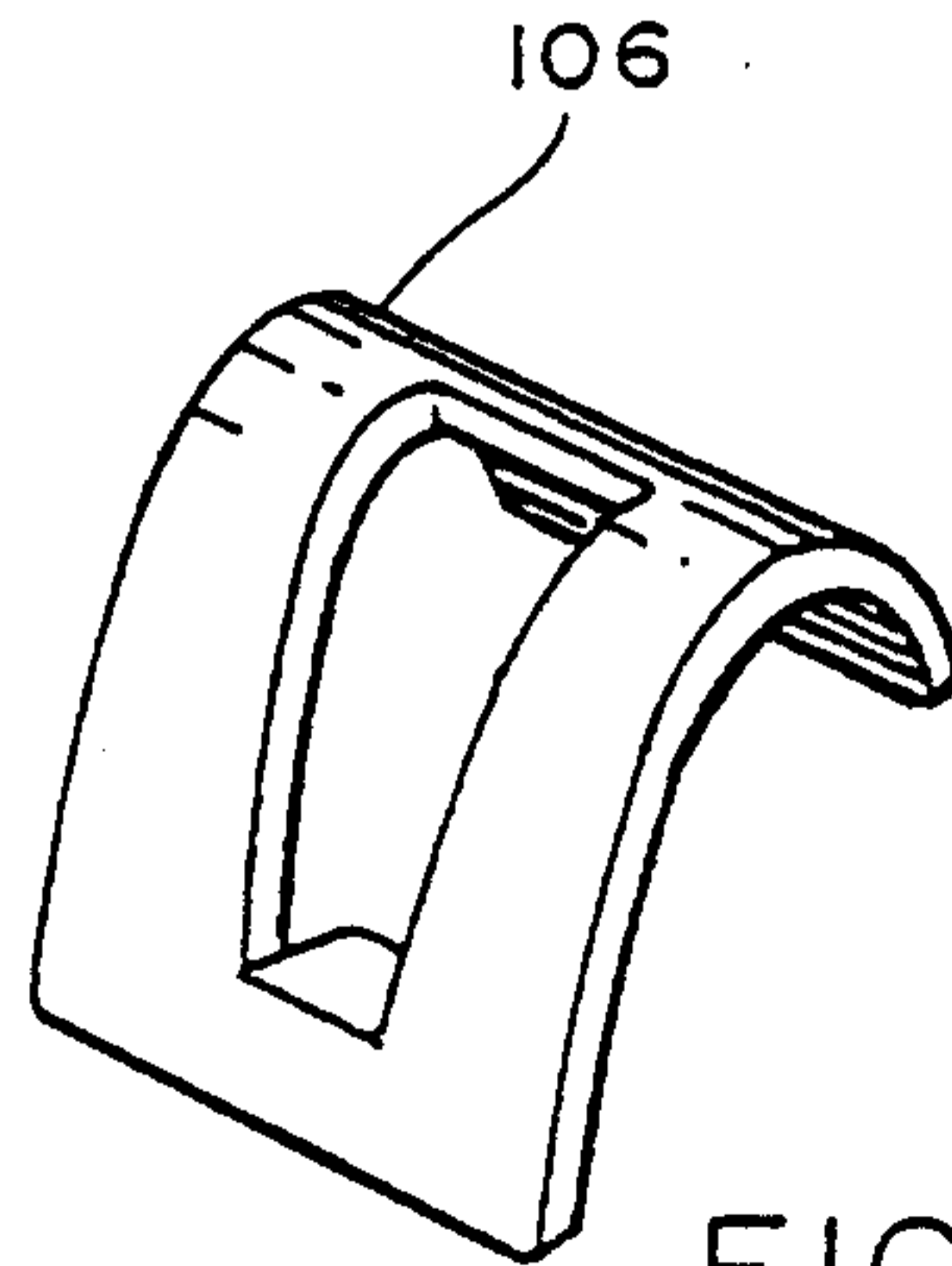


FIG. 7

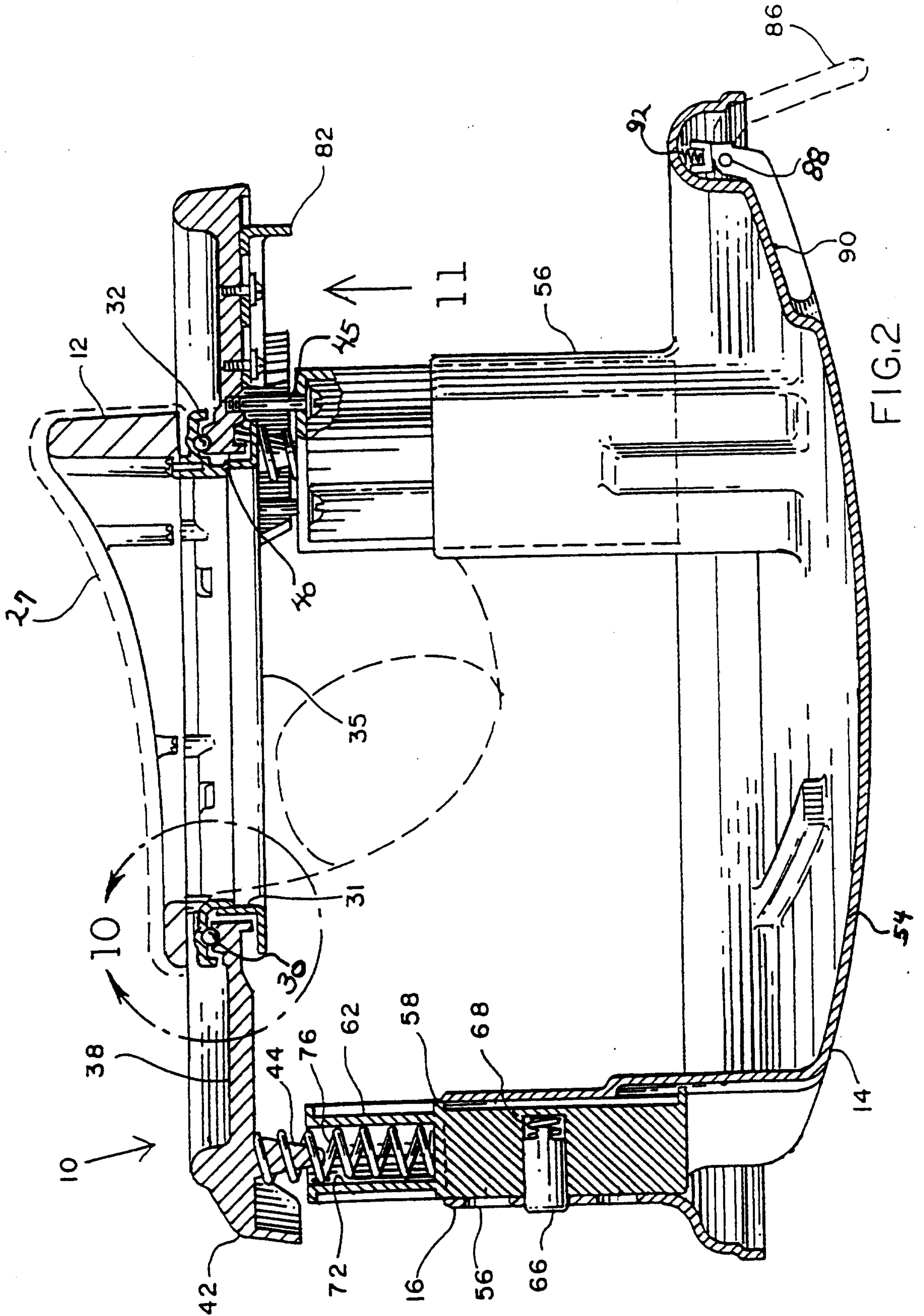


FIG. 2

Cowling, Strathy & Henderson

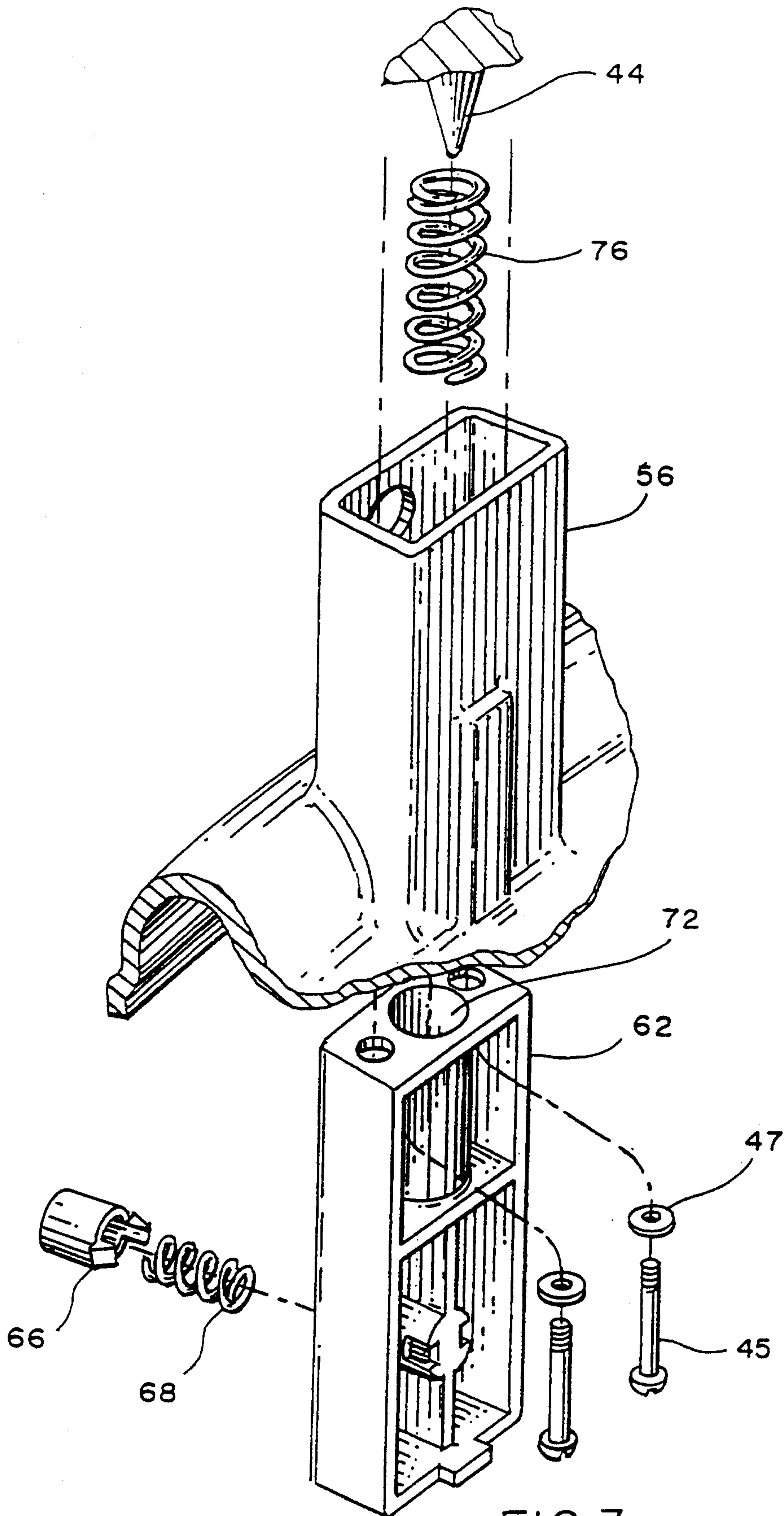


FIG. 3

