



US00D810286S

(12) **United States Design Patent**
Conatser et al.

(10) **Patent No.:** **US D810,286 S**
(45) **Date of Patent:** **** Feb. 13, 2018**

(54) **SUCTION CANISTER MOUNTING BRACKET**

(71) Applicant: **Gyrus ACMI, Inc.**, Southborough, MA (US)

(72) Inventors: **Thomas Lee Conatser**, Bells, TN (US); **Joseph Green**, Bartlett, TN (US)

(73) Assignee: **Gyrus ACMI, Inc.**, Southborough, MA (US)

(**) Term: **15 Years**

(21) Appl. No.: **29/562,687**

(22) Filed: **Apr. 28, 2016**

(51) **LOC (11) Cl.** **24-02**

(52) **U.S. Cl.**
USPC **D24/128**

(58) **Field of Classification Search**
USPC D24/127-131, 112-114, 133, 186;
606/181, 185; 604/264, 523-528, 272,
604/187, 158, 164.01-164.11, 181, 184,
604/227; 600/101, 139, 143;
128/200.24, 207.14, 207.15
CPC A61M 25/00; A61M 39/00; A61M 27/00;
A61M 25/0043; A61M 25/0067; A61M
25/0097; A61F 2/958
See application file for complete search history.

(56) **References Cited**

U.S. PATENT DOCUMENTS

D303,713 S * 9/1989 Kelm D24/117
D373,823 S * 9/1996 Baldwin D24/128
D456,898 S * 5/2002 Yang D24/122

D463,550 S * 9/2002 Sherman D24/115
D528,659 S * 9/2006 Cherfas D24/105
D622,377 S * 8/2010 Jackson D24/128
D627,063 S * 11/2010 West D24/128
D683,017 S * 5/2013 Primeau D24/112
D694,883 S * 12/2013 Zamierowski A61B 5/445
D24/133
D734,541 S * 7/2015 Petrucci D24/128
D746,474 S * 12/2015 Koros D24/128
D750,773 S * 3/2016 Eaton D24/128
D762,300 S * 7/2016 Breitweiser D24/128

* cited by examiner

Primary Examiner — David Muller

(74) *Attorney, Agent, or Firm* — Gerald P. Kazanjian; Yi Chen

(57) **CLAIM**

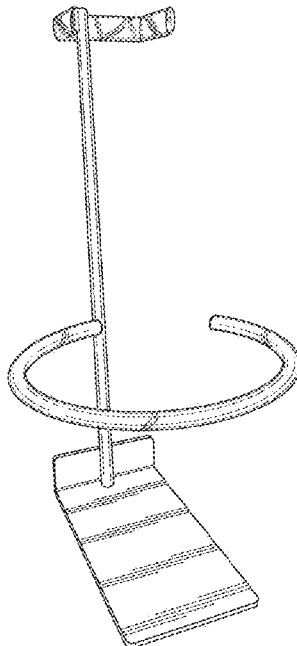
The ornamental design for a suction canister mounting bracket, substantially as shown and described.

DESCRIPTION

FIG. 1 is a front perspective view of the suction canister mounting bracket;
FIG. 2 is a front perspective view of the suction canister mounting bracket without the transparent coverage;
FIG. 3 is a front elevation view of FIG. 2;
FIG. 4 is a rear elevation view of FIG. 2;
FIG. 5 is a left side elevation view of FIG. 2;
FIG. 6 is a right side elevation view of FIG. 2;
FIG. 7 is a top plan view of FIG. 2; and
FIG. 8 is a bottom plan view of FIG. 2.

The broken line showing of parts of the drawings is included for the purpose of illustrating use and environment and forms no part of the claimed design.

1 Claim, 8 Drawing Sheets



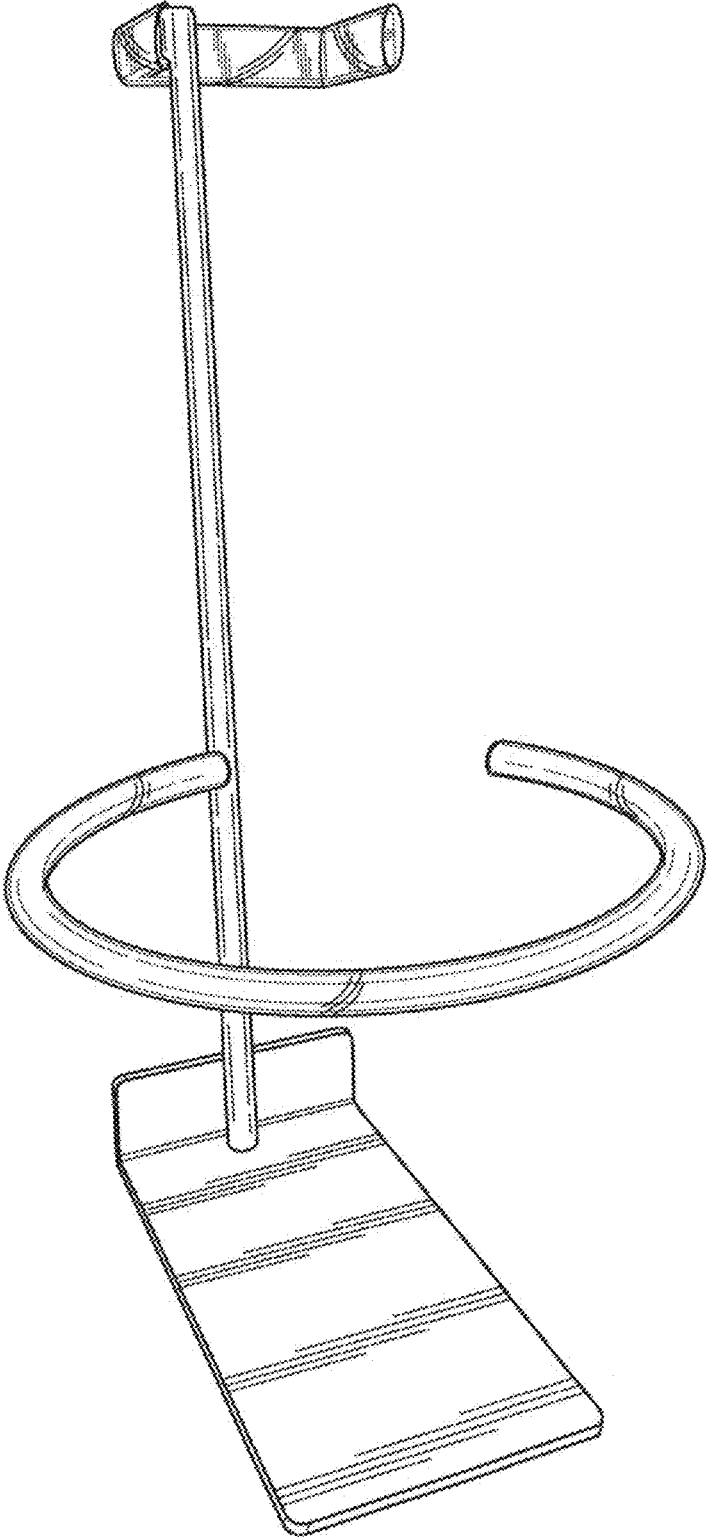


FIG. 1

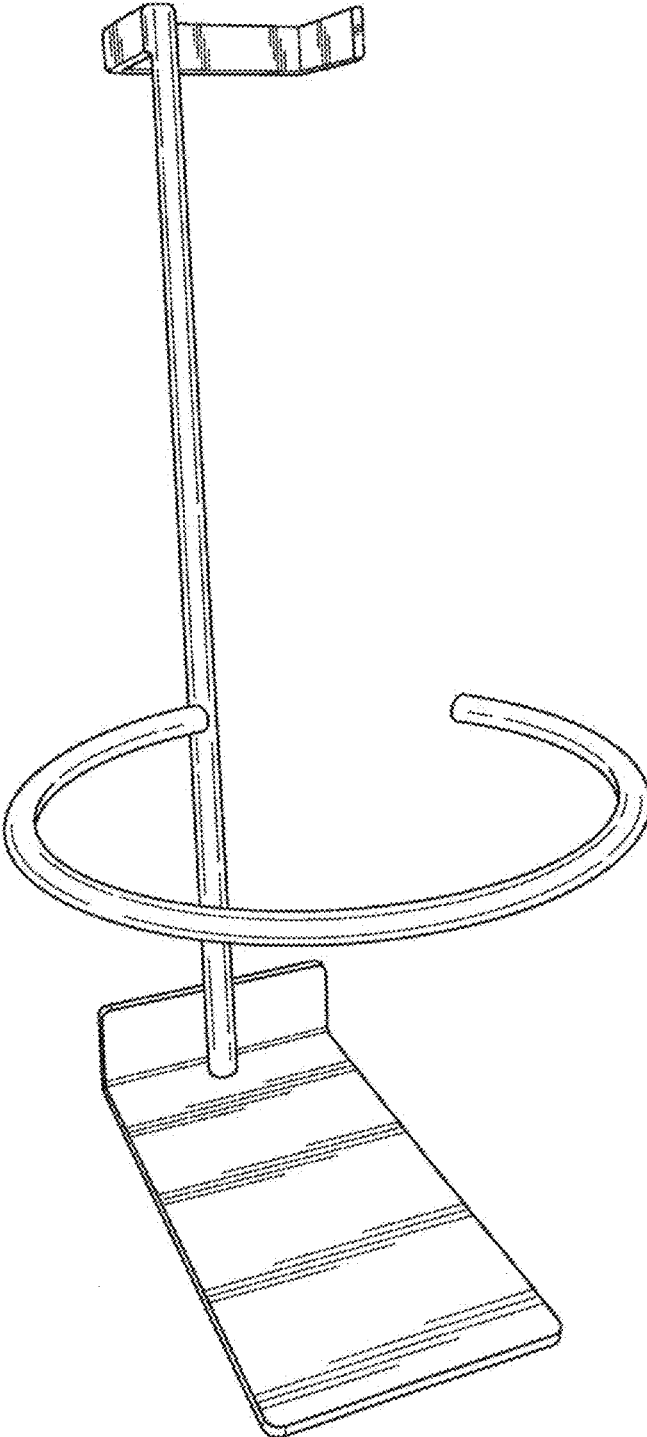


FIG. 2

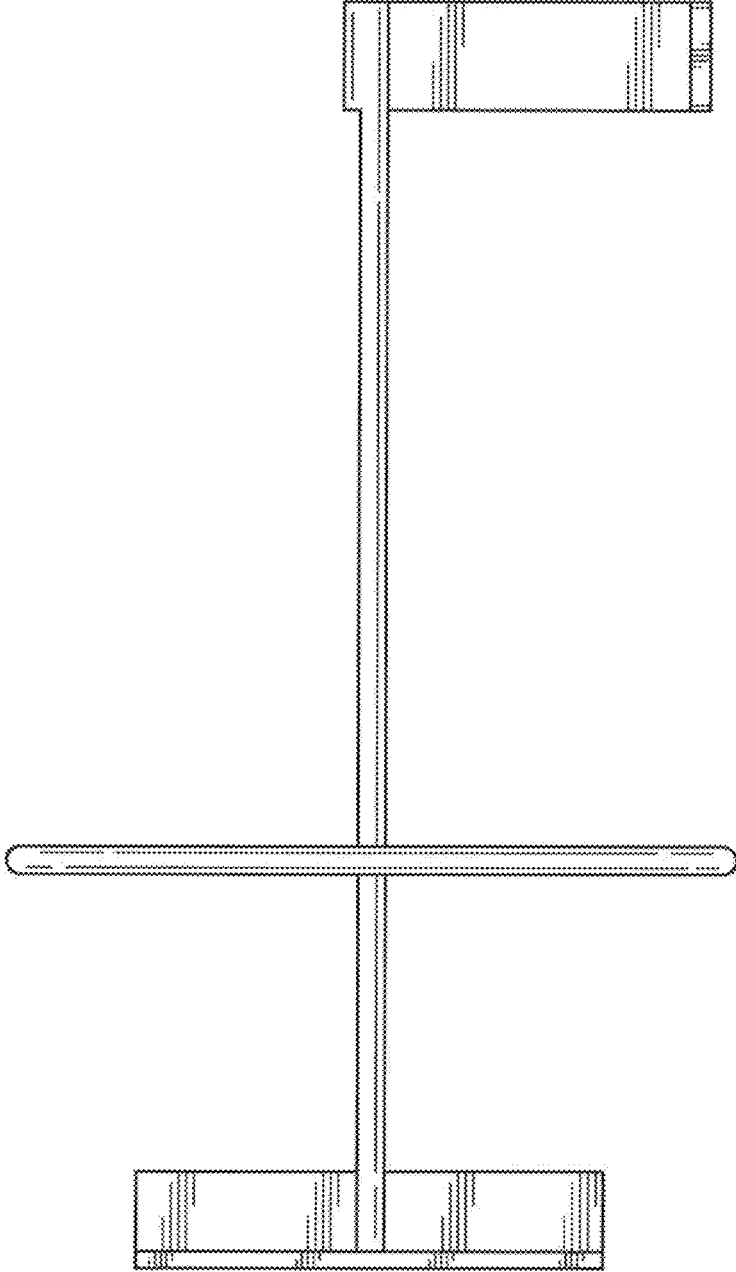


FIG. 3

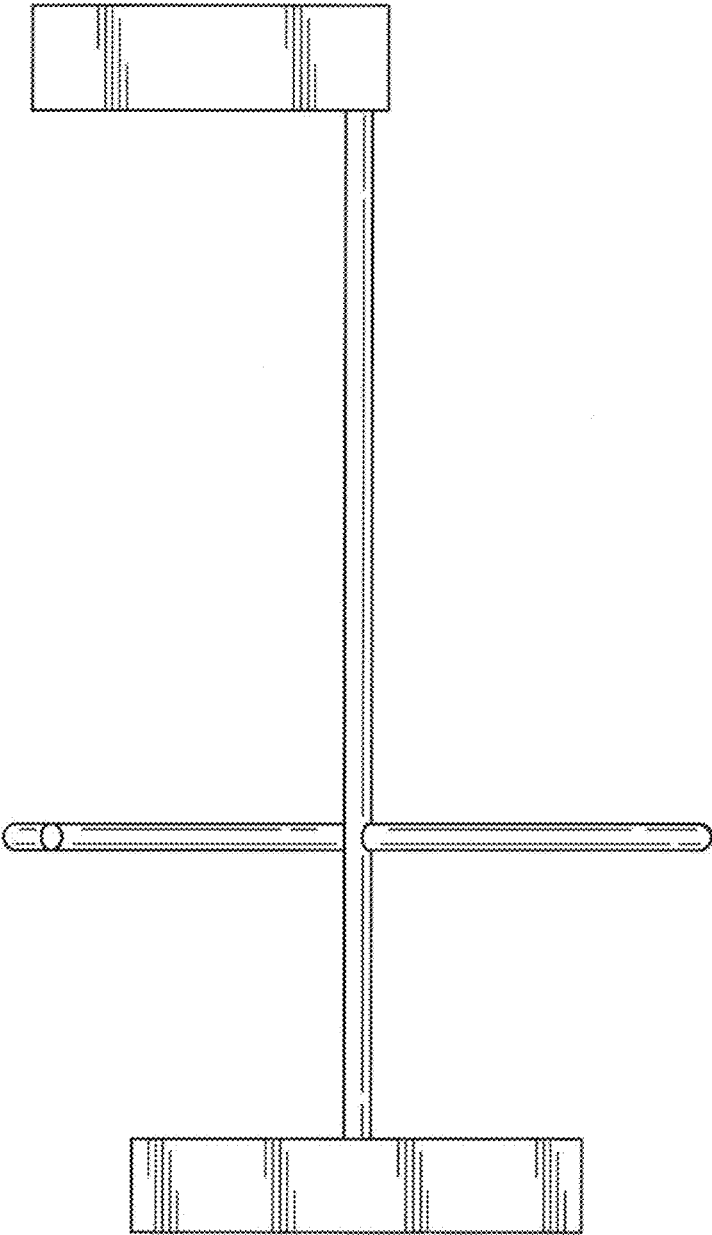


FIG. 4

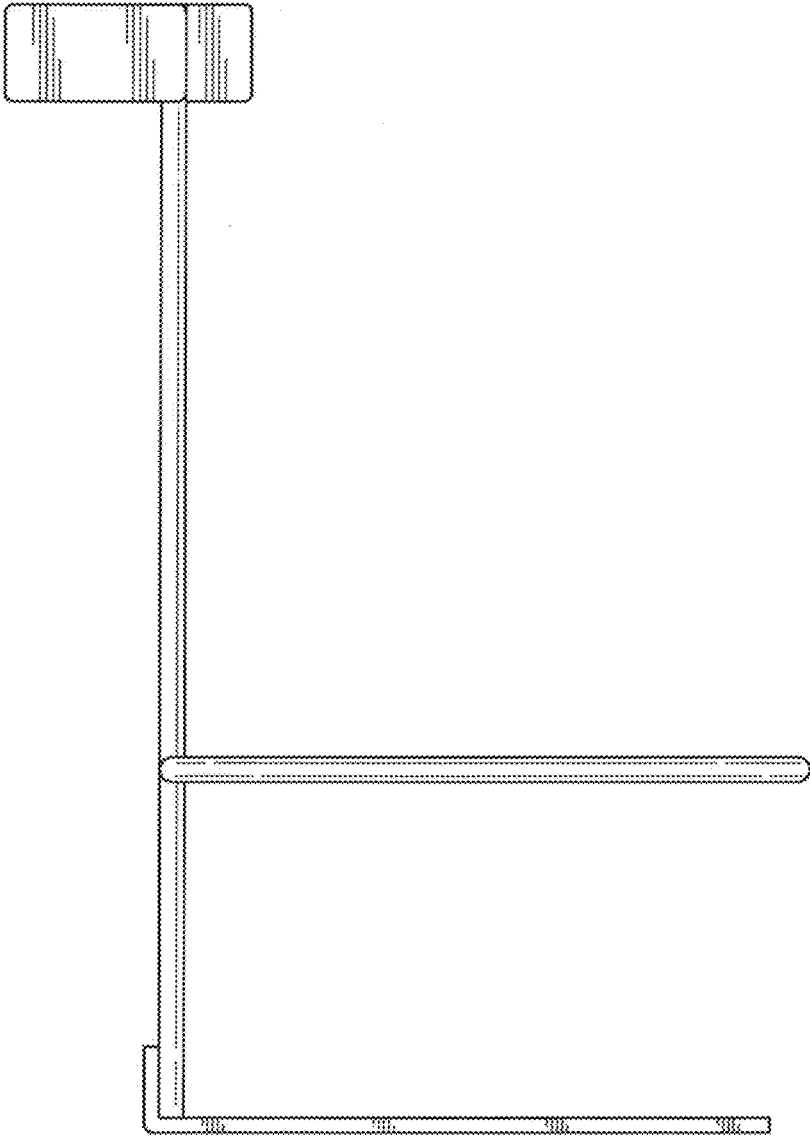


FIG. 5

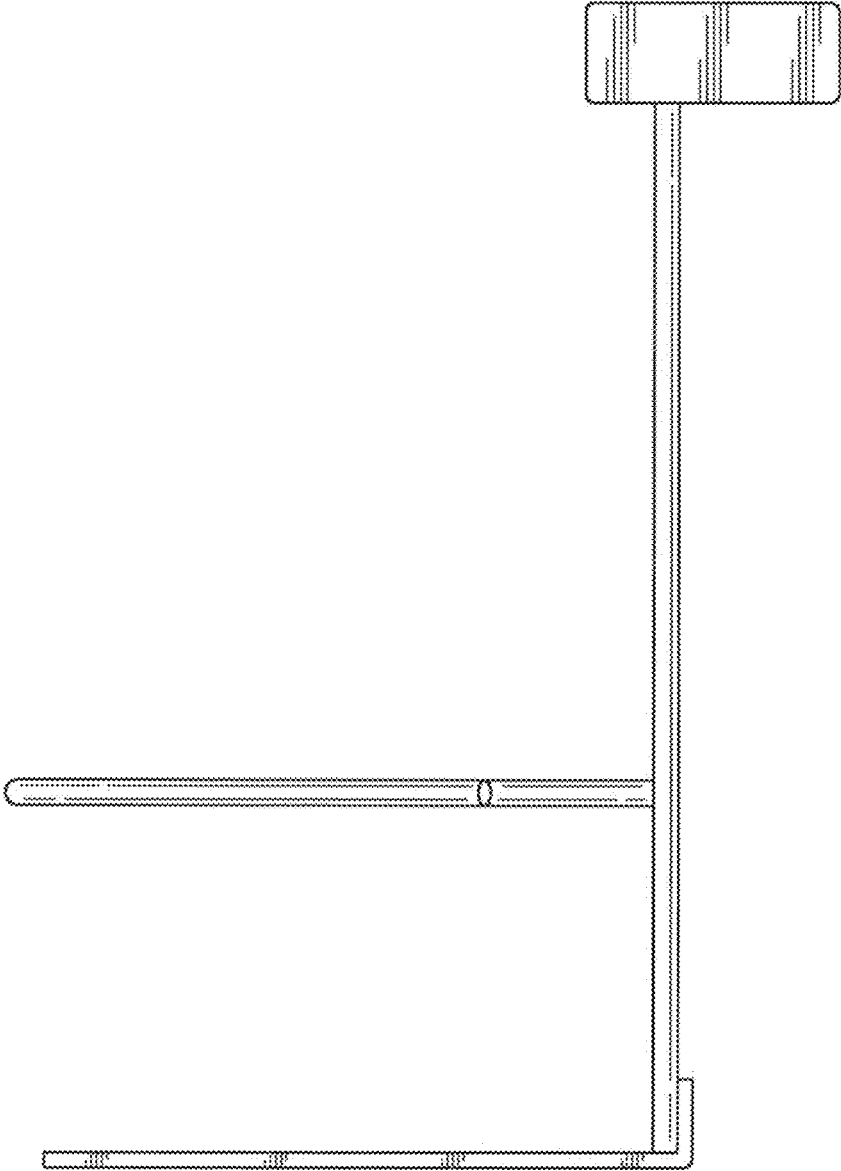


FIG. 6

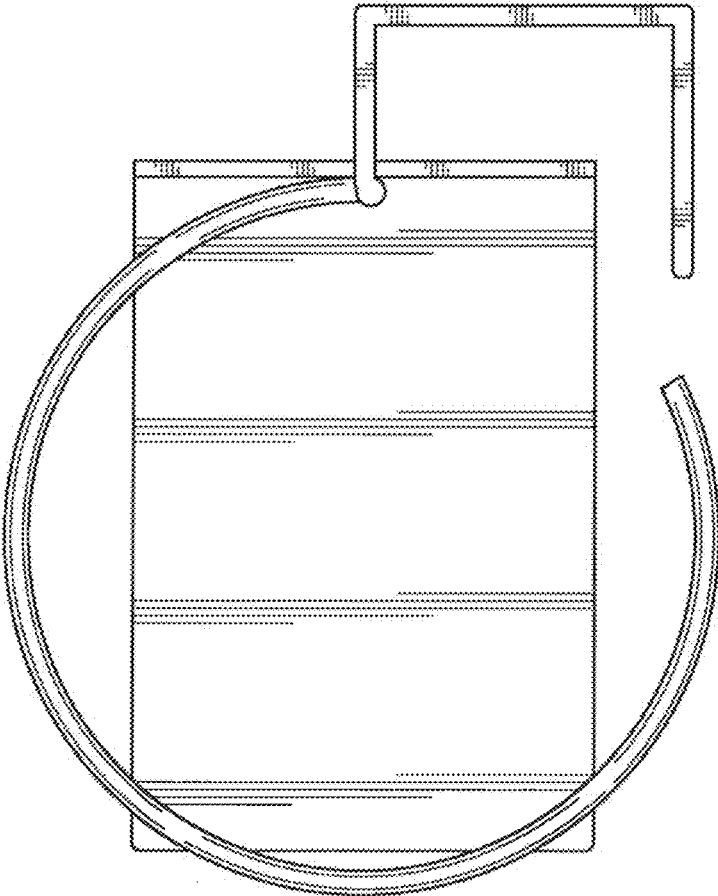


FIG. 7

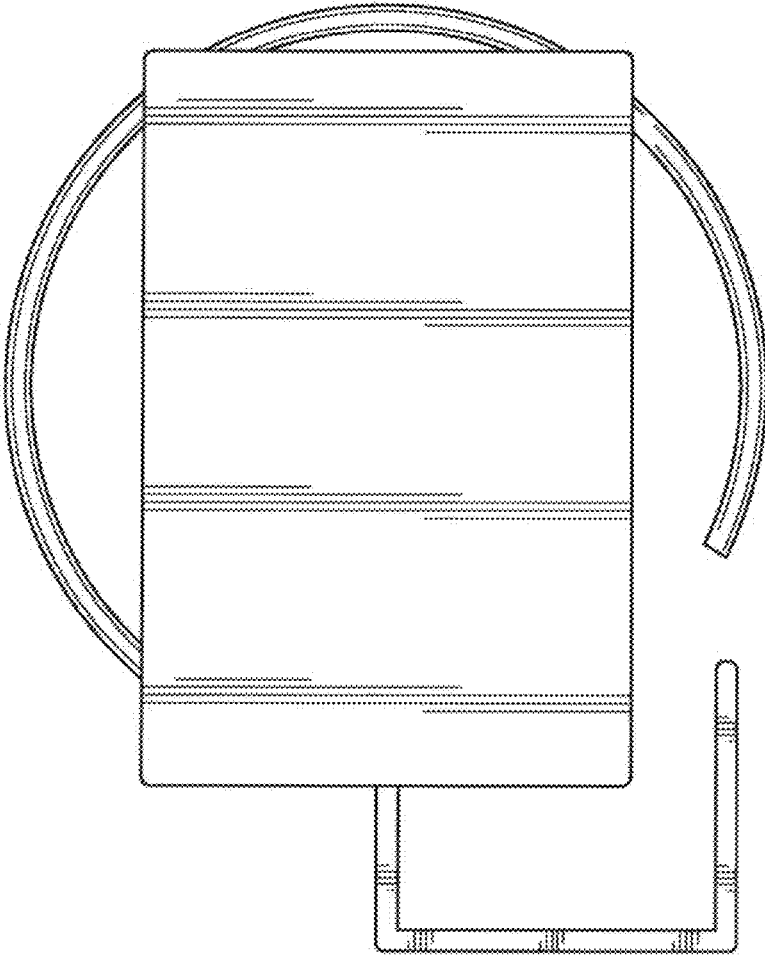


FIG. 8