

[54] CASING FOR A POWER LOCK

[76] Inventor: Loren A. Schultz, 1617 Kenmare Dr., Dresher, Pa. 19025

[**] Term: 14 Years

[21] Appl. No.: 359,176

[22] Filed: Mar. 17, 1982

[52] U.S. Cl. D8/330

[58] Field of Search D8/330-339; D10/106

[56] References Cited

U.S. PATENT DOCUMENTS

D. 190,148	4/1961	Renken	D10/106
D. 214,468	6/1969	Kahn	D10/106
D. 225,905	1/1973	Lincoln	D10/106
D. 236,719	9/1975	Sparks	D10/106
D. 239,706	4/1976	Barleen et al.	D10/106
D. 240,410	7/1976	Fujiwara	D10/106
D. 258,577	3/1981	Bottner	D10/106
D. 269,072	5/1983	Sweet et al.	D10/106
D. 269,256	6/1983	McMillan	D10/106
3,325,800	6/1967	Messick	D10/106

OTHER PUBLICATIONS

Mallory Distributor Products Co., Single Page Flyer, Adre Ultrasonic Solid State Alarm, Model No. CA1; Copy Electronics Box Collection.

Primary Examiner—Wallace R. Burke

Assistant Examiner—Horace B. Fay

[57] CLAIM

The ornamental design for a casing for a power lock, as shown and described.

DESCRIPTION

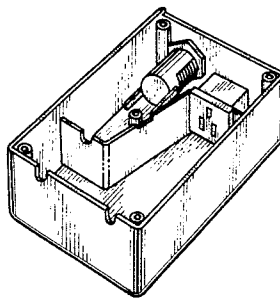
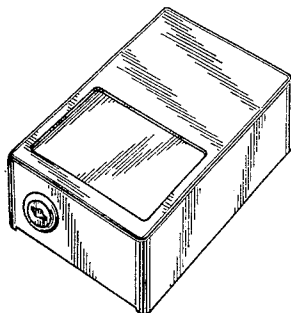
FIG. 1 is a perspective view from above and to the rear of one end and the interior of a casing for a power lock showing my new design;

FIG. 2 is an end elevational view thereof;

FIG. 3 is a plan view of the casing taken from a position opposite to that shown in FIG. 4;

FIG. 4 is a plan view of the casing interior; and

FIG. 5 is a perspective view (a) of the casing bottom taken from a position opposite to that shown in FIG. 1, and (b) of the end of the casing opposite to that shown in FIG. 1.



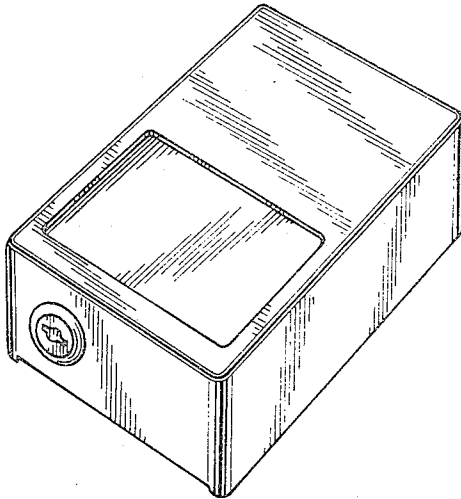


fig. 5

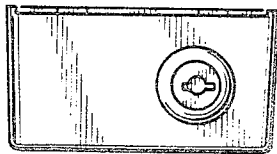


fig. 2

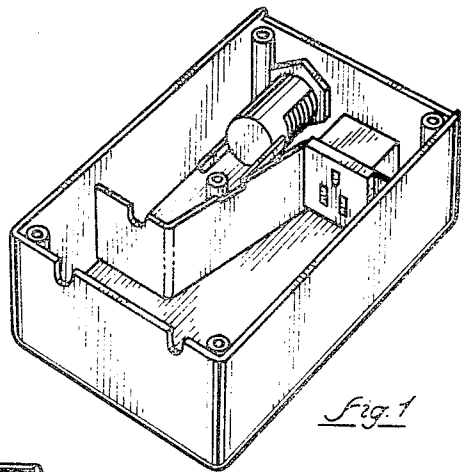


fig. 1

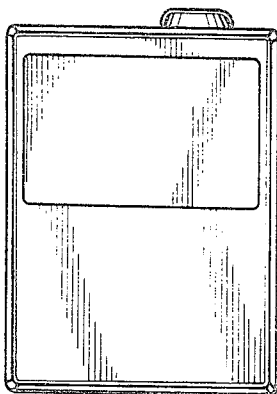


fig. 3

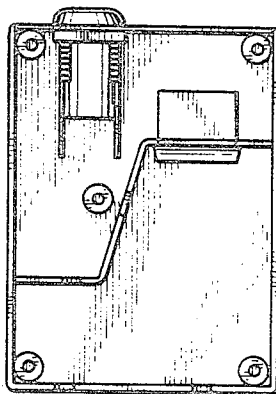


fig. 4