



US00D732519S

(12) **United States Design Patent**
Aspinall et al.

(10) **Patent No.:** **US D732,519 S**

(45) **Date of Patent:** **** Jun. 23, 2015**

(54) **MOBILE MOUNT**

(71) Applicant: **IOTTIE, INC.**, Hackensack, NJ (US)

(72) Inventors: **John Aspinall**, Staten Island, NY (US);
James Byun, Brooklyn, NY (US); **Kyu Seop Lee**, Basking Ridge, NJ (US); **Alan Yu Tung Ng**, New York, NY (US)

(73) Assignee: **IOTTIE, INC.**, Hackensack, NJ (US)

(**) Term: **14 Years**

(21) Appl. No.: **29/504,393**

(22) Filed: **Oct. 6, 2014**

Related U.S. Application Data

(63) Continuation of application No. 29/487,537, filed on Apr. 9, 2014, now Pat. No. Des. 718,297.

(51) **LOC (10) Cl.** **14-03**

(52) **U.S. Cl.**

USPC **D14/253**

(58) **Field of Classification Search**

USPC D14/137, 140, 140.8, 142, 204, 209.1,
D14/217, 221, 243-256, 434, 440, 444-447,
D14/238.1; D8/400-404, 499; D2/861;
D3/215, 218, 304, 269; D6/467, 300,
D6/310, 553-574; D25/318; 292/342, 343;
248/188.2; 348/373, 376; D12/415,
D12/411; D19/87, 90; 455/573, 575.1,
455/575.9

See application file for complete search history.

(56) **References Cited**

U.S. PATENT DOCUMENTS

7,219,867 B2 * 5/2007 Kalis et al. 248/288.31
D566,647 S * 4/2008 Lee D12/415
7,475,858 B2 * 1/2009 Kalis et al. 248/288.31

(Continued)

Primary Examiner — Susan Bennett Hattan

Assistant Examiner — Janice Hallmark

(74) *Attorney, Agent, or Firm* — Lucas & Mercanti, LLP

(57) **CLAIM**

The ornamental design for mobile mount, as shown and described.

DESCRIPTION

FIG. 1 is a perspective view of the top, front, and right side of the mobile mount of the present invention in the withdrawn state;

FIG. 2 is a perspective view of the top, rear, and right side of the mobile mount of FIG. 1;

FIG. 3 is a perspective view of a front and a right side of the mobile mount of FIG. 1;

FIG. 4 is a perspective view of a front and a left side of the mobile mount of FIG. 1;

FIG. 5 is a side view of the left side of the mobile mount of FIG. 1;

FIG. 6 is a front view of the mobile mount of FIG. 1;

FIG. 7 is a top view of the mobile mount of FIG. 1;

FIG. 8 is a rear view of the mobile mount of FIG. 1;

FIG. 9 is a side view of the right side of the mobile mount of FIG. 1;

FIG. 10 is a bottom view of the mobile mount of FIG. 1;

FIG. 11 is a perspective view of the top, front, and right side of the mobile mount of FIG. 1 shown in an environment of use;

FIG. 12 is a perspective view of the top, rear, and right side of the mobile mount of FIG. 1 shown in an environment of use;

FIG. 13 is a perspective view of the top, front, and right side of the mobile mount of the present invention in an extended state; and,

FIG. 14 is a perspective view of the top, rear, and right side of the mobile mount of FIG. 13.

The broken line showing of the mobile holder in FIGS. 11, 12, 13 and 14 depicts environmental subject matter only and forms no part of the claimed design.

1 Claim, 14 Drawing Sheets

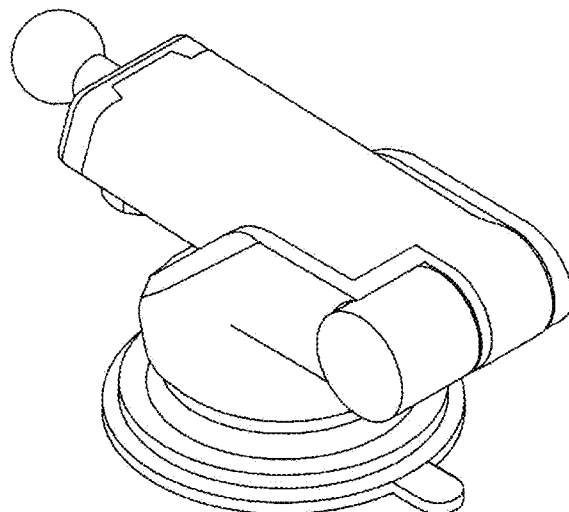
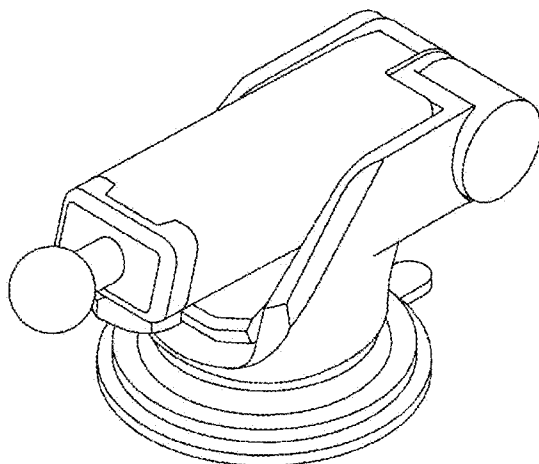


Fig. 1

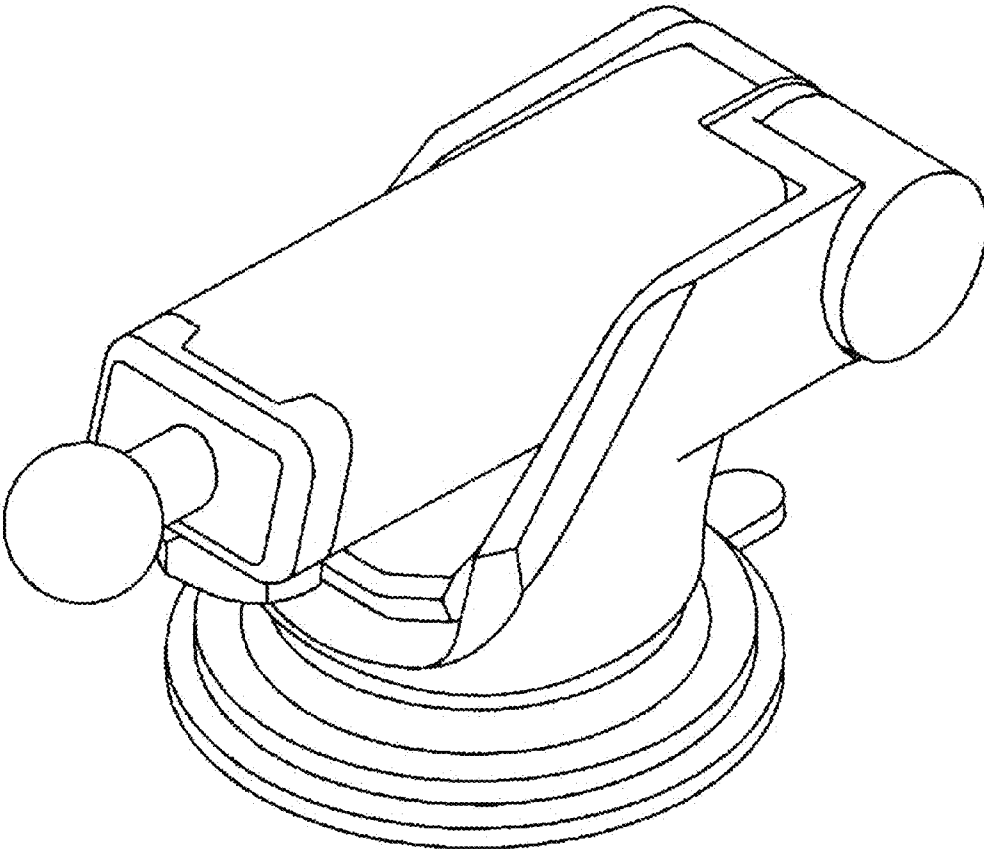


Fig. 2

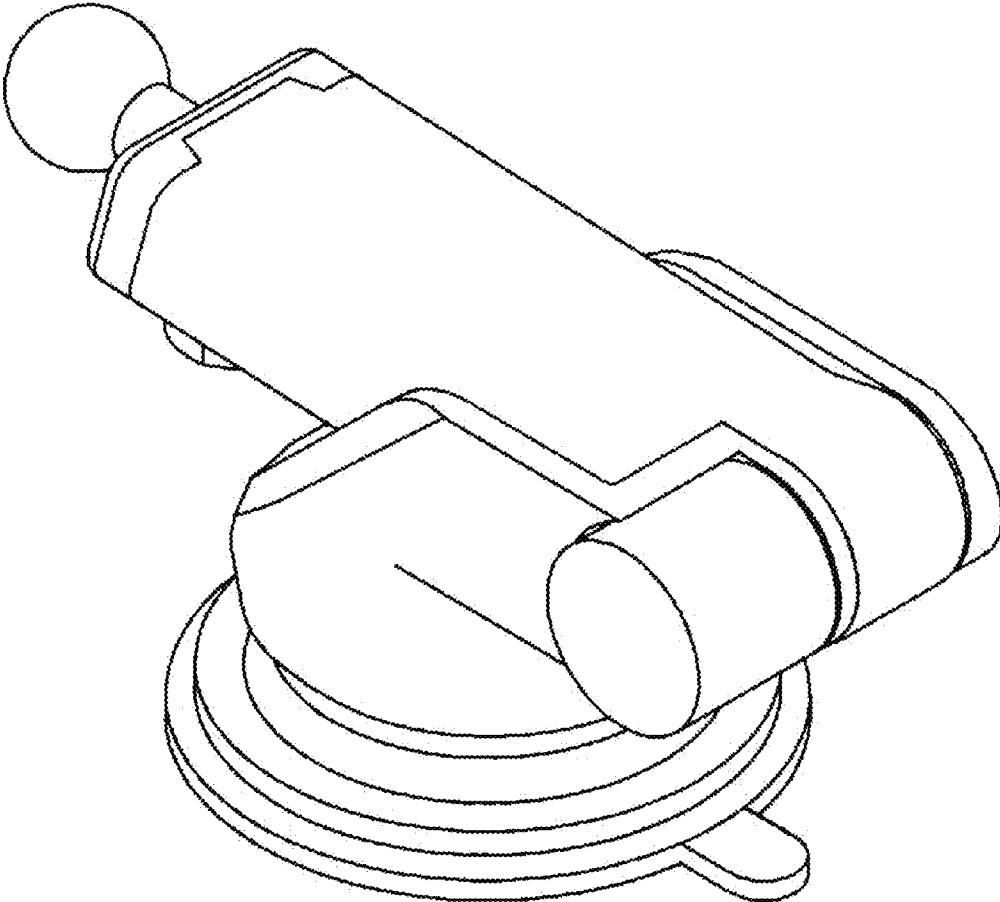


Fig. 3

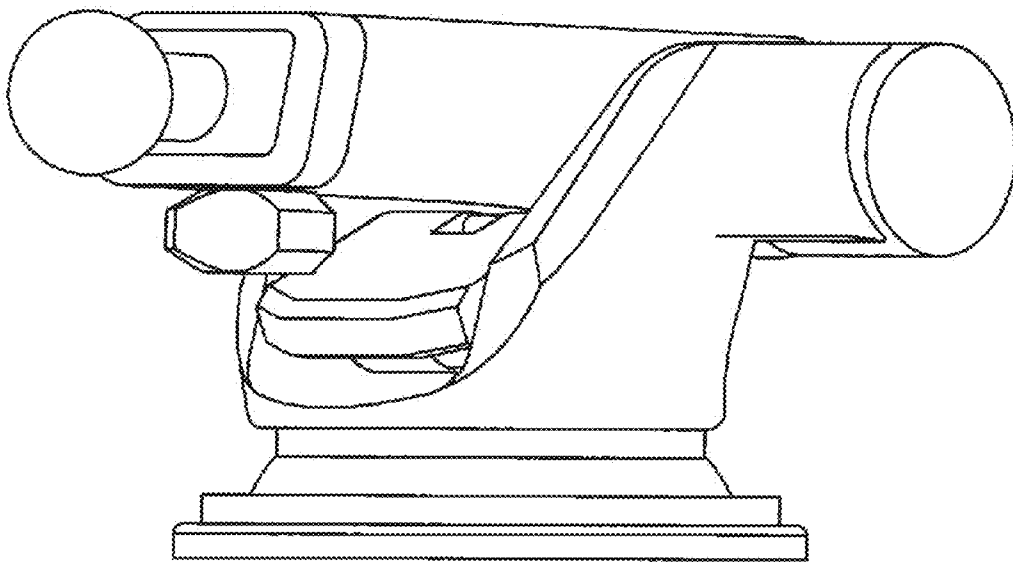


Fig. 4

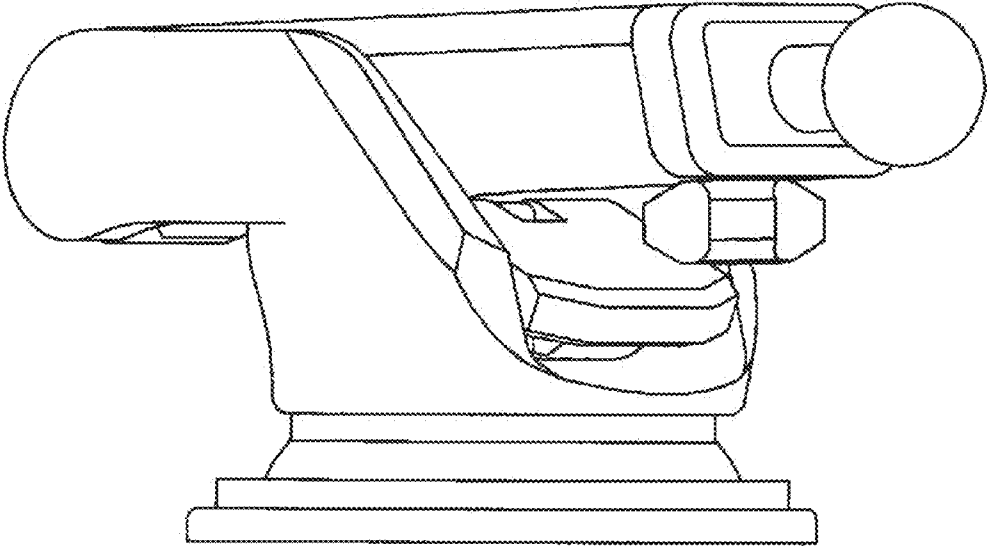


Fig. 5

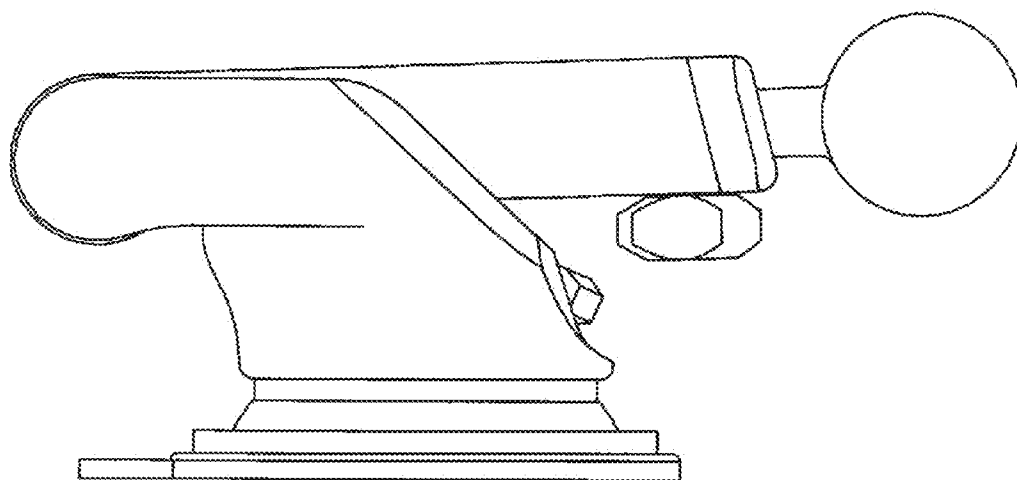


Fig. 6

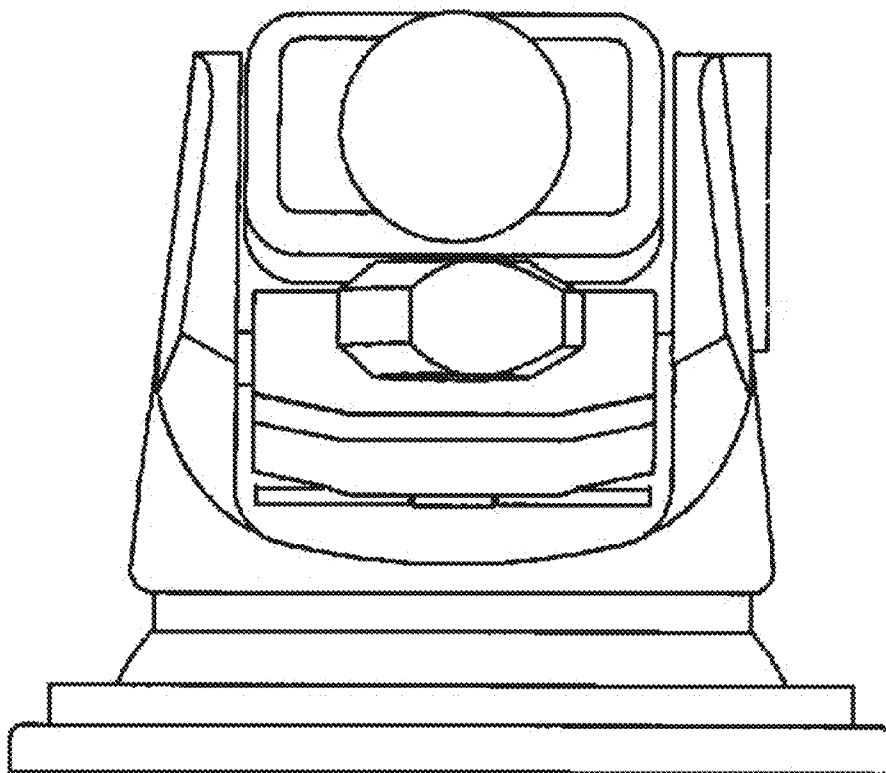


Fig. 7

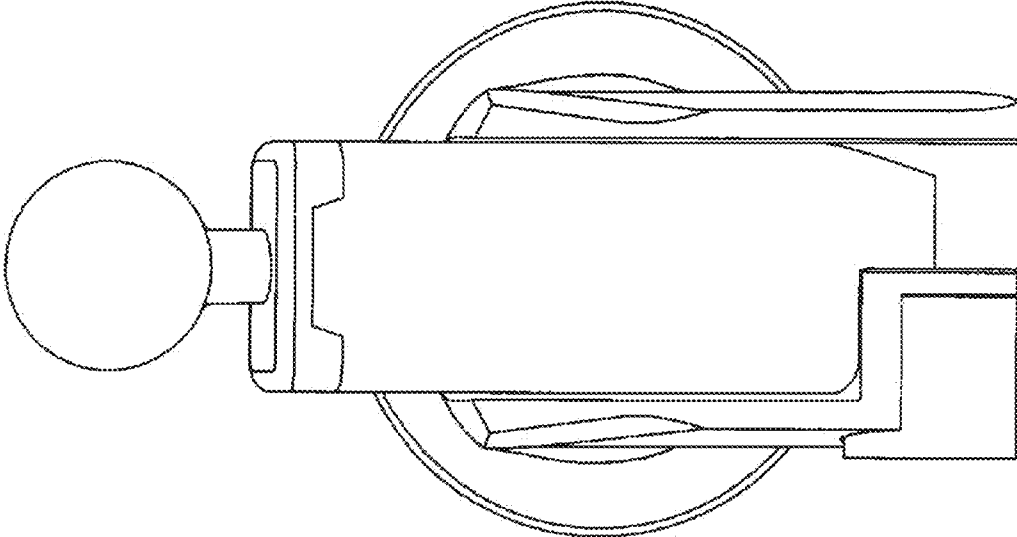


Fig. 8

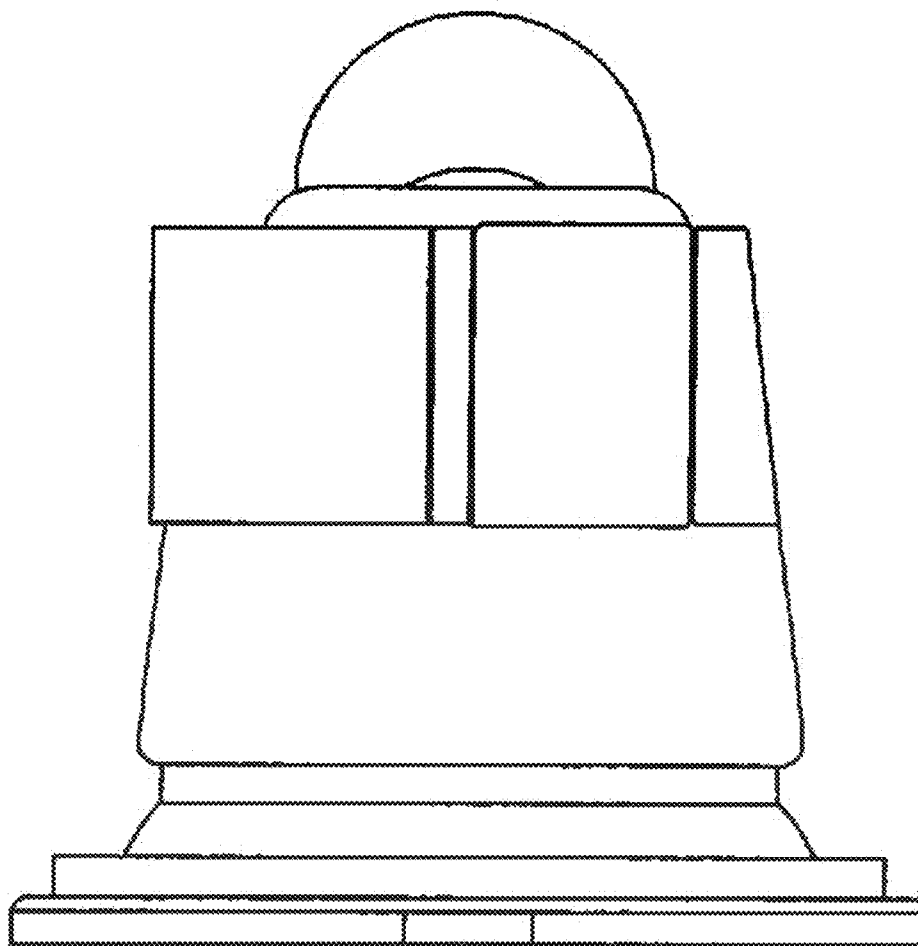


Fig. 9

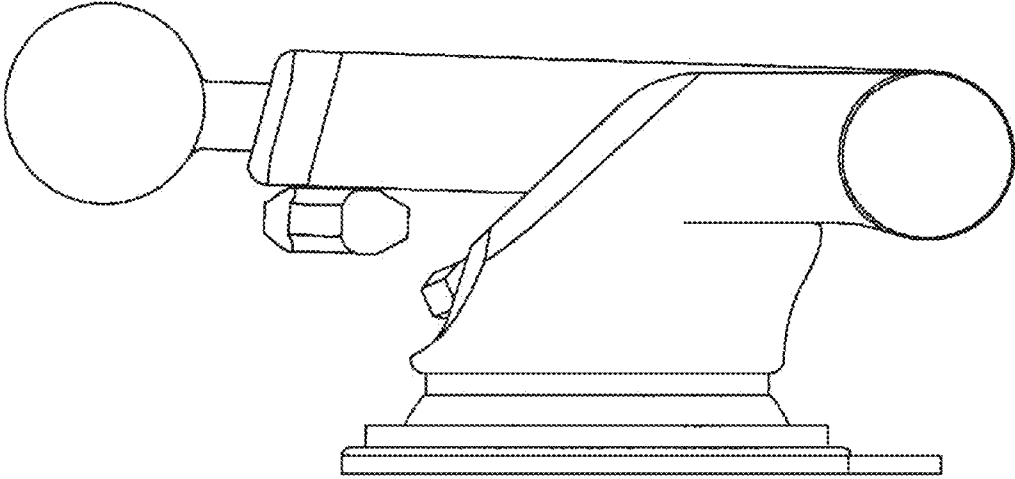


Fig. 10

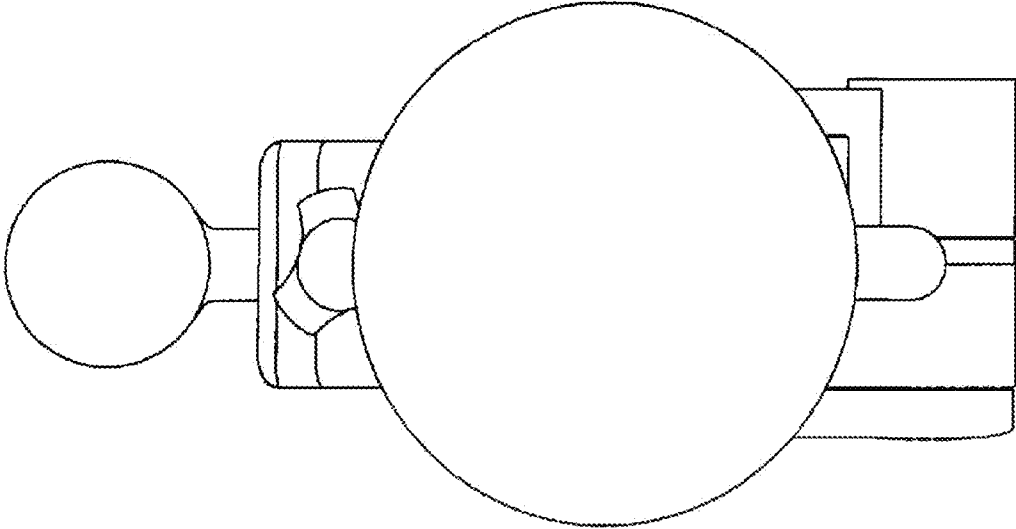


Fig. 11

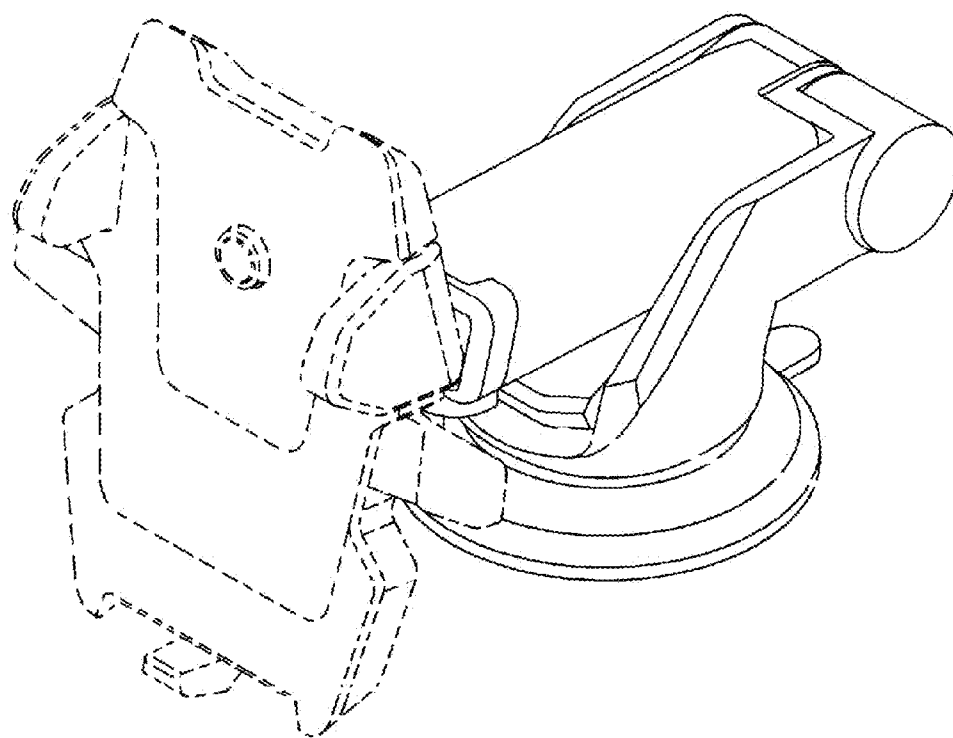


Fig. 12

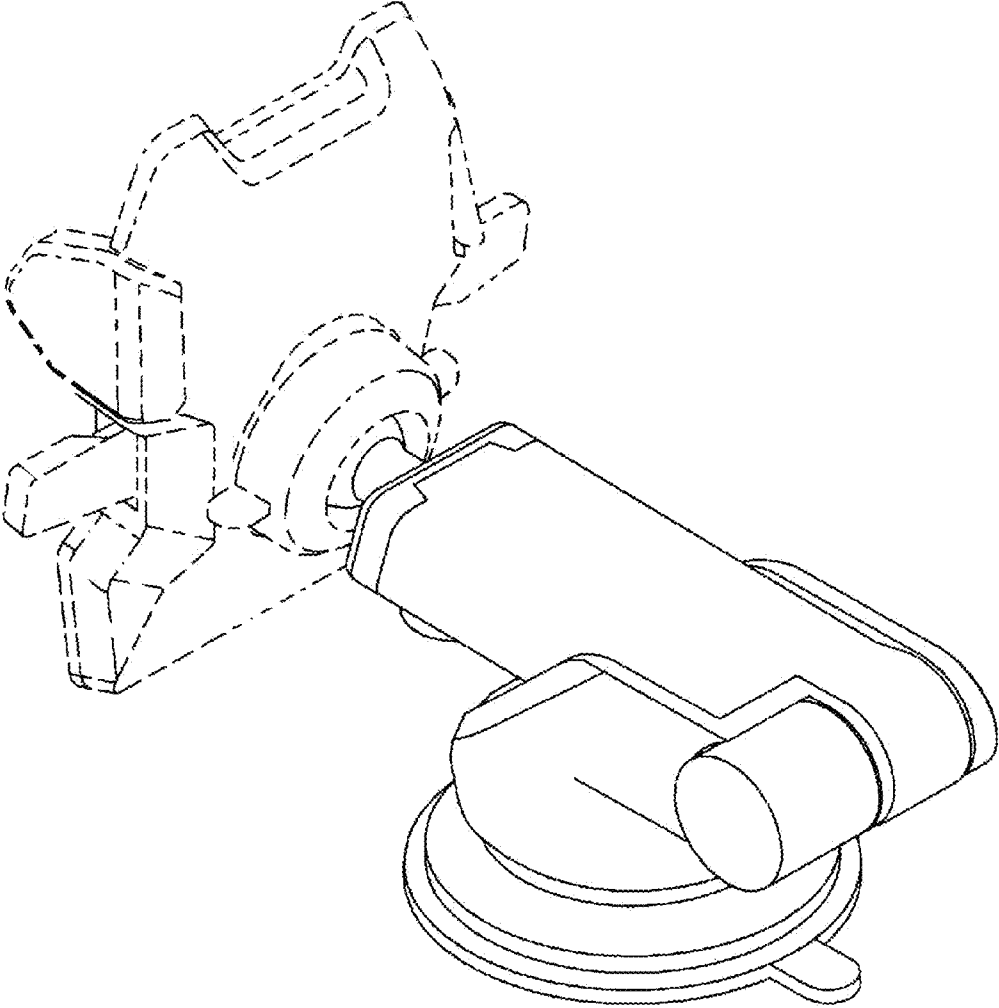


Fig. 13

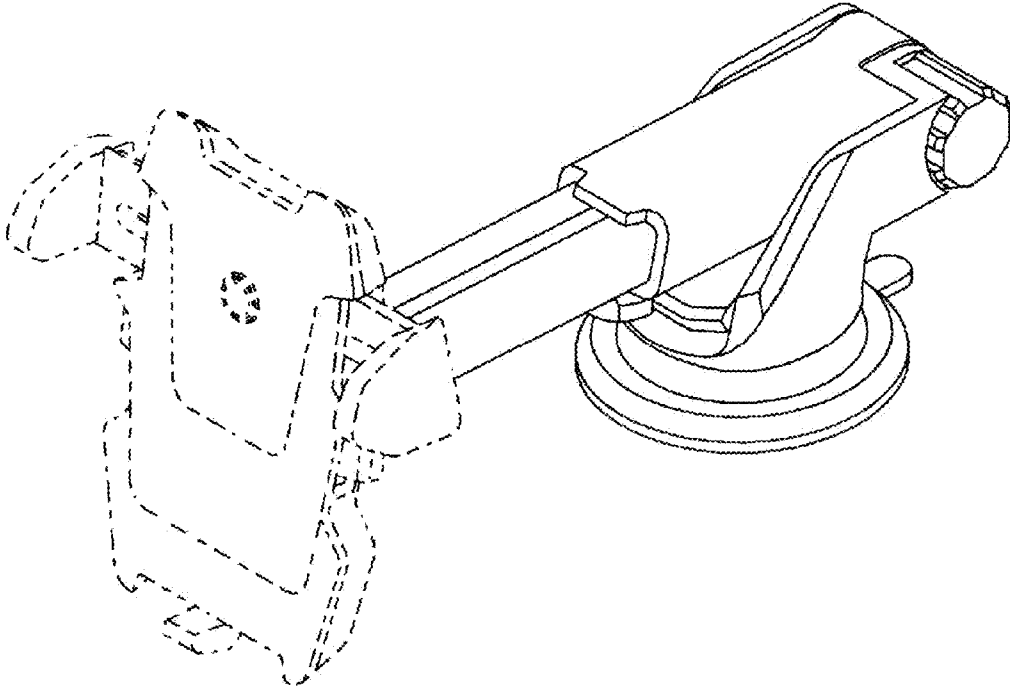


Fig. 14

