



US00D756477S

(12) **United States Design Patent**  
**Chorne**

(10) **Patent No.:** **US D756,477 S**

(45) **Date of Patent:** **\*\* May 17, 2016**

(54) **GOLF TARGET ALIGNMENT TRAINING DEVICE**

D555,746 S \* 11/2007 Hauskins ..... D21/789  
D692,512 S \* 10/2013 Fanfelle ..... D21/791  
D732,130 S \* 6/2015 Covino ..... D21/791

(71) Applicant: **Robert Chorne**, Freeport, NY (US)

\* cited by examiner

(72) Inventor: **Robert Chorne**, Freeport, NY (US)

*Primary Examiner* — Mitchell Siegel

(\*\*) Term: **14 Years**

(57) **CLAIM**

(21) Appl. No.: **29/474,945**

The ornamental design for a golf target alignment training device, as shown and described.

(22) Filed: **Mar. 26, 2015**

**DESCRIPTION**

(51) **LOC (10) Cl.** ..... **21-02**

(52) **U.S. Cl.**

USPC ..... **D21/791**

(58) **Field of Classification Search**

USPC ..... D21/789, 791, 792, 717

CPC ..... A63B 69/36; A63B 69/3623; A63B

69/3667; A63B 57/10; A63B 57/20

See application file for complete search history.

FIG. 1 is a perspective view of the golf target alignment training device;

FIG. 2 is an enlarged perspective view;

FIG. 3: Top plan view

FIG. 4: Bottom plan view

FIG. 5: Left side elevation

FIG. 6: Right side elevation

FIG. 7: Front end elevation; and,

FIG. 8: Rear end elevation.

The broken away symbols in the drawings indicate the appearance of any portion of the article between the break lines forms no part of the claimed design.

The broken line showing is included for the purpose of illustrating and forms no part of the claimed design.

(56) **References Cited**

**U.S. PATENT DOCUMENTS**

D184,775 S \* 3/1959 Smith ..... D21/717

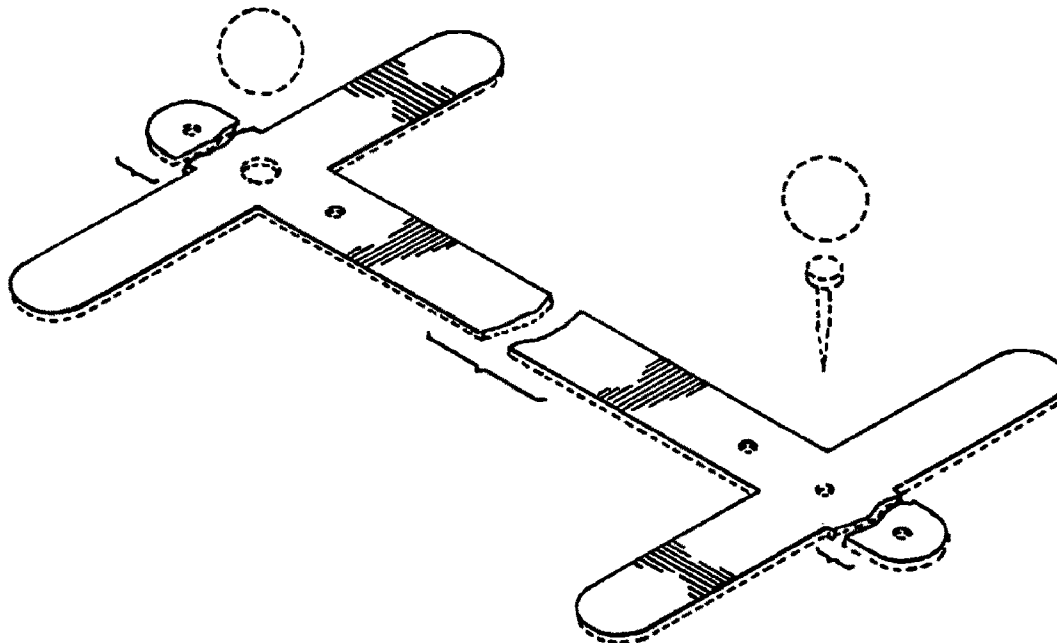
D332,816 S \* 1/1993 Tarver ..... D21/791

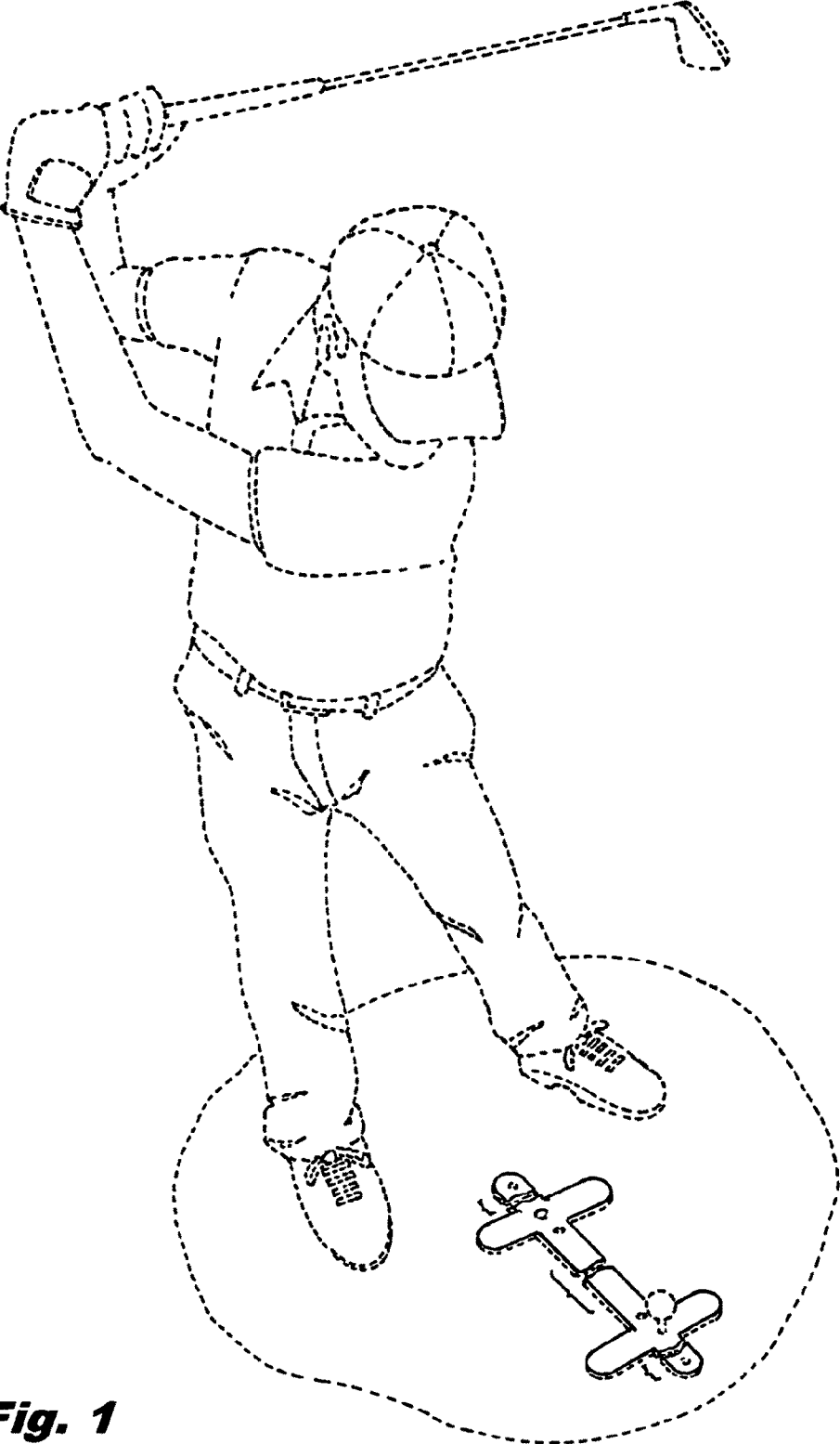
D339,840 S \* 9/1993 Coconate ..... D21/717

D347,457 S \* 5/1994 Armstrong, III ..... D21/791

D539,374 S \* 3/2007 Whitehouse ..... D21/789

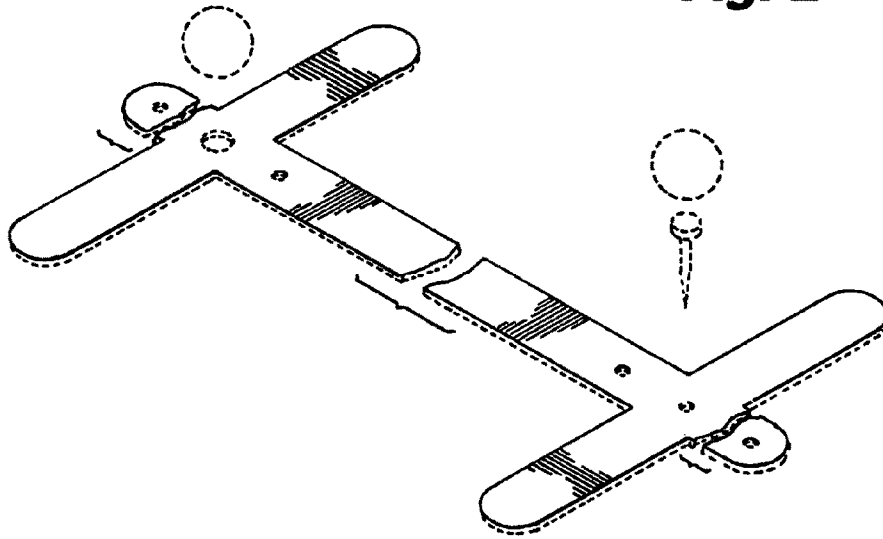
**1 Claim, 3 Drawing Sheets**



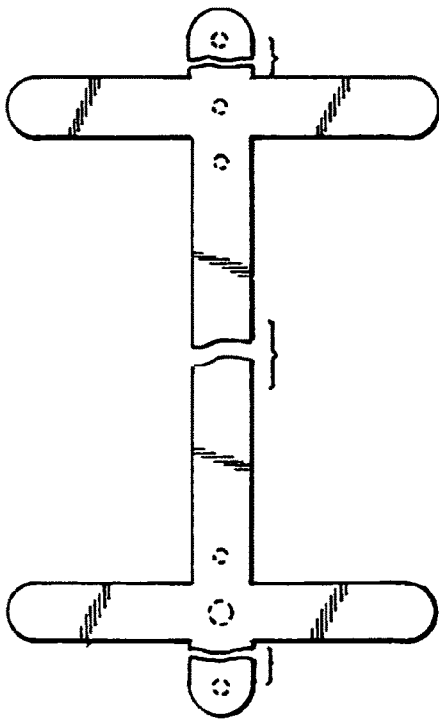


**Fig. 1**

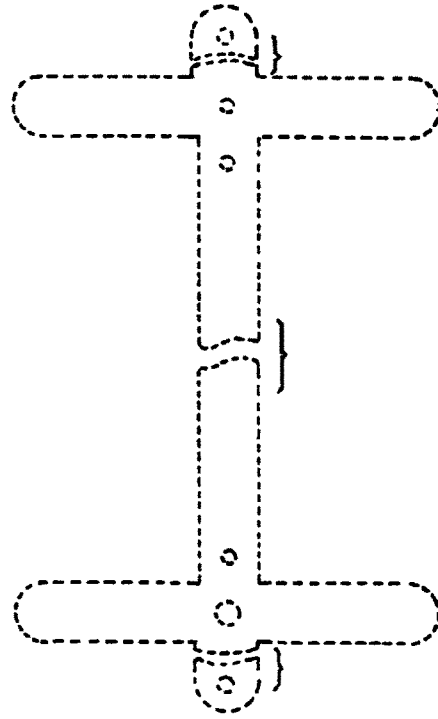
**Fig. 2**

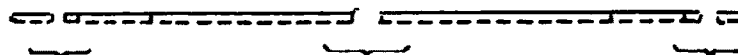


**Fig. 3**



**Fig. 4**





**Fig. 5**



**Fig. 6**



**Fig. 7**



**Fig. 8**