



US00D804253S

(12) **United States Design Patent**
Thompson

(10) **Patent No.:** **US D804,253 S**

(45) **Date of Patent:** **** Dec. 5, 2017**

(54) **COMBINED DRINK HOLDER AND COOLER**

Primary Examiner — Terry A Wallace

(74) *Attorney, Agent, or Firm* — Fraline J. Allgaier

(71) Applicant: **Princess E. Thompson**, Dalton, IL
(US)

(57) **CLAIM**

(72) Inventor: **Princess E. Thompson**, Dalton, IL
(US)

The ornamental design for a combined drink holder and cooler, as shown and described.

(**) Term: **15 Years**

DESCRIPTION

(21) Appl. No.: **29/582,947**

FIG. 1 is a top, left side perspective view of the combined drink holder and cooler showing my new design.

(22) Filed: **Nov. 1, 2016**

FIG. 2 is a front perspective view thereof, in an open position.

(51) **LOC (10) Cl.** **07-01**

FIG. 3 is a right side perspective view thereof.

(52) **U.S. Cl.**

FIG. 4 is a left side perspective view thereof.

USPC **D7/605**

FIG. 5 is a bottom perspective view thereof.

(58) **Field of Classification Search**

FIG. 6 is a front perspective view thereof; and,

USPC D7/603–608, 629, 630; D3/201,
D3/203.1–203.8, 202, 272–274

FIG. 7 is a rear perspective view thereof.

CPC F25D 3/14; F25D 3/08; F25D 3/06; F25D
2331/804; A45C 11/20; B65D 81/3813;
B65D 81/3823; B65D 81/3834; B65D
81/3816; B65D 81/3858

A combined drink holder and cooler device is presented. The device includes a cover that is attached to a base by means of two holder elements. The holder elements allow the cover to be snapped into closed and opened positions above the base. The cover features two circular openings for inserting containers holding drinks or other items requiring cooling or storage inside of the base. The base of the device holds liquid and solid elements to facilitate the cooling of items that are inserted through the cover. The device has a s-shaped configuration that facilitates easy handling and transportation.

See application file for complete search history.

(56) **References Cited**

U.S. PATENT DOCUMENTS

3,401,535 A * 9/1968 Palmer F25D 3/00
206/139

* cited by examiner

1 Claim, 7 Drawing Sheets

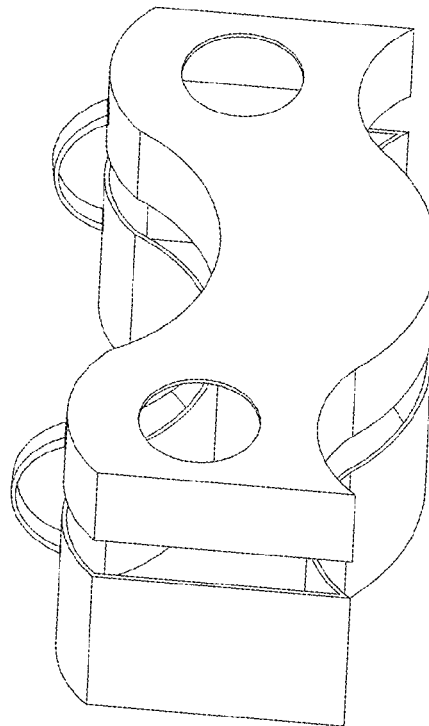


FIG. 1

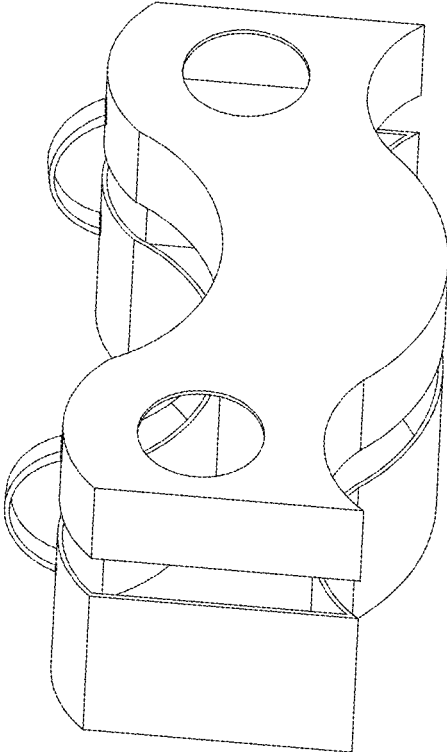


FIG. 2

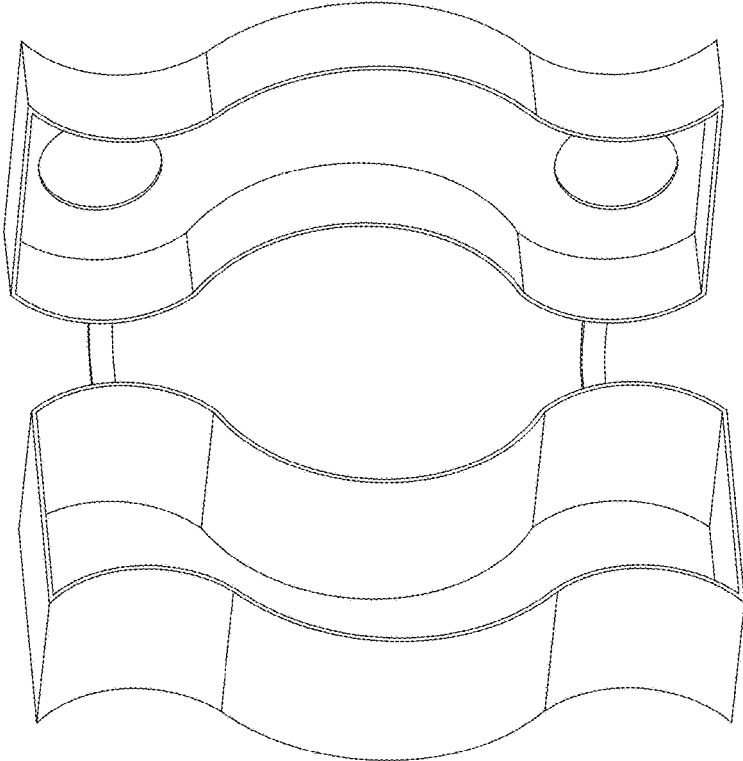


FIG. 3

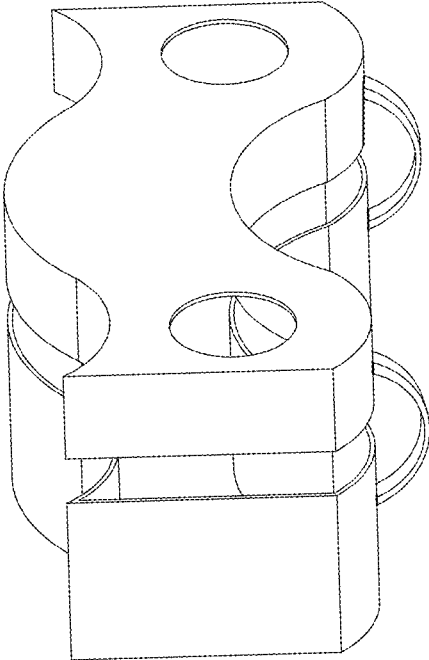


FIG. 4

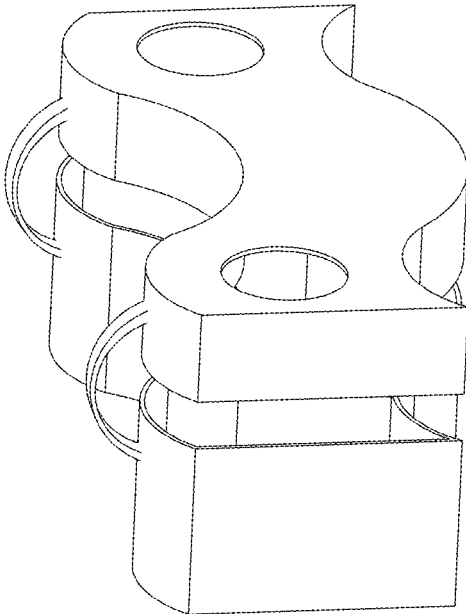


FIG. 5

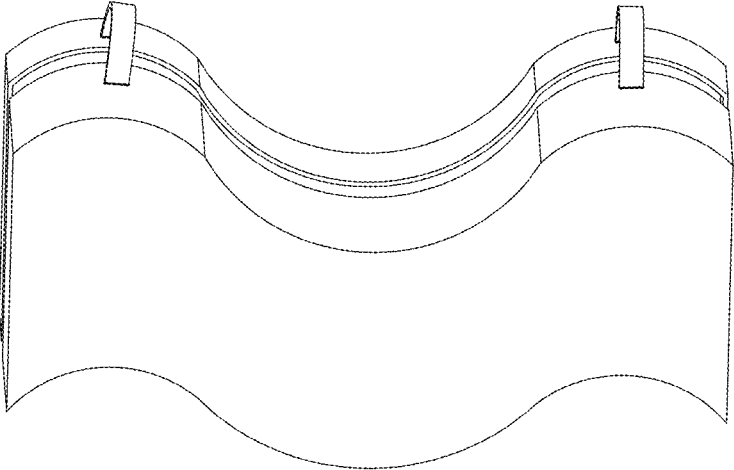


FIG. 6

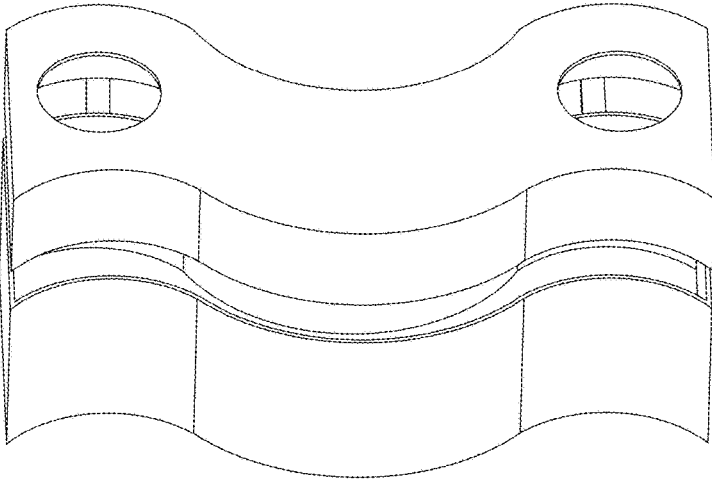


FIG. 7

