



US00D970324S

(12) **United States Design Patent**  
**Shao**

(10) **Patent No.:** **US D970,324 S**

(45) **Date of Patent:** **\*\* Nov. 22, 2022**

(54) **PLASTIC WELDER**  
(71) Applicant: **Yuanchao Shao**, Zhejiang (CN)  
(72) Inventor: **Yuanchao Shao**, Zhejiang (CN)  
(\*\*) Term: **15 Years**

D367,805 S \* 3/1996 Pringle ..... D8/29.1  
D402,518 S \* 12/1998 Lee ..... D8/30  
D406,992 S \* 3/1999 Cheng ..... D8/30  
D617,618 S \* 6/2010 Steinel ..... D28/13  
8,443,860 B1 \* 5/2013 Wang ..... B29C 66/81262  
156/499  
D787,907 S 5/2017 Exley  
D942,828 S \* 2/2022 Meraviglia ..... D8/30

(21) Appl. No.: **29/823,011**

(22) Filed: **Jan. 13, 2022**

(51) **LOC (13) Cl.** ..... **08-05**

(52) **U.S. Cl.**  
USPC ..... **D8/30**

(58) **Field of Classification Search**  
USPC ..... D8/30, 51, 68; D15/144, 144.1, 144.2  
CPC ..... B29C 66/43; C09J 3/06; B23K 11/115  
See application file for complete search history.

(56) **References Cited**

**U.S. PATENT DOCUMENTS**

3,066,841 A \* 12/1962 Hancock ..... B29C 65/40  
242/615.3  
3,543,968 A \* 12/1970 Baker ..... B27G 11/005  
219/229  
D289,968 S \* 5/1987 Somers ..... D8/30  
4,688,709 A \* 8/1987 Minor ..... B65H 51/18  
226/162  
D303,612 S \* 9/1989 Knispel ..... B29C 65/40  
D8/30  
D316,019 S \* 4/1991 Belanger ..... D8/30  
D316,215 S \* 4/1991 Belanger ..... B27G 11/005  
D8/30  
5,046,900 A \* 9/1991 Heiter ..... B25H 1/0057  
408/136  
D350,263 S 9/1994 Maruyama

**OTHER PUBLICATIONS**

Beley Plastic Welder, Amazon.com, Unconfirmed first available date Sep. 2021.\*  
Allturn Plastic Welder, Amazon. Reviewed Aug. 14, 2021.\*

\* cited by examiner

*Primary Examiner* — Philip S Hyder

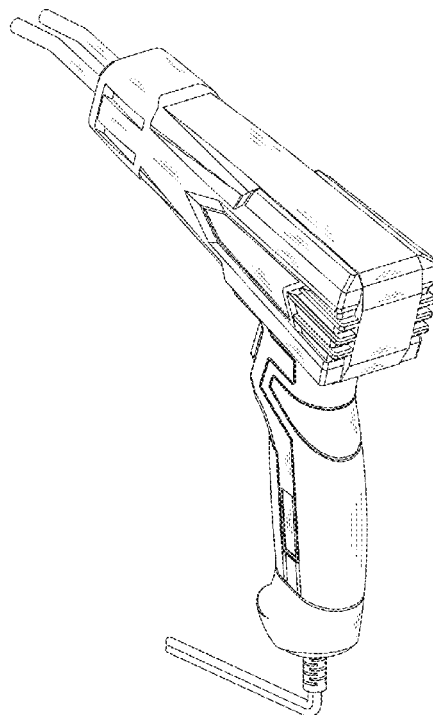
(57) **CLAIM**

The ornamental design for a plastic welder, as shown and described.

**DESCRIPTION**

FIG. 1 is a perspective view of a plastic welder showing my new design;  
FIG. 2 is a front view thereof;  
FIG. 3 is a rear view thereof;  
FIG. 4 is a left side view thereof;  
FIG. 5 is a right side view thereof;  
FIG. 6 is a top plan view thereof; and,  
FIG. 7 is a bottom plan view thereof.

**1 Claim, 7 Drawing Sheets**



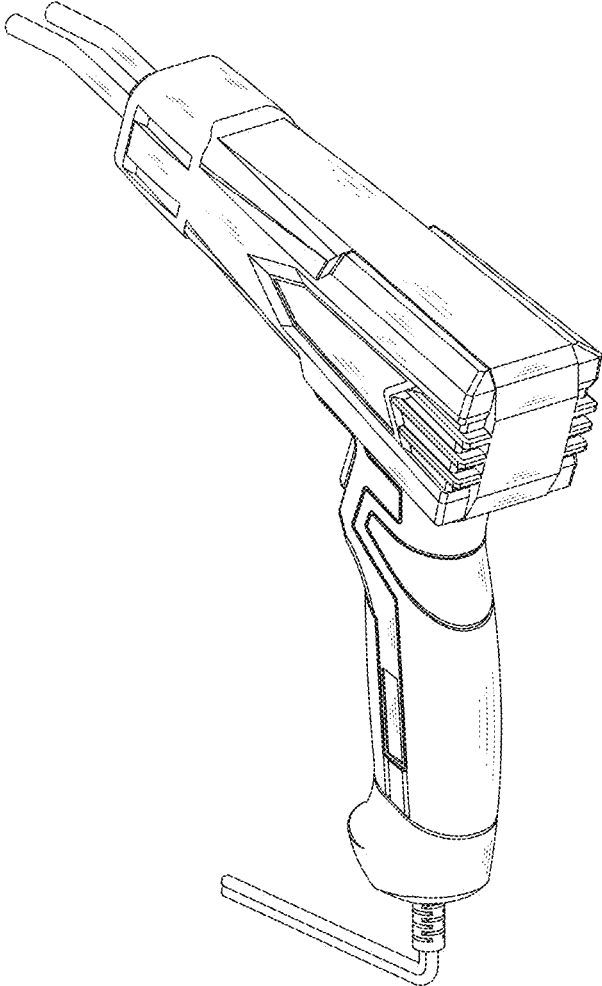


FIG. 1

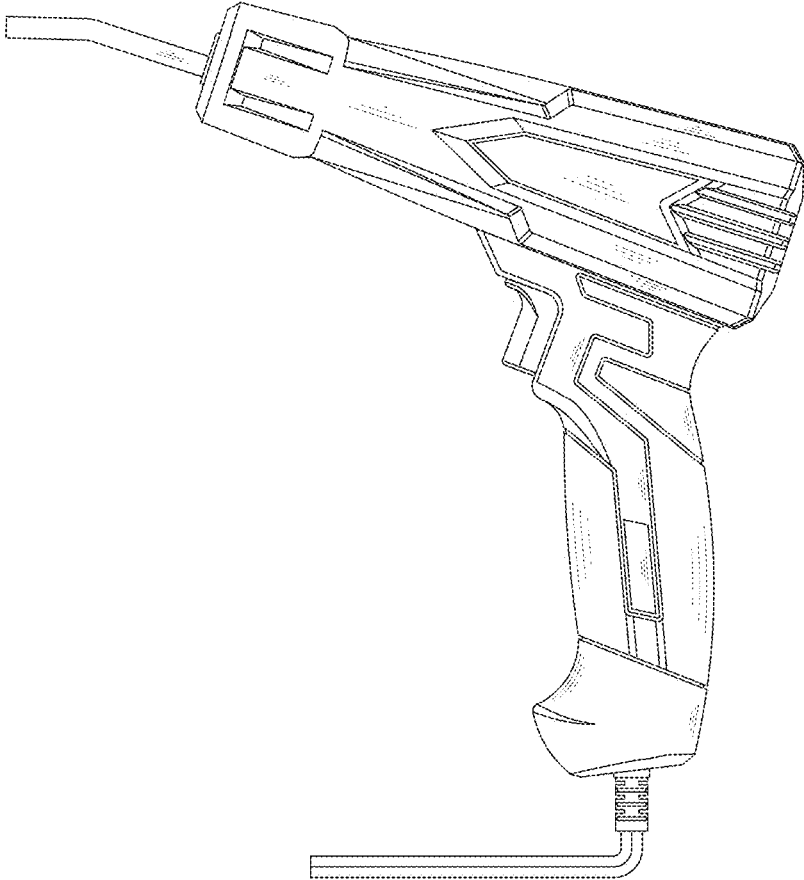


FIG. 2

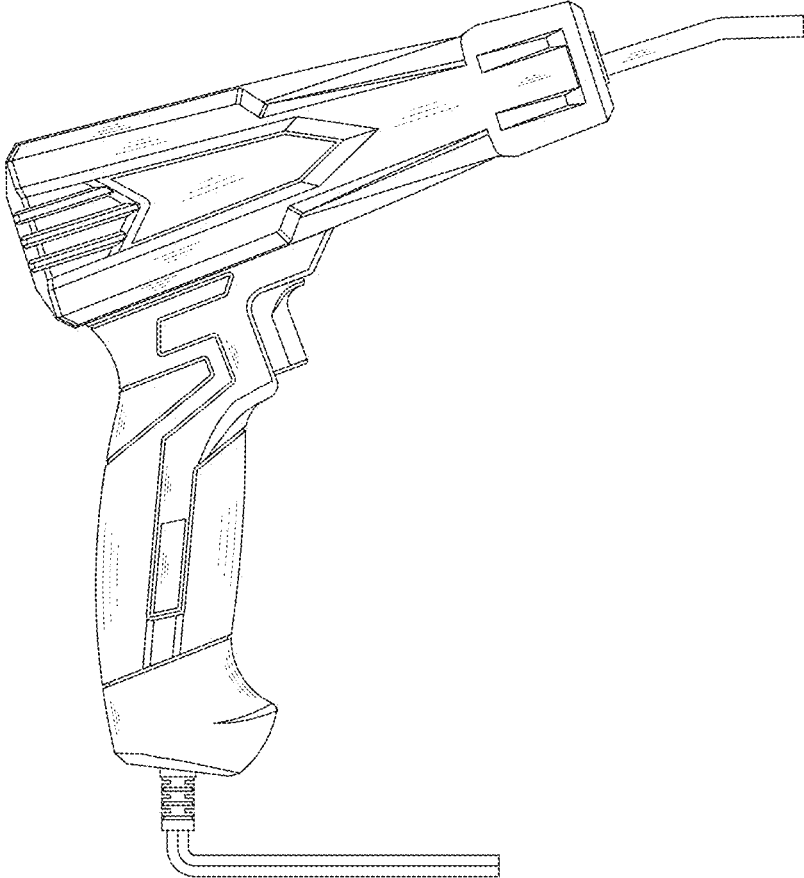


FIG. 3

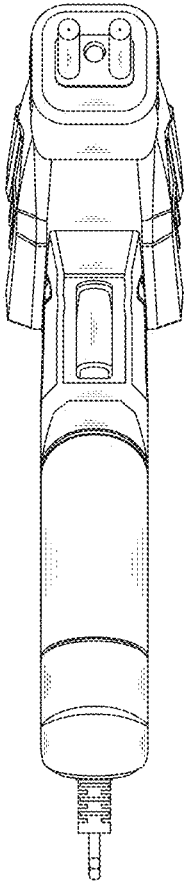


FIG. 4

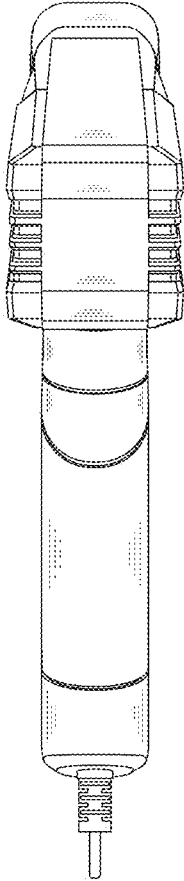


FIG. 5

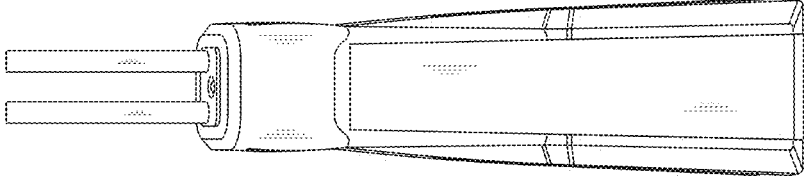


FIG. 6

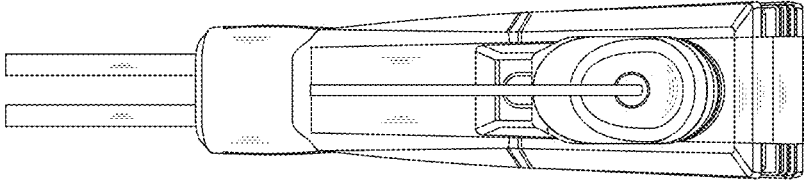


FIG. 7