



US00D331306S

United States Patent [19]

[11] Patent Number: **Des. 331,306**

Sumpter et al.

[45] Date of Patent: **** Nov. 24, 1992**

[54] **COLLAPSIBLE SHIPPING CONTAINER**

4,629,086 12/1986 Trubiano 220/7
4,848,618 7/1989 Yuan et al. 220/1.5

[76] Inventors: **Harold L. Sumpter; Manuel D. J. Flamenco**, both of 17475 Jackson Ave., Fontana, Calif. 92335

OTHER PUBLICATIONS

LewiSystems, Jan. 1983, p. 26.

[**] Term: **14 Years**

Primary Examiner—Bernard Ansher
Assistant Examiner—Prabhakar Deshmukh
Attorney, Agent, or Firm—John H. Crowe

[21] Appl. No.: **648,411**

[57] CLAIM

[22] Filed: **Jan. 30, 1991**

The ornamental design for a collapsible shipping container, as shown and described.

[52] U.S. Cl. **D34/40**

[58] Field of Search **D34/40-46;**
D9/424, 425, 341; 206/499, 503, 515; 220/1.5,
23.6, 23.8, 617, 666, 667, 669, 661

DESCRIPTION

[56] References Cited

U.S. PATENT DOCUMENTS

D. 302,897	8/1989	Shchamorov et al.	D34/40
D. 325,278	4/1992	Van der Vlies	D34/40
2,517,178	8/1950	Cheatham, Jr.	220/7 X
4,062,467	12/1977	Friedrich	220/7 X
4,162,737	7/1979	Clive-Smith	220/7 X

FIG. 1 is a perspective view of a collapsible shipping container showing our new design; FIG. 2 is a front elevational view thereof; the rear elevational view being a mirror image; FIG. 3 is a left side elevational view thereof; the right side elevational view being a mirror image thereof; FIG. 4 is a top plan view thereof; and, FIG. 5 is a bottom plan view thereof.

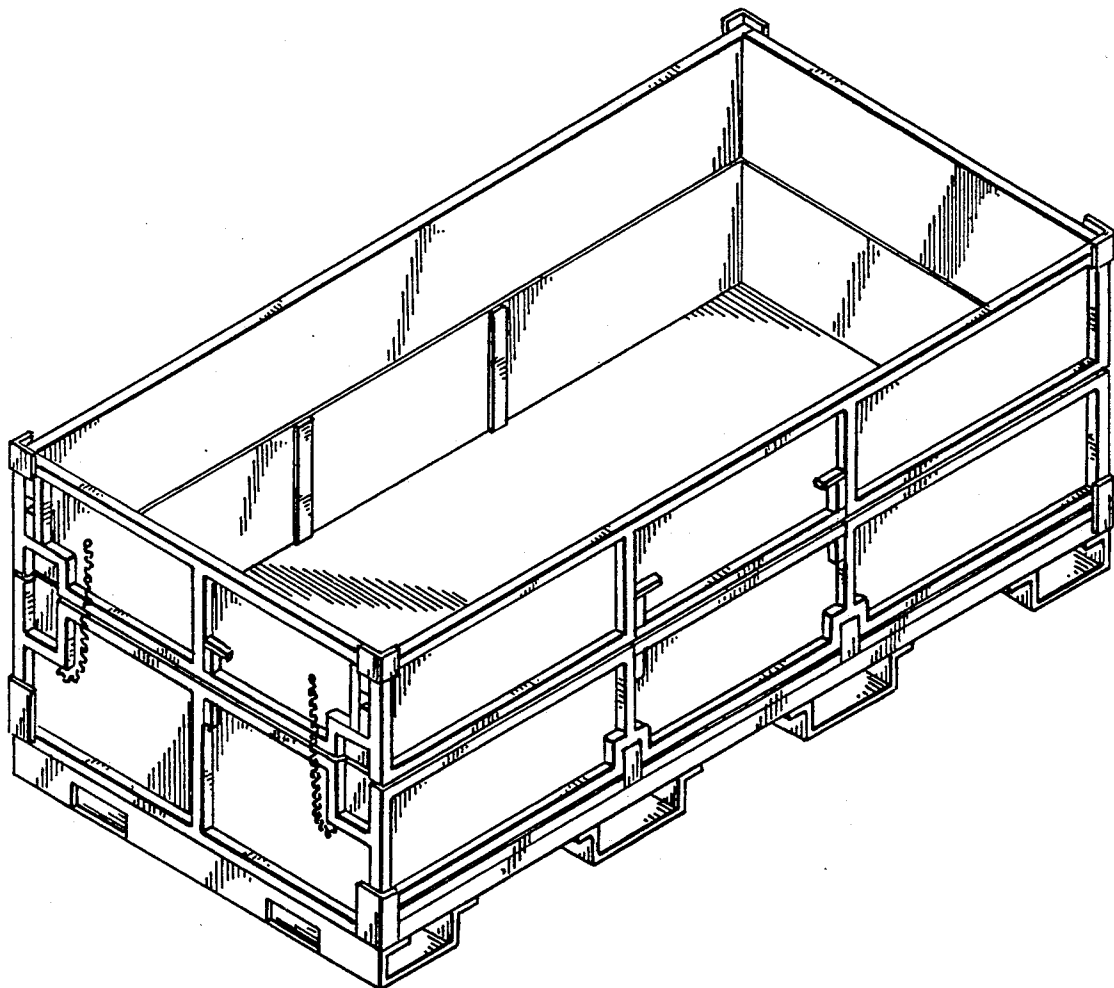


FIG. 1

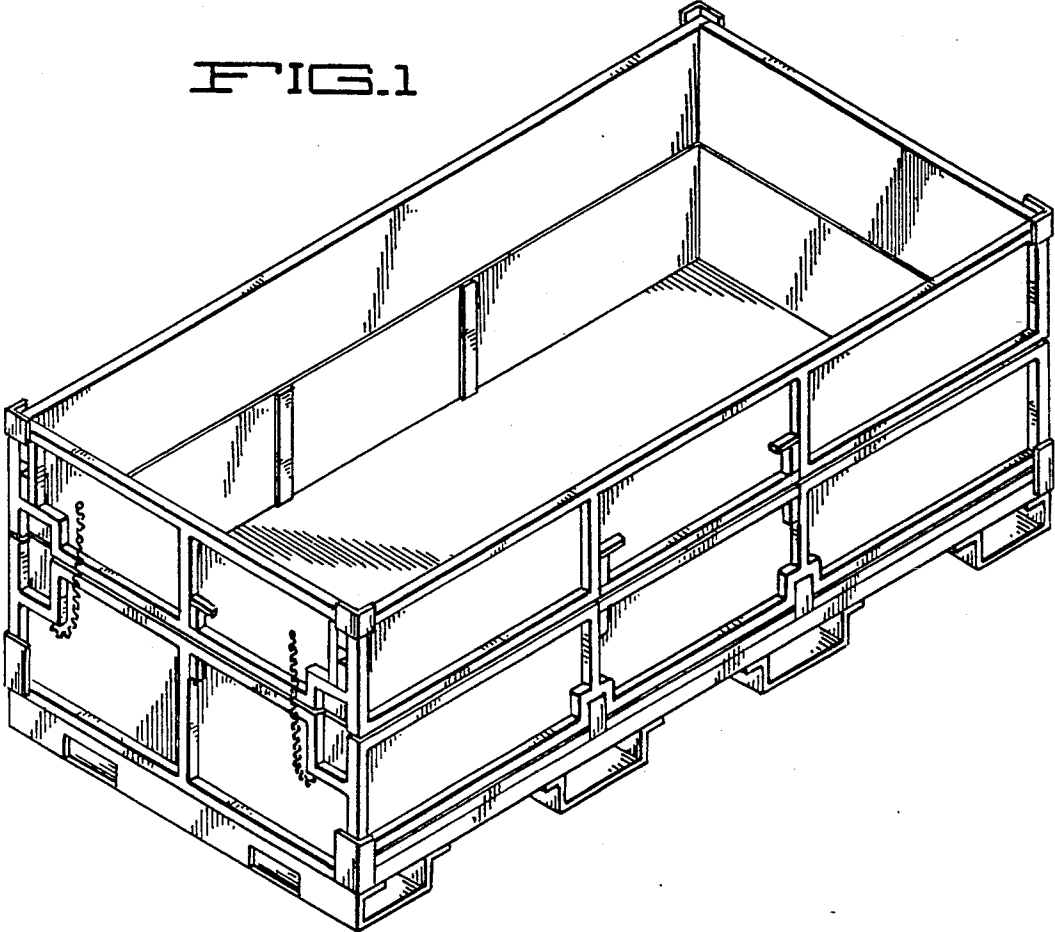
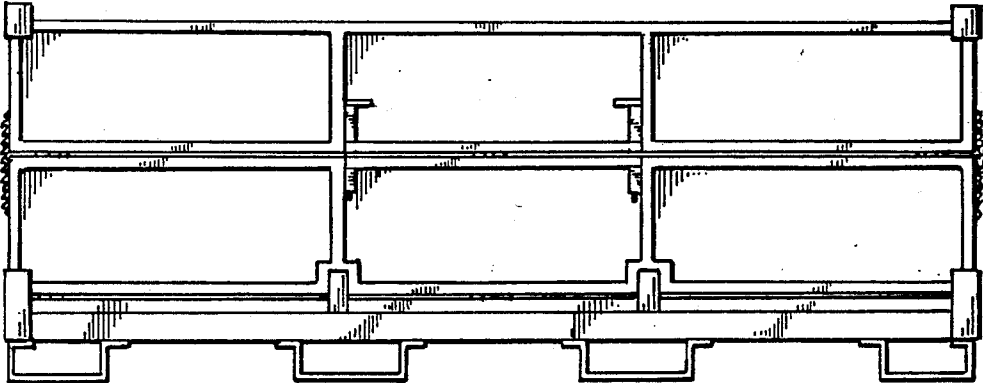


FIG. 2



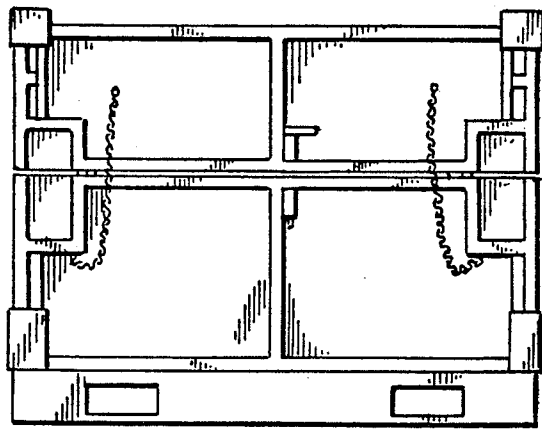


FIG. 3

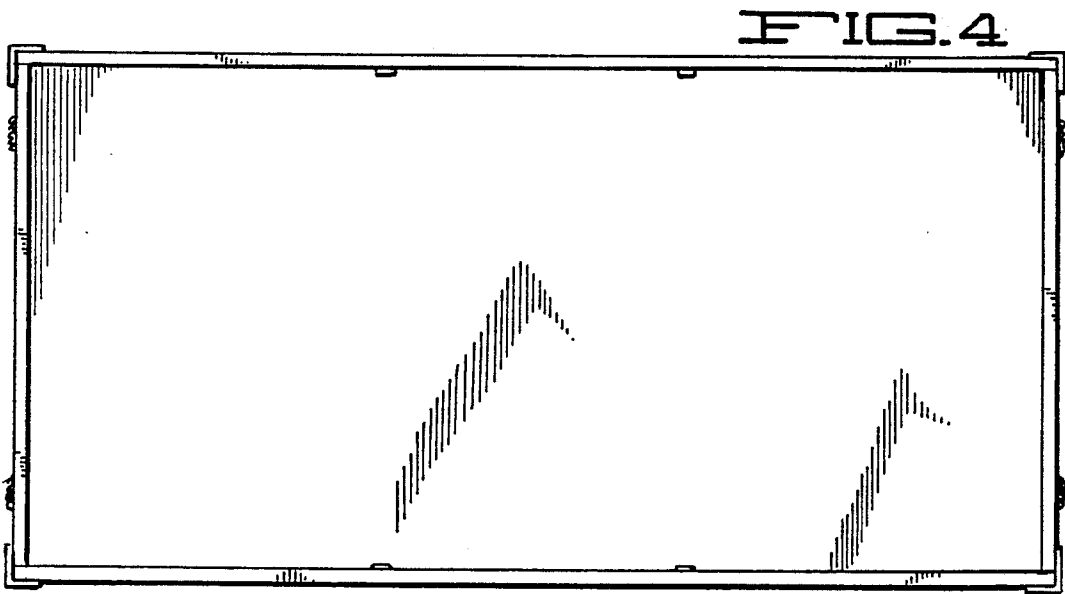


FIG. 4

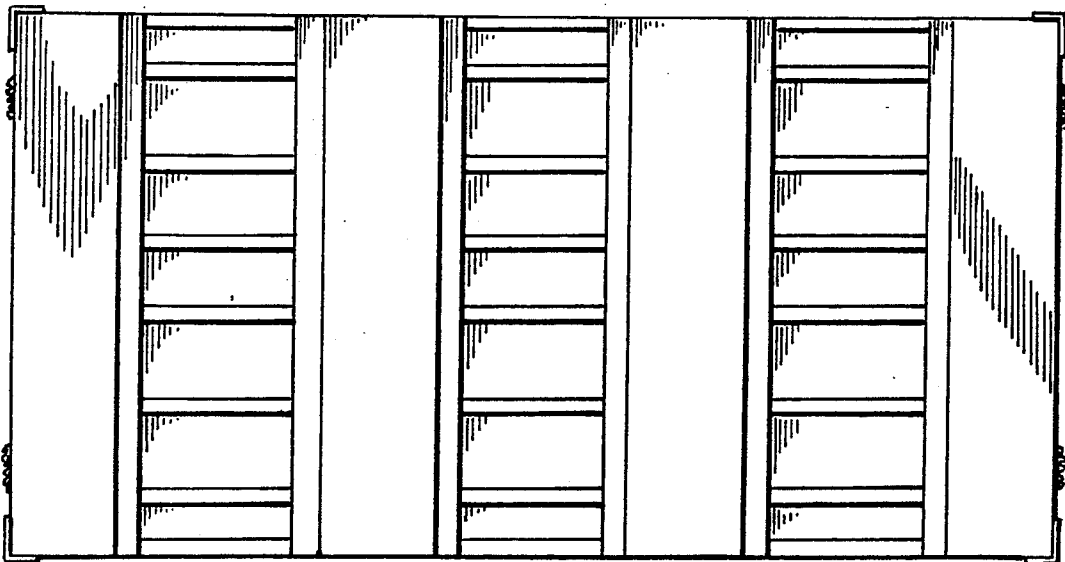


FIG. 5