

(19) World Intellectual Property Organization
International Bureau



(43) International Publication Date
25 October 2007 (25.10.2007)

PCT

(10) International Publication Number
WO 2007/118475 A3

- (51) International Patent Classification:
A47G 19/06 (2006.01) B65D 69/00 (2006.01)
B65D 25/22 (2006.01)
- (21) International Application Number:
PCT/DK2007/000181
- (22) International Filing Date: 13 April 2007 (13.04.2007)
- (25) Filing Language: English
- (26) Publication Language: English
- (30) Priority Data:
11/405,374 17 April 2006 (17.04.2006) US
- (71) Applicant and
(72) Inventor: NIELSEN, Charlotte [DK/DK]; c/o Jytte og Erling Nielsen, DK-7080 Børkop (DK).
- (74) Agent: LAURITSEN, Kim; Lange MÜLLER Grade 25, 2.th, DK-2100 Copenhagen Ø (DK).
- (81) Designated States (unless otherwise indicated, for every kind of national protection available): AE, AG, AL, AM, AT, AU, AZ, BA, BB, BG, BH, BR, BW, BY, BZ, CA, CH,

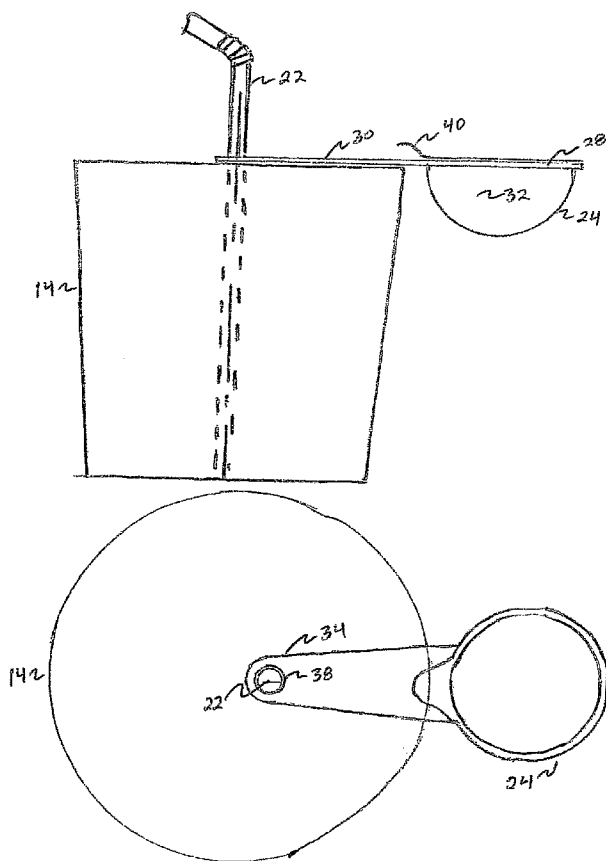
CN, CO, CR, CU, CZ, DE, DK, DM, DZ, EC, EE, EG, ES, FI, GB, GD, GE, GH, GM, GT, HN, HR, HU, ID, IL, IN, IS, JP, KE, KG, KM, KN, KP, KR, KZ, LA, LC, LK, LR, LS, LT, LU, LY, MA, MD, MG, MK, MN, MW, MX, MY, MZ, NA, NG, NI, NO, NZ, OM, PG, PH, PL, PT, RO, RS, RU, SC, SD, SE, SG, SK, SL, SM, SV, SY, TJ, TM, TN, TR, TT, TZ, UA, UG, US, UZ, VC, VN, ZA, ZM, ZW.

- (84) Designated States (unless otherwise indicated, for every kind of regional protection available): ARIPO (BW, GH, GM, KE, LS, MW, MZ, NA, SD, SL, SZ, TZ, UG, ZM, ZW), Eurasian (AM, AZ, BY, KG, KZ, MD, RU, TJ, TM), European (AT, BE, BG, CH, CY, CZ, DE, DK, EE, ES, FI, FR, GB, GR, HU, IE, IS, IT, LT, LU, LV, MC, MT, NL, PL, PT, RO, SE, SI, SK, TR), OAPI (BF, BJ, CF, CG, CI, CM, GA, GN, GQ, GW, ML, MR, NE, SN, TD, TG).

- Published:**
- with international search report
 - before the expiration of the time limit for amending the claims and to be republished in the event of receipt of amendments

[Continued on next page]

(54) Title: ATTACHABLE CONDIMENT CUP ASSEMBLY



(57) Abstract: A condiment cup assembly (10) and methods for attachment to a beverage container (14) is provided. The assembly includes a beverage container cover (16) having an outer edge (18) and a perforation (20) centrally positioned, a drinking straw (22) inserted through the perforation, a condiment container including a vertical sidewall (26) defining a top opening (28) for accessing a storage space (32) of the condiment container, and an integral attachment arm (30) connected to the vertical sidewall, the integral attachment arm including a coupling portion (34). The condiment container is attached to the beverage container cover via the coupling portion.

WO 2007/118475 A3



(88) Date of publication of the international search report:

6 December 2007

For two-letter codes and other abbreviations, refer to the "Guidance Notes on Codes and Abbreviations" appearing at the beginning of each regular issue of the PCT Gazette.

INTERNATIONAL SEARCH REPORT

International application No
PCT/DK2007/000181

A. CLASSIFICATION OF SUBJECT MATTER
INV. A47G19/06 B65D25/22 B65D69/00

According to International Patent Classification (IPC) or to both national classification and IPC

B. FIELDS SEARCHED

Minimum documentation searched (classification system followed by classification symbols)
A47G B65D

Documentation searched other than minimum documentation to the extent that such documents are included in the fields searched

Electronic data base consulted during the international search (name of data base and, where practical, search terms used)

EPO-Internal

C. DOCUMENTS CONSIDERED TO BE RELEVANT

Category*	Citation of document, with indication, where appropriate, of the relevant passages	Relevant to claim No.
X A	WO 2004/086919 A (CHAM HERNANDEZ RICARDO AUGUSTO [MX]) 14 October 2004 (2004-10-14) page 3, line 11 - line 13; figures -----	1,6,9-16 17
X A	WO 94/13180 A (CALDI MICHEL [FR]) 23 June 1994 (1994-06-23) page 10, line 21 - page 11, line 9; figure 10 -----	1-4,11, 12,14, 15,17 9,10
X A	US 4 854 466 A (LANE JR WILLIAM A [US]) 8 August 1989 (1989-08-08) column 4, line 21 - line 29 -----	1,7,8 9,10
X	US 6 394 297 B1 (NANCE GARY [US]) 28 May 2002 (2002-05-28) cited in the application abstract; figures -----	1
	-/--	

Further documents are listed in the continuation of Box C.

See patent family annex.

* Special categories of cited documents :

- *A* document defining the general state of the art which is not considered to be of particular relevance
- *E* earlier document but published on or after the international filing date
- *L* document which may throw doubts on priority claim(s) or which is cited to establish the publication date of another citation or other special reason (as specified)
- *O* document referring to an oral disclosure, use, exhibition or other means
- *P* document published prior to the international filing date but later than the priority date claimed

- *T* later document published after the international filing date or priority date and not in conflict with the application but cited to understand the principle or theory underlying the invention
- *X* document of particular relevance; the claimed invention cannot be considered novel or cannot be considered to involve an inventive step when the document is taken alone
- *Y* document of particular relevance; the claimed invention cannot be considered to involve an inventive step when the document is combined with one or more other such documents, such combination being obvious to a person skilled in the art.
- *&* document member of the same patent family

Date of the actual completion of the international search

12 October 2007

Date of mailing of the international search report

22/10/2007

Name and mailing address of the ISA/

European Patent Office, P.B. 5818 Patentlaan 2
NL - 2280 HV Rijswijk
Tel. (+31-70) 340-2040, Tx. 31 651 epo nl,
Fax: (+31-70) 340-3016

Authorized officer

Zanghi, Amedeo

INTERNATIONAL SEARCH REPORT

International application No
PCT/DK2007/000181

C(Continuation). DOCUMENTS CONSIDERED TO BE RELEVANT

Category*	Citation of document, with indication, where appropriate, of the relevant passages	Relevant to claim No.
A	US 6 427 864 B1 (ASSELIN RANDY P [US]) 6 August 2002 (2002-08-06) cited in the application the whole document -----	1-17

INTERNATIONAL SEARCH REPORT

Information on patent family members

International application No

PCT/DK2007/000181

Patent document cited in search report		Publication date		Patent family member(s)		Publication date
WO 2004086919	A	14-10-2004	MX	JL03000008 A		06-10-2004
WO 9413180	A	23-06-1994	DE	69320650 D1		01-10-1998
			EP	0673218 A1		27-09-1995
			US	5732847 A		31-03-1998
US 4854466	A	08-08-1989	NONE			
US 6394297	B1	28-05-2002	US	2001050283 A1		13-12-2001
US 6427864	B1	06-08-2002	NONE			