



US00D761741S

(12) **United States Design Patent**  
**Santiago et al.**

(10) **Patent No.:** **US D761,741 S**  
(45) **Date of Patent:** **\*\* Jul. 19, 2016**

(54) **CONTROL PANEL**

- (71) Applicant: **Vivint, Inc.**, Provo, UT (US)
- (72) Inventors: **Todd Matthew Santiago**, Orem, UT (US); **James Ellis Nye**, Alpine, UT (US); **Jeremy Bruce Warren**, Draper, UT (US); **Alexander J. Dunn**, Orem, UT (US); **Bruce Ehlers**, Encinitas, CA (US); **Christopher Lee Harris**, Holladay, UT (US); **Scott Simon**, Melville, NY (US); **Lance Leo Dunn**, Colleyville, TX (US); **Christopher Acera**, Carlsbad, CA (US)
- (73) Assignee: **VIVINT, INC.**, Provo, UT (US)
- (\*\*) Term: **15 Years**
- (21) Appl. No.: **29/526,869**
- (22) Filed: **May 13, 2015**

**Related U.S. Application Data**

- (63) Continuation of application No. 29/417,624, filed on Apr. 5, 2012, now Pat. No. Des. 731,442.
- (51) **LOC (10) Cl.** ..... **13-03**
- (52) **U.S. Cl.**  
USPC ..... **D13/162**
- (58) **Field of Classification Search**  
USPC ..... D13/162, 164; D10/49, 50; D14/443, D14/496  
CPC ... F24F 11/00; F24F 11/0012; F24F 11/0086; F24F 11/0009; F24F 2011/0057; F24F 2011/0073; F24F 2011/0091; G05B 19/0426; G05B 19/049; G05B 15/02; G06F 1/1601; G06F 3/041; G06F 3/044; G06F 3/0482; G06F 3/0488; G06F 3/0489; G05D 23/1902; G05D 23/1905; G05D 23/1931; H05B 37/02; H01H 9/02

See application file for complete search history.

(56) **References Cited**

U.S. PATENT DOCUMENTS

D315,315 S	3/1991	Stairs, Jr.
5,237,327 A	8/1993	Saitoh et al.
D344,684 S	3/1994	Metz et al.
5,850,333 A	12/1998	Owanesian et al.
D435,522 S	12/2000	Ohlwine et al.
D453,148 S	1/2002	Alexander et al.
D464,328 S	10/2002	Vasquez et al.
6,677,934 B1	1/2004	Blanchard
D498,426 S	11/2004	Svennberg
D506,151 S	6/2005	Roher et al.
D512,691 S	12/2005	Hisatsune
D513,737 S	1/2006	Riley

(Continued)

*Primary Examiner* — Selina Sikder

(74) *Attorney, Agent, or Firm* — Holland & Hart

(57) **CLAIM**

The ornamental design for a control panel, substantially as shown and described.

**DESCRIPTION**

FIG. 1 is a front perspective view of an embodiment of a design for a control panel, which may be used in a security system, a home automation system, etc.;

FIG. 2 is a front view of the embodiment of the design for the control panel shown in FIG. 1;

FIG. 3 is a first side view of the embodiment of the design for the control panel shown in FIG. 1;

FIG. 4 is a second side view of the embodiment of the design for the control panel shown in FIG. 1;

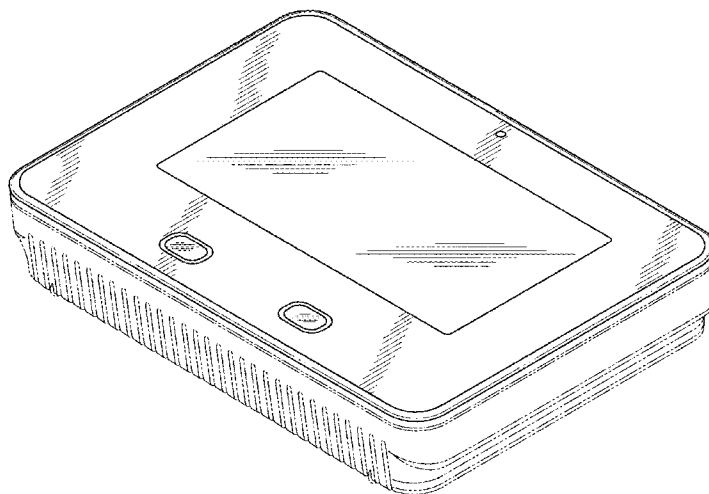
FIG. 5 is a top view of the embodiment of the design for the control panel shown in FIG. 1;

FIG. 6 is a bottom view of the embodiment of the design for the control panel shown in FIG. 1; and,

FIG. 7 is a rear view of the embodiment of the design for the control panel shown in FIG. 1.

The broken line showing of the control panel is for illustrative purposes only and forms no part of the claimed design.

**1 Claim, 3 Drawing Sheets**



(56)

**References Cited**

U.S. PATENT DOCUMENTS

D525,541 S 7/2006 Barton et al.  
 D551,577 S 9/2007 Barton et al.  
 D553,347 S 10/2007 Cooney  
 D556,061 S 11/2007 Rosen  
 D559,197 S 1/2008 Lim et al.  
 D562,259 S 2/2008 Kosche  
 D568,257 S 5/2008 Tatsuyama et al.  
 D578,026 S 10/2008 Roher et al.  
 D582,800 S 12/2008 Comerford et al.  
 D582,801 S 12/2008 Comerford et al.  
 D592,982 S 5/2009 Burt et al.  
 D603,807 S 11/2009 Mehnert et al.  
 D614,585 S 4/2010 Kuroda et al.  
 D648,641 S 11/2011 Wallaert et al.

D649,073 S 11/2011 Baskinger et al.  
 D667,740 S 9/2012 Leung  
 D672,666 S 12/2012 Rhodes et al.  
 D679,205 S 4/2013 Eyring et al.  
 D695,234 S 12/2013 Santiago et al.  
 D727,857 S \* 4/2015 Acera ..... D13/162  
 D731,442 S \* 6/2015 Santiago ..... D13/162  
 D734,179 S \* 7/2015 Golden ..... D10/50  
 D738,756 S \* 9/2015 Jiang ..... D10/50  
 D741,269 S \* 10/2015 Bhattacharya ..... D10/50  
 D742,335 S \* 11/2015 Yamaguchi ..... D10/49  
 D745,420 S \* 12/2015 Li ..... D10/50  
 2004/0095332 A1 5/2004 Blanchard  
 2004/0164966 A1 8/2004 Lee  
 2006/0055681 A1 3/2006 West et al.  
 2009/0174996 A1 7/2009 Park

\* cited by examiner

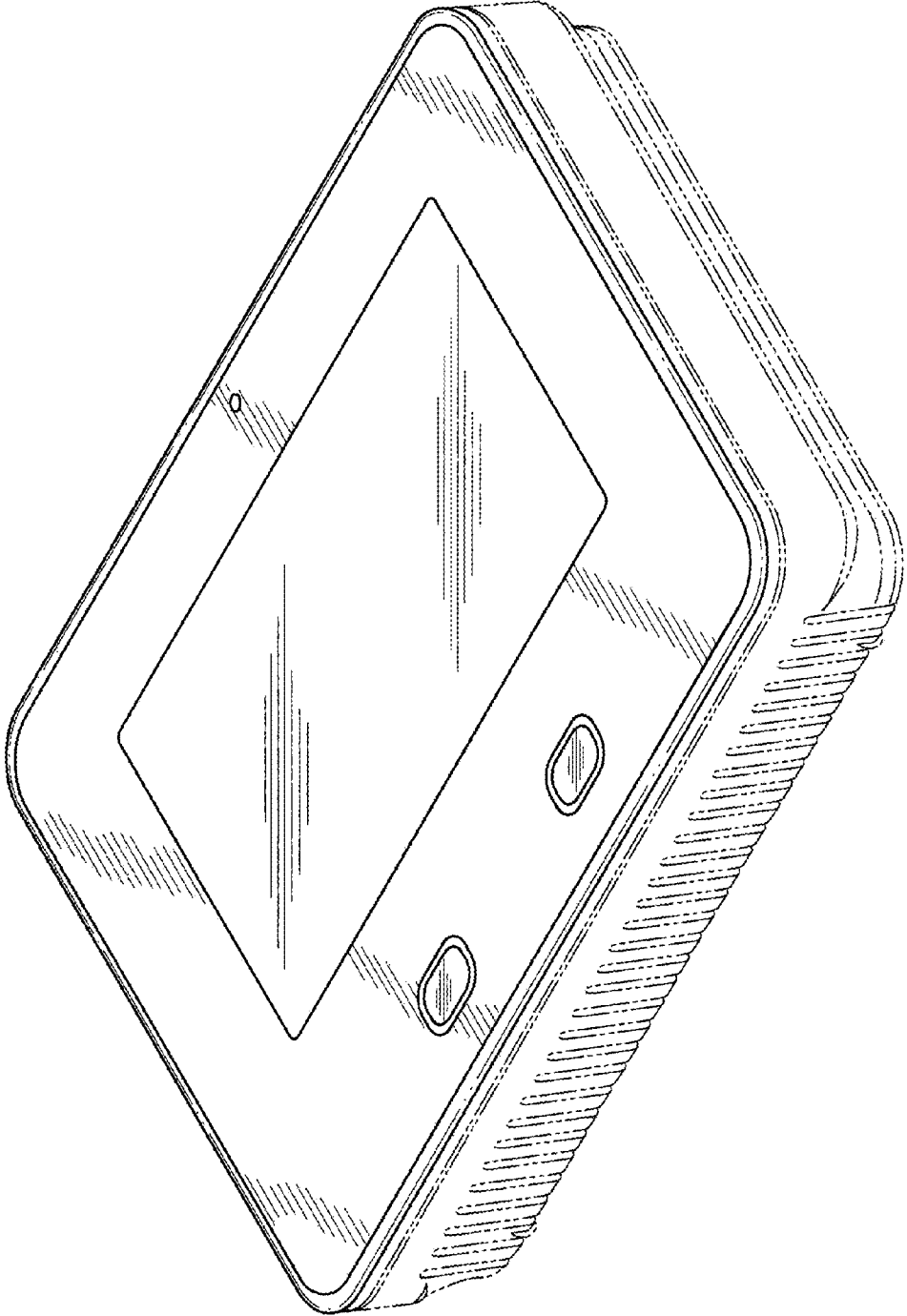
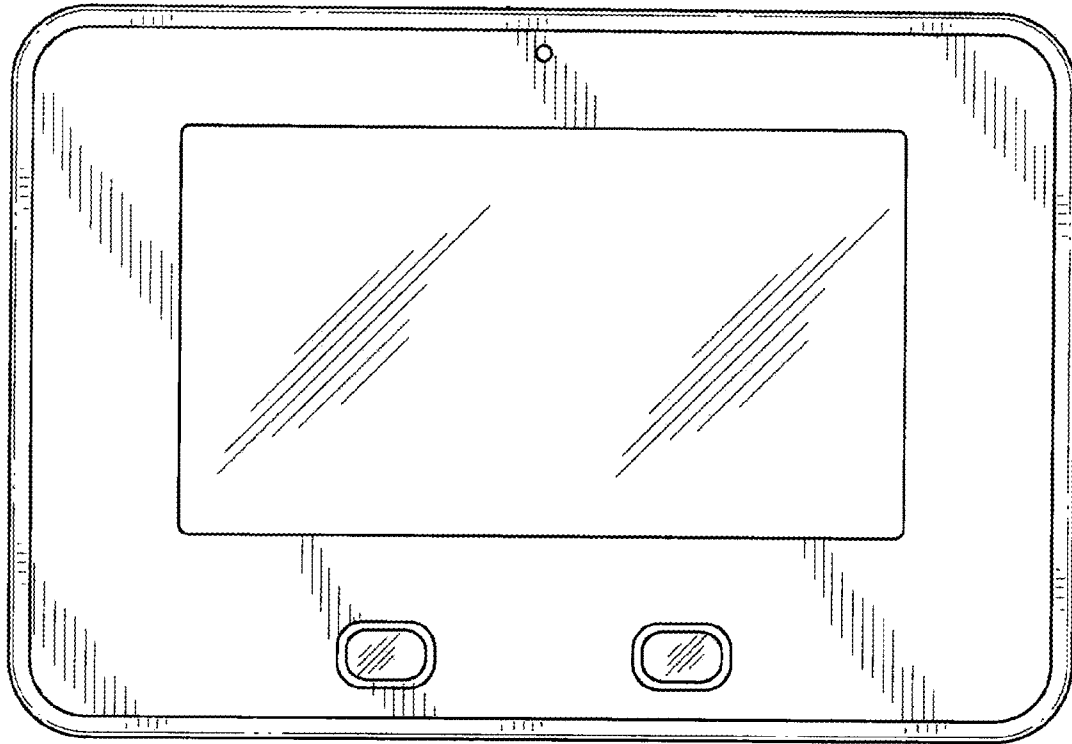
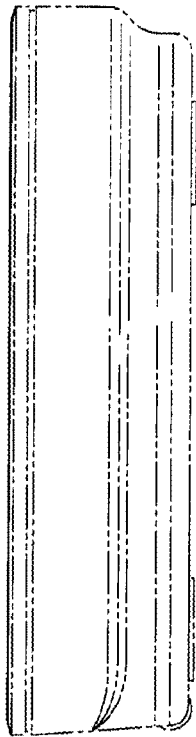


FIG. 1



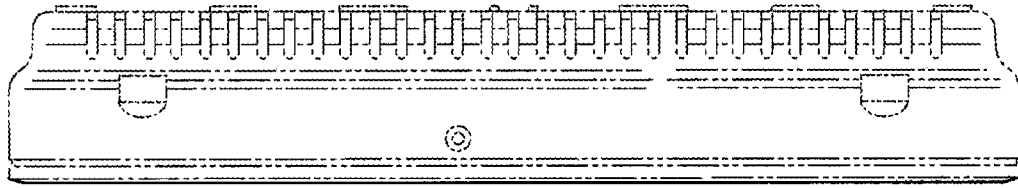
**FIG. 2**



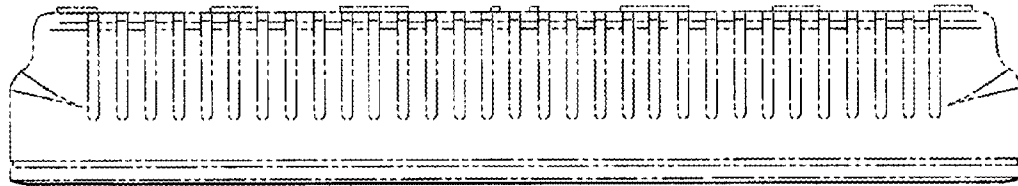
**FIG. 3**



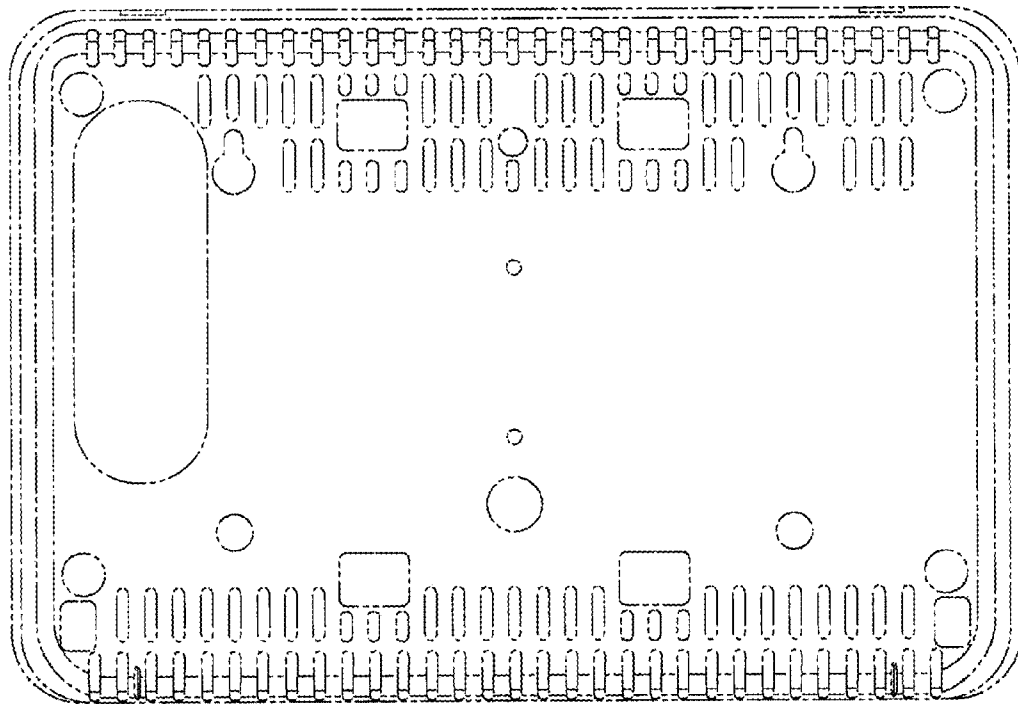
**FIG. 4**



**FIG. 5**



**FIG. 6**



**FIG. 7**