



US00D915518S

(12) **United States Design Patent**  
**White et al.**

(10) **Patent No.:** **US D915,518 S**

(45) **Date of Patent:** **\*\* Apr. 6, 2021**

(54) **SELF-PIERCING ELECTRONIC LABEL  
RECEIVER FLAG SIGN HOLDER**

(71) Applicant: **K-International, Inc.**, Waukegan, IL  
(US)

(72) Inventors: **Michael J. White**, Green Lake, WI  
(US); **Michael L. Sisko**, Kenosha, WI  
(US)

(73) Assignee: **K-International, Inc.**, Waukegan, IL  
(US)

(\*\*) Term: **15 Years**

(21) Appl. No.: **29/726,900**

(22) Filed: **Mar. 6, 2020**

**Related U.S. Application Data**

(63) Continuation of application No. 16/589,675, filed on  
Oct. 1, 2019.

(51) **LOC (13) Cl.** ..... **20-03**

(52) **U.S. Cl.**  
USPC ..... **D20/43; D20/44**

(58) **Field of Classification Search**  
USPC ..... D6/325, 328; D8/321, 349, 354, 355,  
D8/366, 371, 373, 380, 381, 400;  
D20/10, 42-44, 99; D25/119  
(Continued)

(56) **References Cited**

**U.S. PATENT DOCUMENTS**

6,035,569 A 3/2000 Nagel et al.  
6,119,990 A 9/2000 Kump et al.  
(Continued)

**OTHER PUBLICATIONS**

K International Catalog 16, p. 179—Part 107209, Published Oct.  
2018.

*Primary Examiner* — Mary Ann Calabrese

*Assistant Examiner* — Catherine Ho

(74) *Attorney, Agent, or Firm* — Schiff Hardin LLP

(57) **CLAIM**

The ornamental design for a self-piercing electronic label receiver flag sign holder, as shown and described.

**DESCRIPTION**

FIG. 1 is a front perspective view of a self-piercing electronic label receiver flag sign holder in an environment of use;

FIG. 2 is a front, top, right, side perspective view of a self-piercing electronic label receiver flag sign holder, showing our new design in an open position;

FIG. 3 is a perspective view taken from the back, bottom, left side thereof;

FIG. 4 is a front elevational view thereof;

FIG. 5 is a back elevational view thereof;

FIG. 6 is a side elevation view from the right-hand side thereof;

FIG. 7 is a side elevation view from the left-hand side thereof;

FIG. 8 is a top plan view thereof;

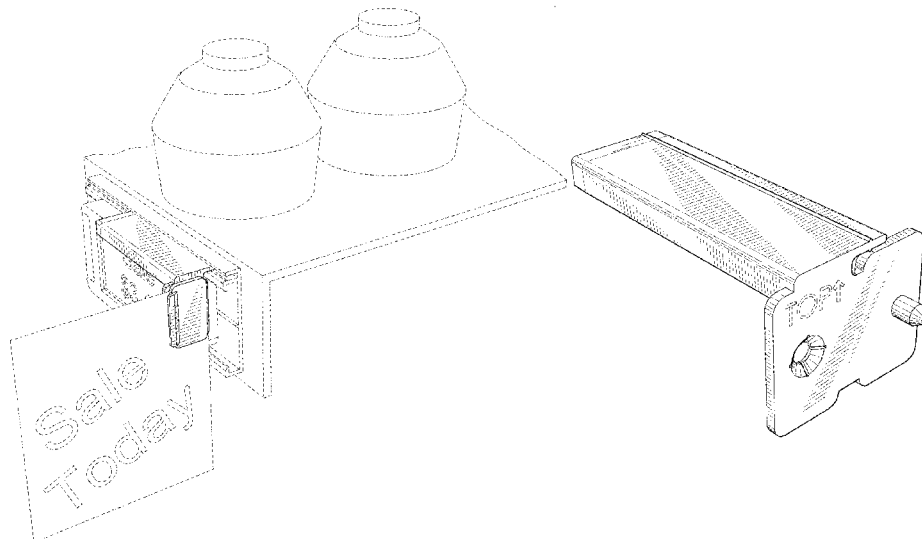
FIG. 9 is a bottom plan view thereof;

FIG. 10 is a top, front, right, side perspective view of a self-piercing electronic label receiver flag sign holder, showing our new design in a closed position; and,

FIG. 11 is an opposite perspective view thereof.

The broken lines in FIG. 1 illustrate the environment, including a flag sign and an electronic price label module in a holder mounted on a shelf, in which the self-piercing electronic label receiver flag sign holder may be used and form no part of the claimed design. The broken lines in FIGS. 2 and 6, including the text “top” and an upwardly pointing arrow, show features of the self-piercing electronic label receiver flag sign holder and form no part of the claimed design.

**1 Claim, 5 Drawing Sheets**



(58) **Field of Classification Search**

CPC ..... G09F 7/16; G09F 2007/122; G09F 13/00;  
 G09F 13/04; G09F 13/06; G09F 13/18;  
 G09F 13/22; G09F 13/24; G09F 13/26;  
 G09F 2013/1895; G09F 15/00; B29C  
 65/52; B29C 65/56; B23P 19/00; B32B  
 37/02; B32B 38/00

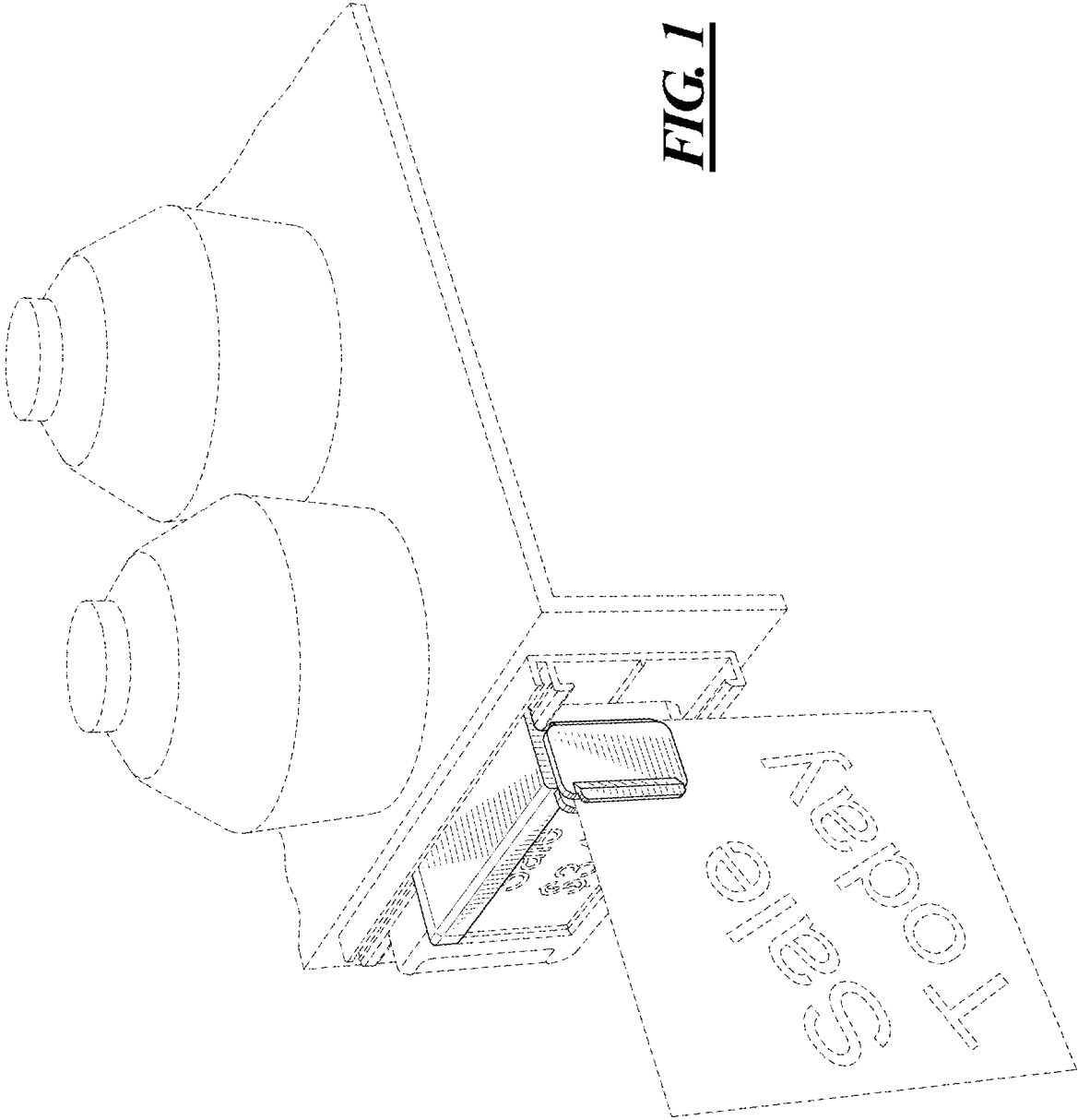
See application file for complete search history.

(56) **References Cited**

U.S. PATENT DOCUMENTS

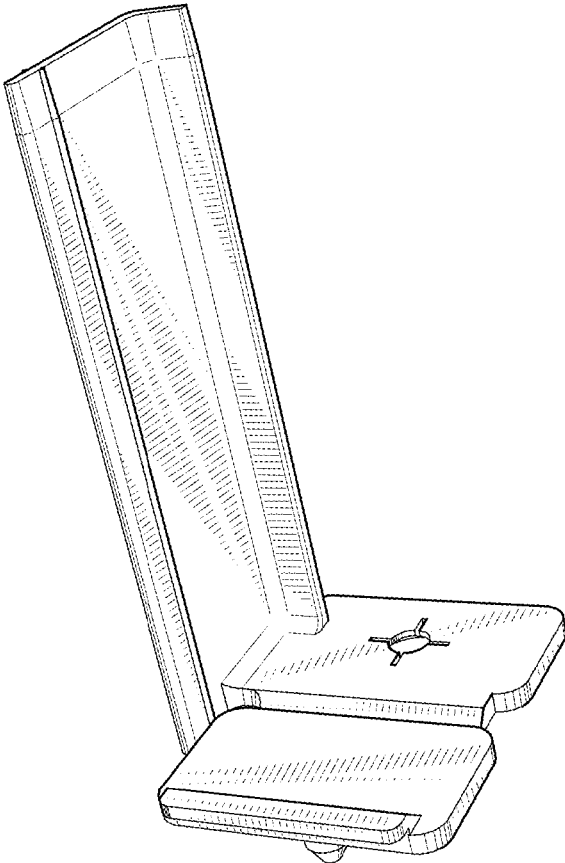
D453,798	S *	2/2002	Gray .....	D20/43
6,553,702	B1	4/2003	Bacnik	
6,935,062	B2	8/2005	Lowry et al.	
7,455,081	B2	11/2008	Bacnik	
D815,515	S *	4/2018	White .....	D8/380
D829,823	S *	10/2018	White .....	D20/43
D843,823	S *	3/2019	Bouchard .....	D8/382
D848,827	S *	5/2019	White .....	D8/381
D860,761	S *	9/2019	Howard .....	D8/354
D860,762	S *	9/2019	Gibson .....	D8/354
D860,769	S *	9/2019	Wokutch .....	D8/380
D863,048	S *	10/2019	White .....	D8/381
D897,193	S *	9/2020	Sokoly .....	D8/367
D902,702	S *	11/2020	Smith .....	D8/366
2002/0029505	A1 *	3/2002	Faneuf .....	G09F 3/204 40/658
2005/0081418	A1 *	4/2005	Fast .....	G09F 3/204 40/661
2005/0247780	A1 *	11/2005	Lowry .....	G09F 3/208 235/383
2009/0320267	A1 *	12/2009	Stewart .....	G06F 1/185 29/428

\* cited by examiner

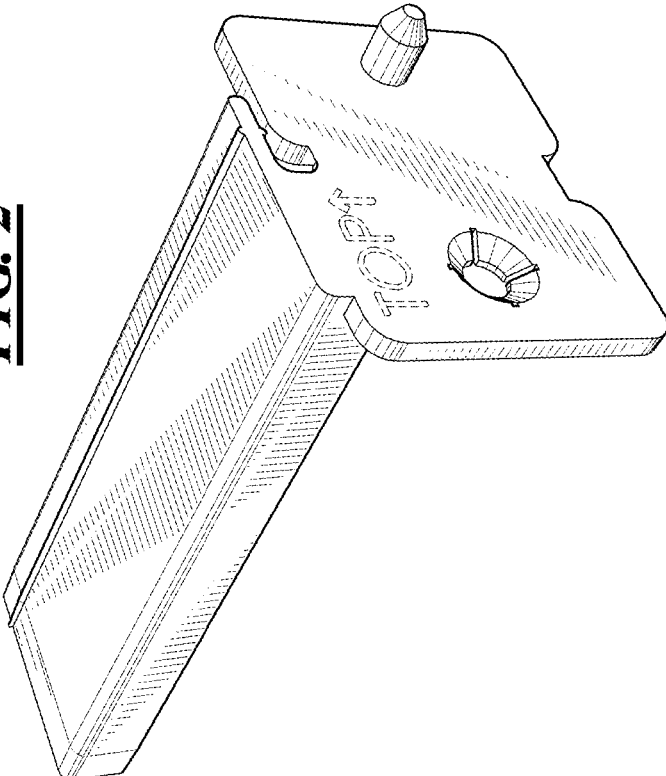


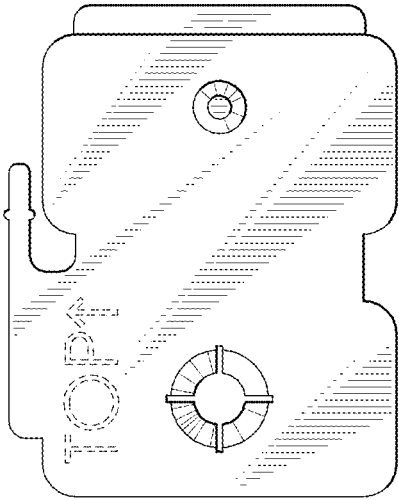
**FIG. 1**

**FIG. 3**

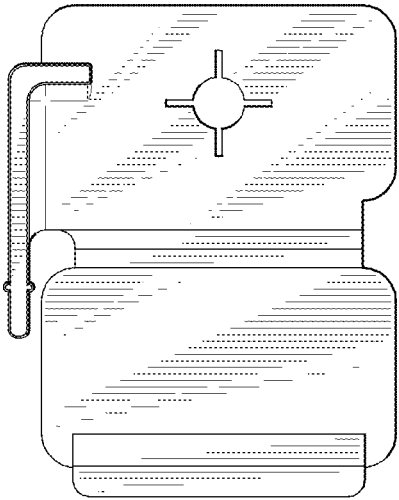


**FIG. 2**

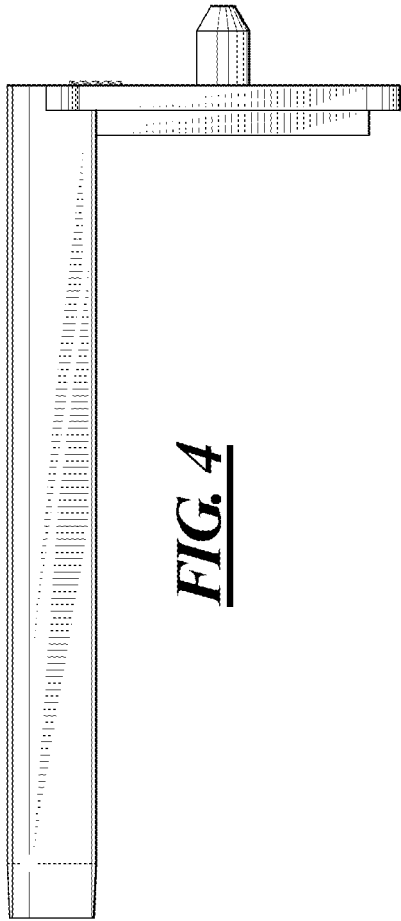




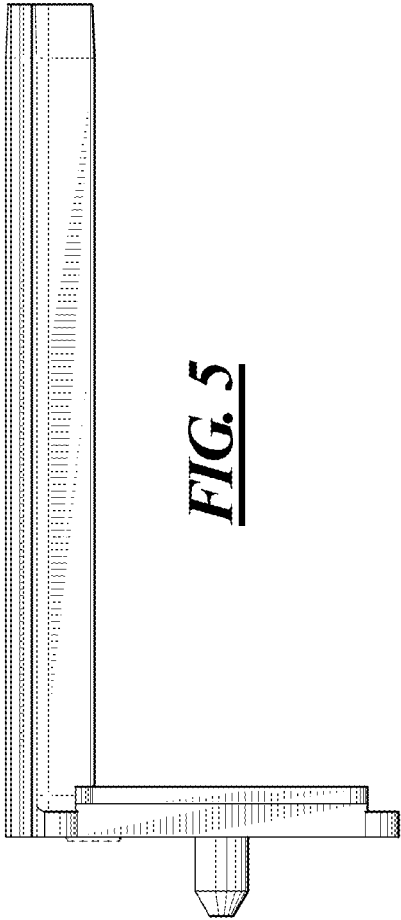
**FIG. 6**



**FIG. 7**

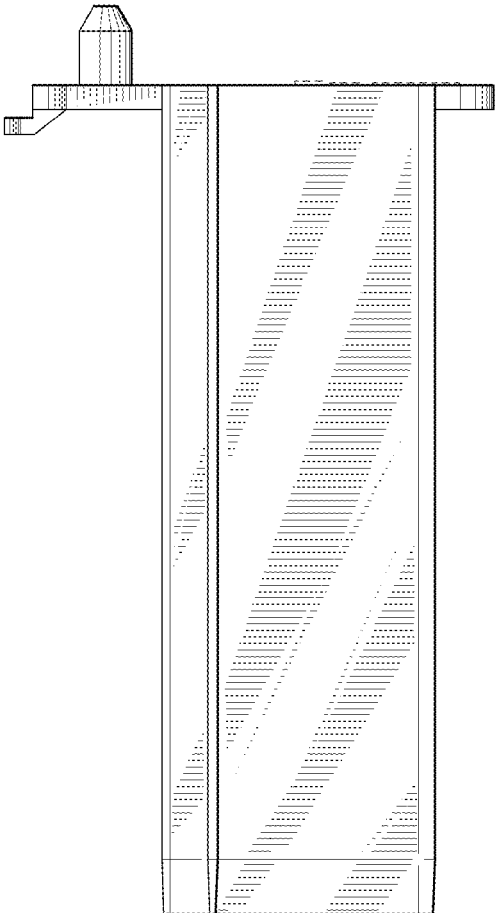


**FIG. 4**

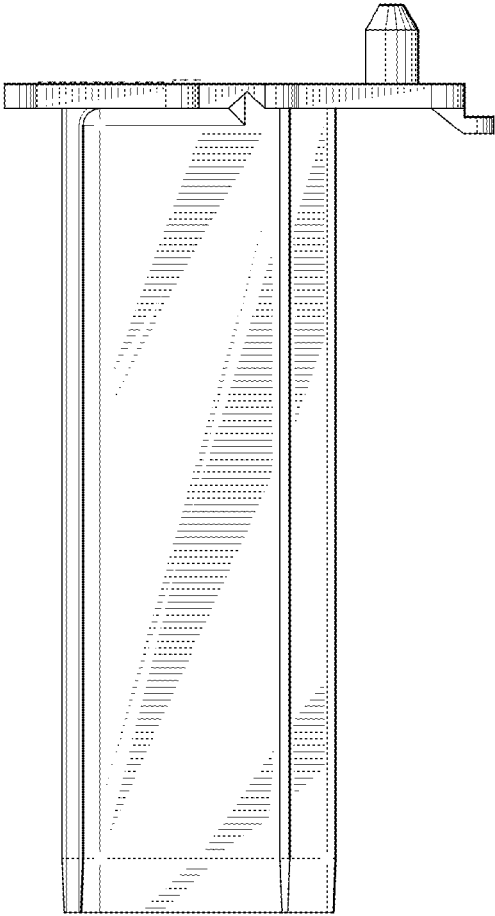


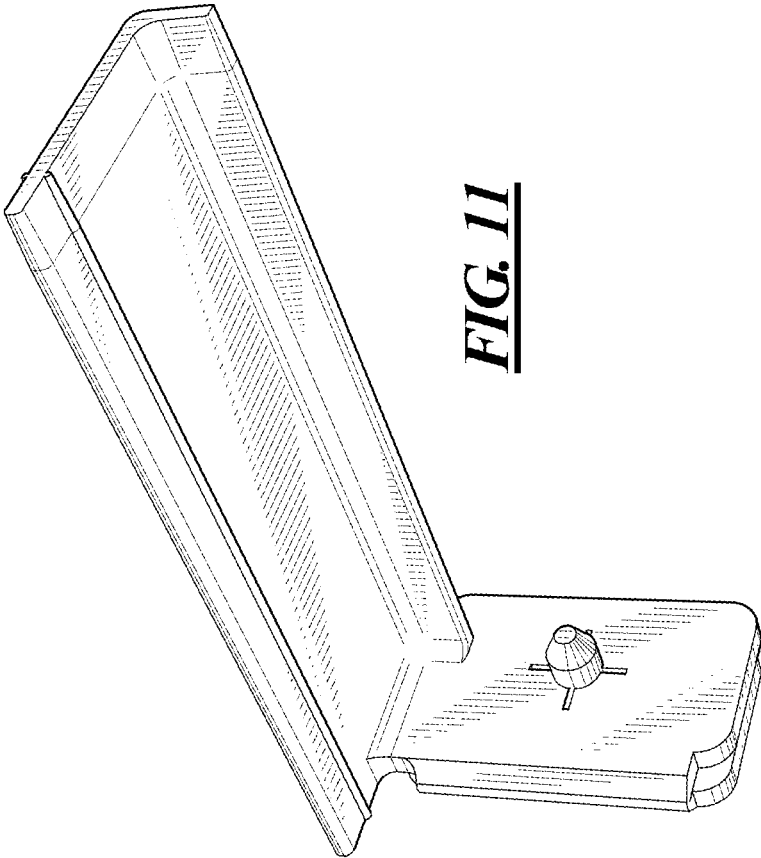
**FIG. 5**

**FIG. 8**

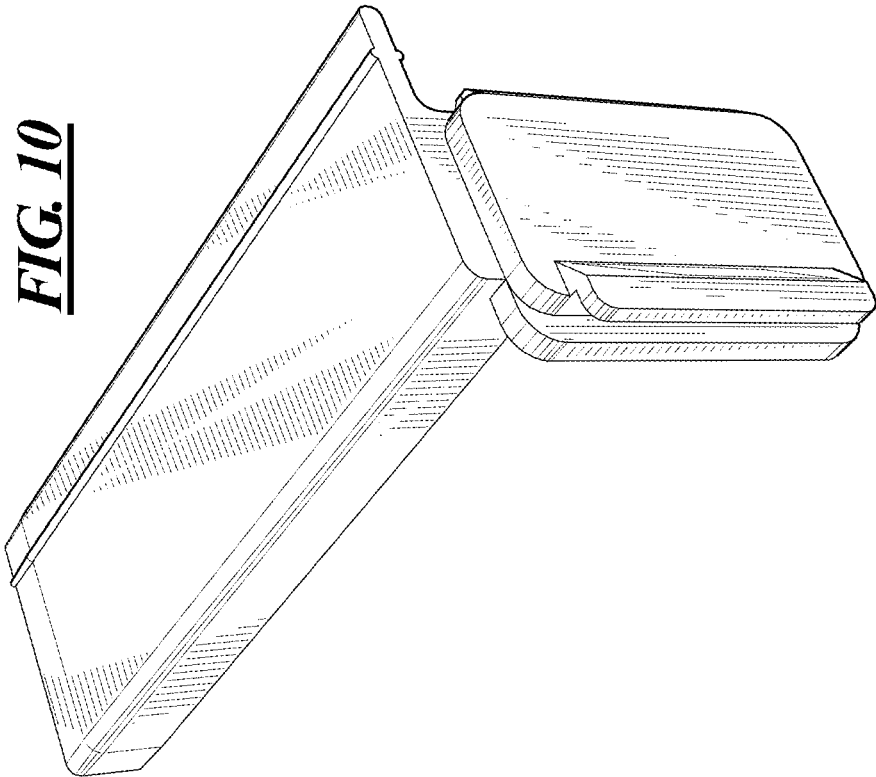


**FIG. 9**





**FIG. 11**



**FIG. 10**