



US00D415203S

**United States Patent** [19]  
**Sherman**

[11] **Patent Number: Des. 415,203**  
[45] **Date of Patent: \*\* Oct. 12, 1999**

[54] **PRESCRIPTION ORDER HOLDER**

[76] Inventor: **Stanley Sherman**, 4608 Westridge Pl.,  
Camp Springs, Md. 20348

[\*\*] Term: **14 Years**

[21] Appl. No.: **29/068,846**

[22] Filed: **Apr. 1, 1997**

[51] **LOC (6) Cl.** ..... **19-02**

[52] **U.S. Cl.** ..... **D19/90; D19/92; D6/467**

[58] **Field of Search** ..... D19/65, 75, 78,  
D19/86, 90, 91, 92, 95, 99, 100; D6/449,  
466, 467, 473, 475, 510, 511, 582, 407,  
596; 211/10, 11, 13.1, 41.1, 44, 45, 50,  
51, 55, 126.1, 126.13

[56] **References Cited**

**U.S. PATENT DOCUMENTS**

- D. 207,823 5/1967 Eskew ..... D19/467 X
- D. 213,737 4/1969 Kohles ..... D19/90

- 242,120 5/1881 Eastman ..... 211/13.1 X
- D. 251,254 3/1979 Tiedemann ..... D19/90
- D. 310,460 9/1990 Vergnano ..... D6/596 X
- D. 313,047 12/1990 Evenson ..... D19/99
- D. 337,619 7/1993 Evenson ..... D19/99
- D. 365,368 12/1995 Stoddard ..... D19/90 X
- D. 401,451 11/1998 Sherman ..... D6/467
- 1,725,702 8/1929 Cubberley ..... 211/184
- 2,620,928 12/1952 Brooks ..... 211/41.2

*Primary Examiner*—Martie K. Holtje

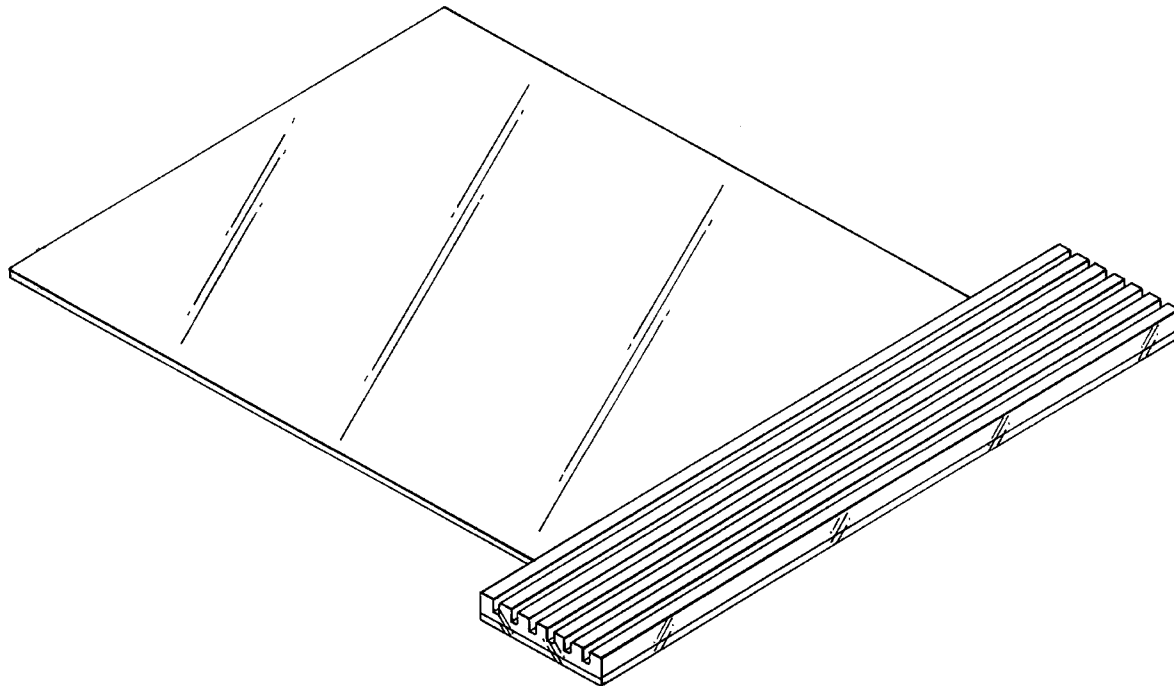
[57] **CLAIM**

The ornamental design for a prescription order holder, as shown and described.

**DESCRIPTION**

FIG. 1 is a perspective view of a prescription order holder showing my new design; FIG. 2 is a top plan view thereof; and, FIG. 3 is a side elevational view, the opposite side being a mirror image thereof.

**1 Claim, 2 Drawing Sheets**



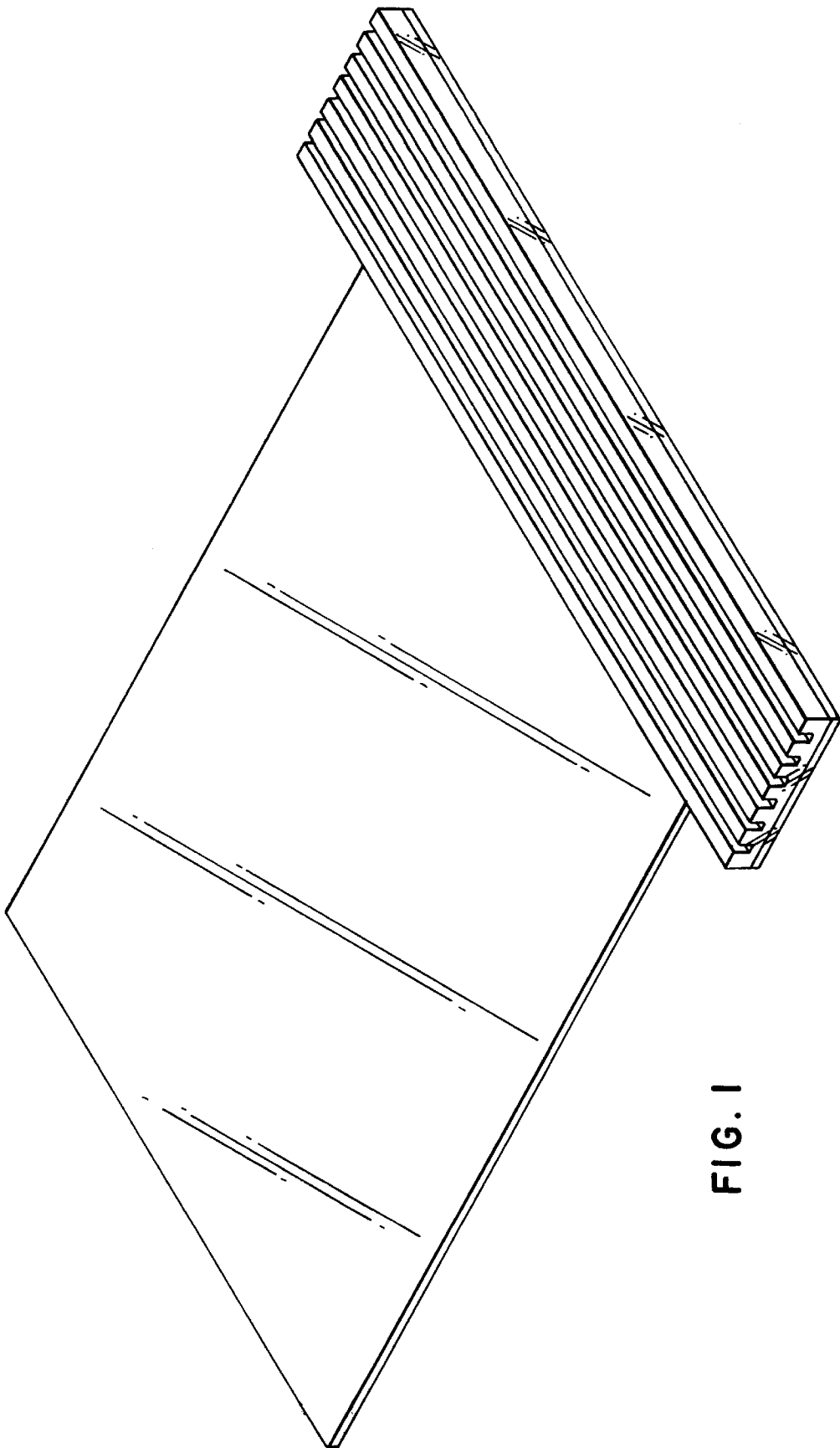


FIG. 1

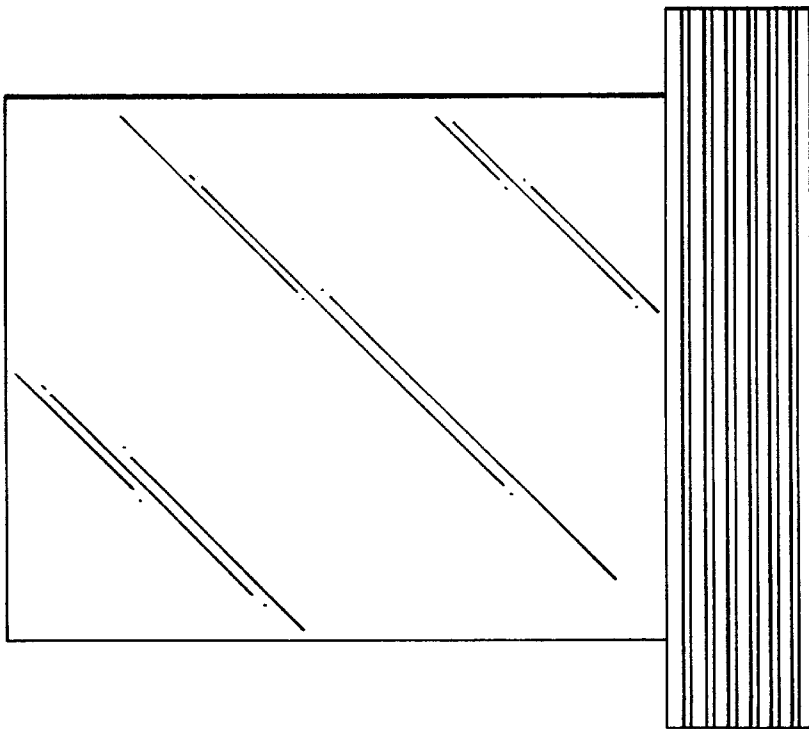


FIG. 2

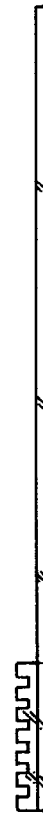


FIG. 3