



US00D643134S

(12) **United States Design Patent**
Wan et al.

(10) **Patent No.:** **US D643,134 S**

(45) **Date of Patent:** **** Aug. 9, 2011**

(54) **LED BULB**

(75) Inventors: **Yehua Wan**, Zhejiang (CN); **Fang Chen**, Zhejiang (CN); **Jinqiang Gu**, Zhejiang (CN)

(73) Assignee: **Jinxiang Shen**, Wuzhen Town, Tongxiang, Zhejiang (CN)

(**) Term: **14 Years**

(21) Appl. No.: **29/369,277**

(22) Filed: **Sep. 4, 2010**

(30) **Foreign Application Priority Data**

Jun. 9, 2010 (CN) 2010 3 0200751

(51) **LOC (9) Cl.** **26-04**

(52) **U.S. Cl.** **D26/2; D26/5**

(58) **Field of Classification Search** D26/1-5, D26/120, 138, 113; 313/313, 315, 316, 317, 313/318, 493; 315/52, 53, 56, 57, 58; 362/290, 362/294, 309; D13/180, 110; D21/505
See application file for complete search history.

(56) **References Cited**

U.S. PATENT DOCUMENTS

D245,187	S *	7/1977	Moriyama	D26/2
D263,508	S *	3/1982	Hubachek	D26/47
4,593,232	A *	6/1986	McEdwards	315/199
D299,556	S *	1/1989	Marshbanks	D26/96
D311,939	S *	11/1990	Andersen	D21/505
5,924,784	A *	7/1999	Chliwnyj et al.	362/234
6,064,155	A *	5/2000	Maya et al.	315/56
6,220,722	B1 *	4/2001	Begemann	362/231
6,499,860	B2 *	12/2002	Begemann	362/230
6,621,222	B1 *	9/2003	Hong	315/51

6,634,770	B2 *	10/2003	Cao	362/294
D504,732	S *	5/2005	Yang	D26/2
6,926,423	B2 *	8/2005	Bucher et al.	362/184
D576,317	S *	9/2008	Jensen	D26/5
D589,176	S *	3/2009	Huang et al.	D26/4
7,513,653	B1 *	4/2009	Liu et al.	362/294
D592,088	S *	5/2009	Miller	D10/114.8
7,585,090	B2 *	9/2009	Wu	362/249.02
D610,272	S *	2/2010	Guo et al.	D26/2
7,703,949	B2 *	4/2010	Lai	362/294
D618,738	S *	6/2010	Bodin et al.	D21/505
7,832,899	B2 *	11/2010	Zheng	362/249.02
7,883,242	B2 *	2/2011	Ng et al.	362/249.06
7,922,363	B2 *	4/2011	Yang et al.	362/294
2004/0114367	A1 *	6/2004	Li	362/248
2010/0207502	A1 *	8/2010	Cao et al.	313/46
2011/0109218	A1 *	5/2011	Giacomin	313/46
2011/0115414	A1 *	5/2011	Ku et al.	315/313

* cited by examiner

Primary Examiner — Jeffrey D Asch

(74) *Attorney, Agent, or Firm* — Global IP Services; Tianhua Gu

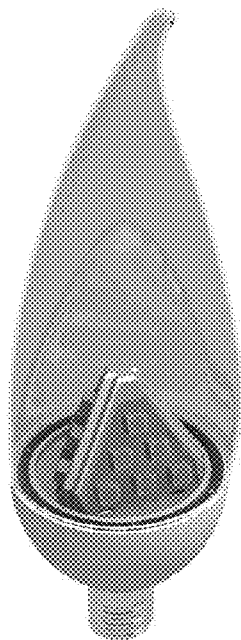
(57) **CLAIM**

The ornamental design for a LED bulb, as shown and described.

DESCRIPTION

FIG. 1 is a front perspective view of a LED bulb showing our new design;
FIG. 2 is a front view thereof;
FIG. 3 is a back view thereof;
FIG. 4 is a right side view thereof;
FIG. 5 is a left side view thereof;
FIG. 6 is a top view thereof; and,
FIG. 7 is a bottom view thereof.

1 Claim, 4 Drawing Sheets



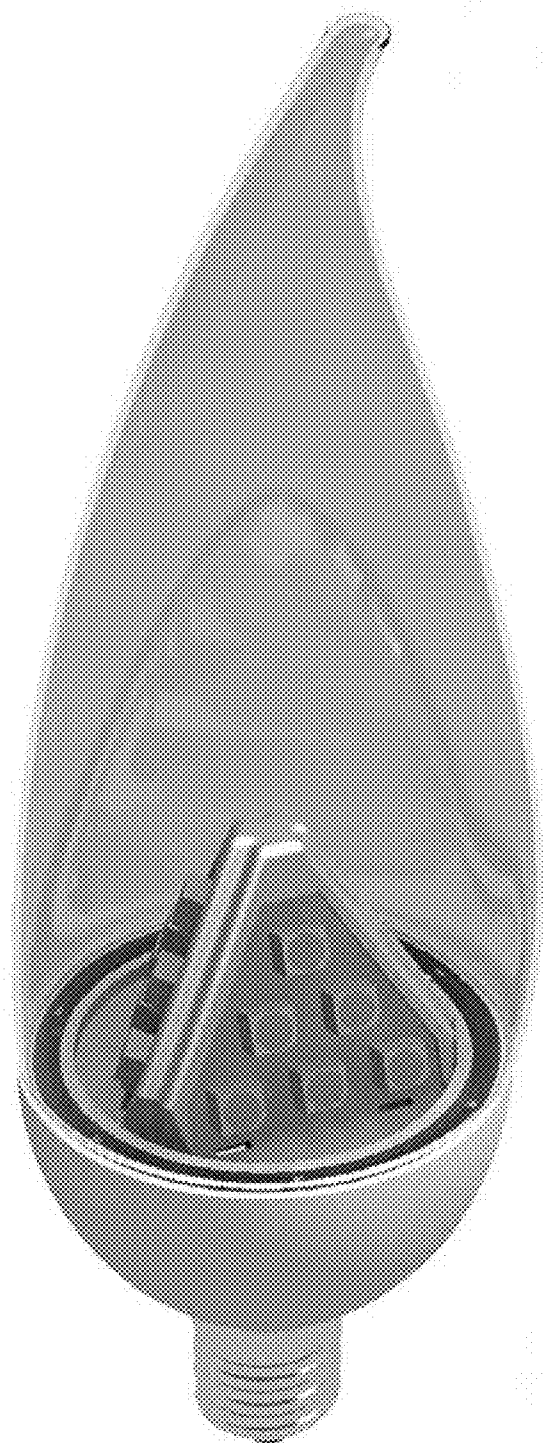


Fig. 1

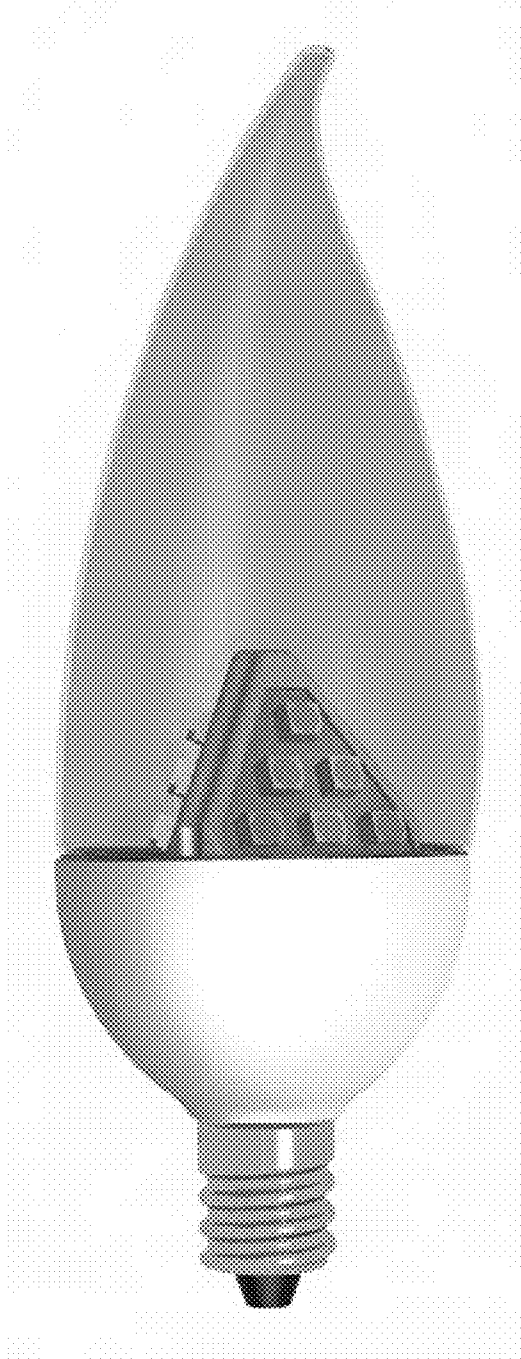


Fig. 2

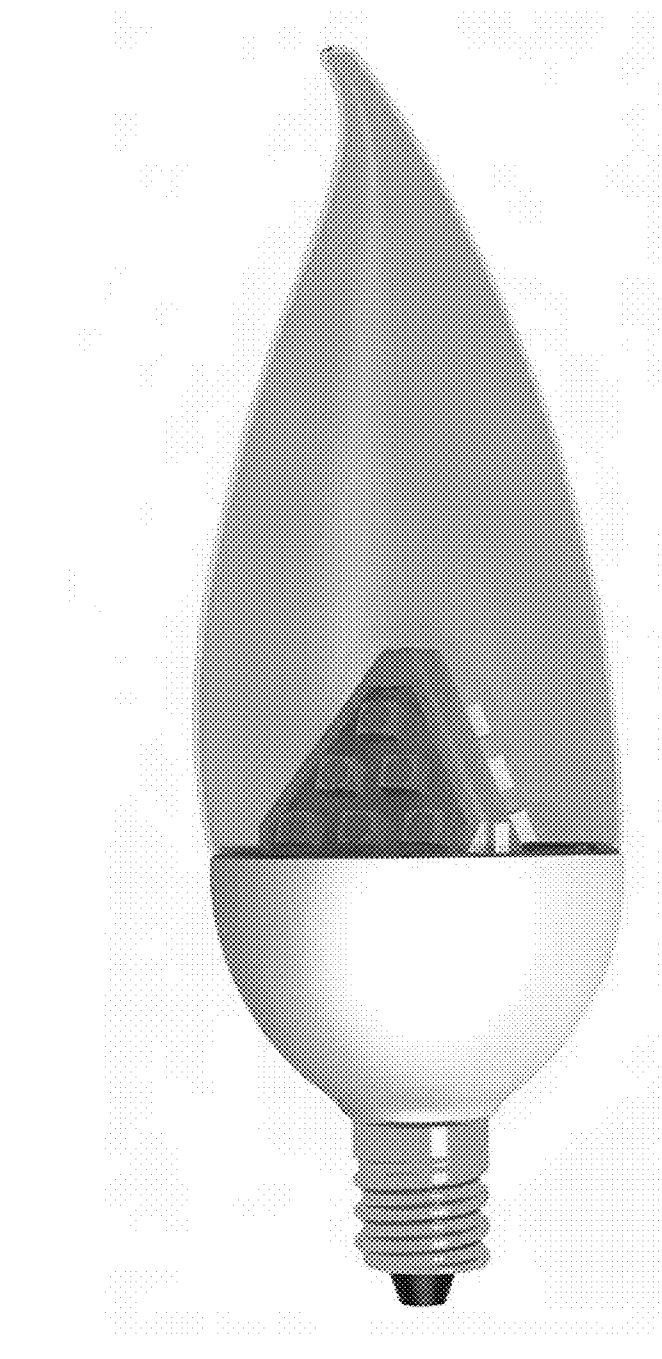


Fig. 3

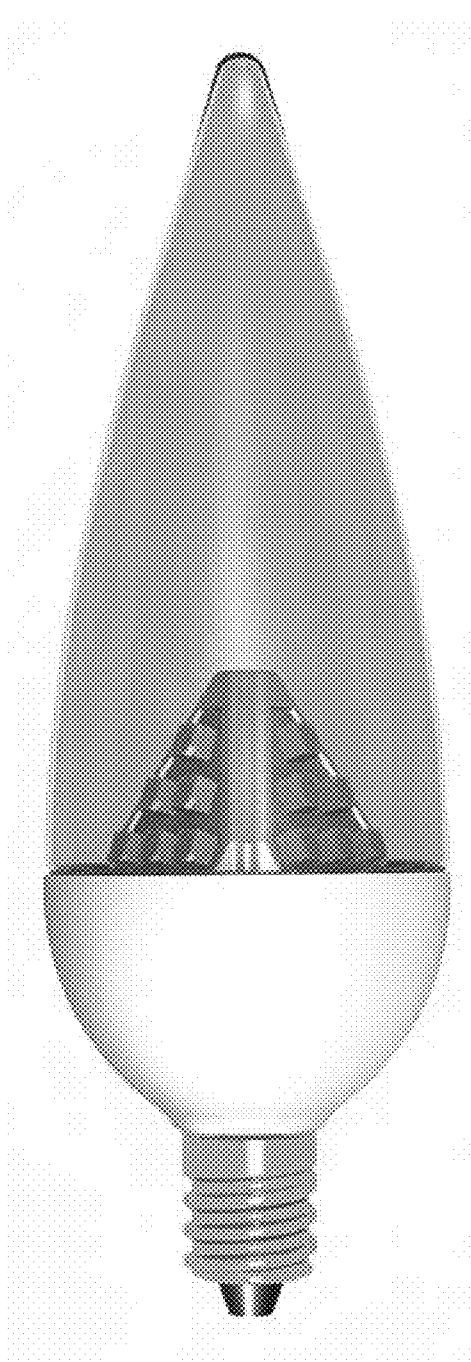


Fig. 4

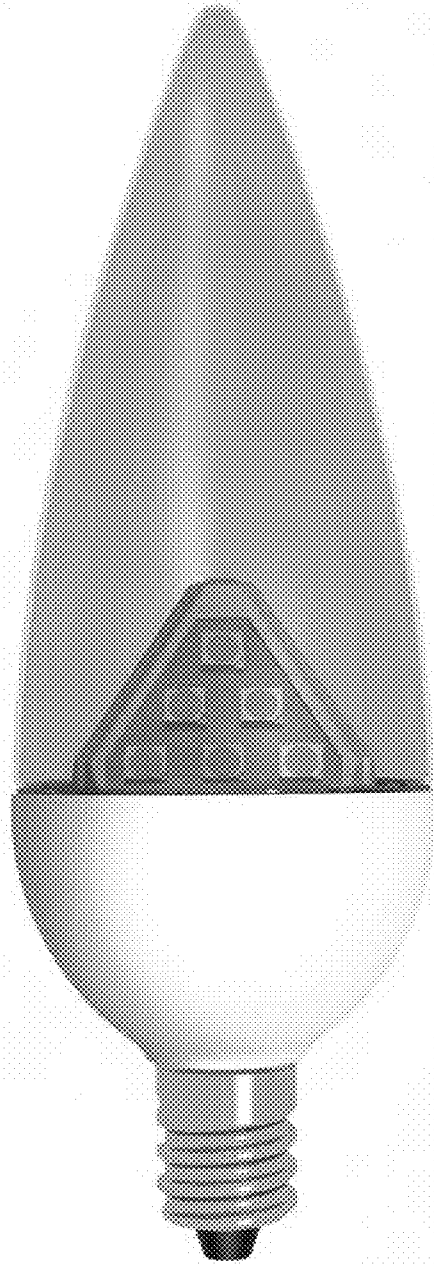


Fig. 5

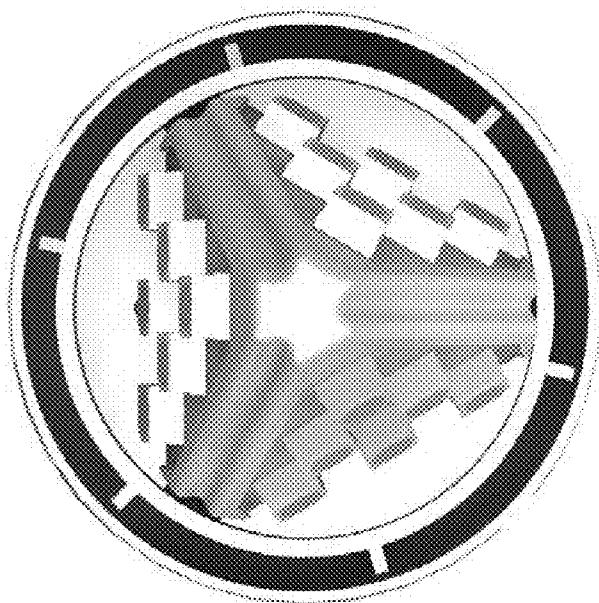


Fig. 6

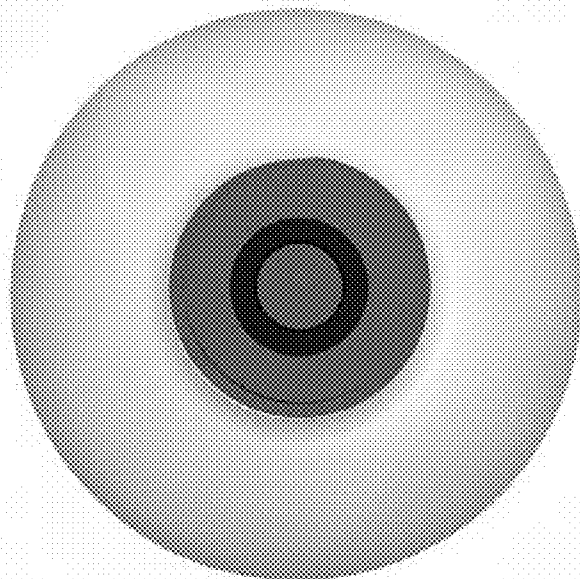


Fig. 7