



US00D465005S

(12) **United States Design Patent** (10) **Patent No.:** **US D465,005 S**  
**Vercoe** (45) **Date of Patent:** **\*\* Oct. 29, 2002**

(54) **LOCKING DISPLAY GUN RACK**

(57) **CLAIM**

(76) **Inventor:** **Todd L. Vercoe**, 425 Dubois St., Cheney, WA (US) 99004

The ornamental design for a locking display gun rack, as shown and described.

(\*\*) **Term:** **14 Years**

**DESCRIPTION**

(21) **Appl. No.:** **29/152,084**

FIG. 1 is a perspective front, top, and left side view of the locking display gun rack including a trigger lock and a barrel support.

(22) **Filed:** **Dec. 12, 2001**

FIG. 2 is a front view of the locking display gun rack including the trigger lock and the barrel support.

(51) **LOC (7) Cl.** ..... **22-01**

(52) **U.S. Cl.** ..... **D22/108**

FIG. 3 is a back view of the locking display gun rack including the trigger lock and the barrel support.

(58) **Field of Search** ..... D22/100, 108, D22/199; D6/552, 553; D21/573; 42/70.11, 94; 89/37.04; 248/551; 211/4, 8, 64, 70.8; 70/18, 19, 58, 61, 62; 224/569, 912, 913

FIG. 4 is a right side view of the trigger lock of the locking display gun rack.

(56) **References Cited**

FIG. 5 is a right side view of the barrel support of the locking display gun rack.

**U.S. PATENT DOCUMENTS**

FIG. 6 is a left side view of the trigger lock of the locking display gun rack.

D183,420 S	*	8/1958	Ferguson	.....	D6/552
3,995,742 A	*	12/1976	Austin et al.	.....	211/64 X
5,339,966 A	*	8/1994	Bastiaans	.....	211/4
5,344,032 A	*	9/1994	Ramsdell	.....	211/64
D386,304 S	*	11/1997	Hancock	.....	D22/108 X
5,934,112 A	*	8/1999	Rice et al.	.....	211/8 X

FIG. 7 is a left side view of the barrel support of the locking display gun rack.

\* cited by examiner

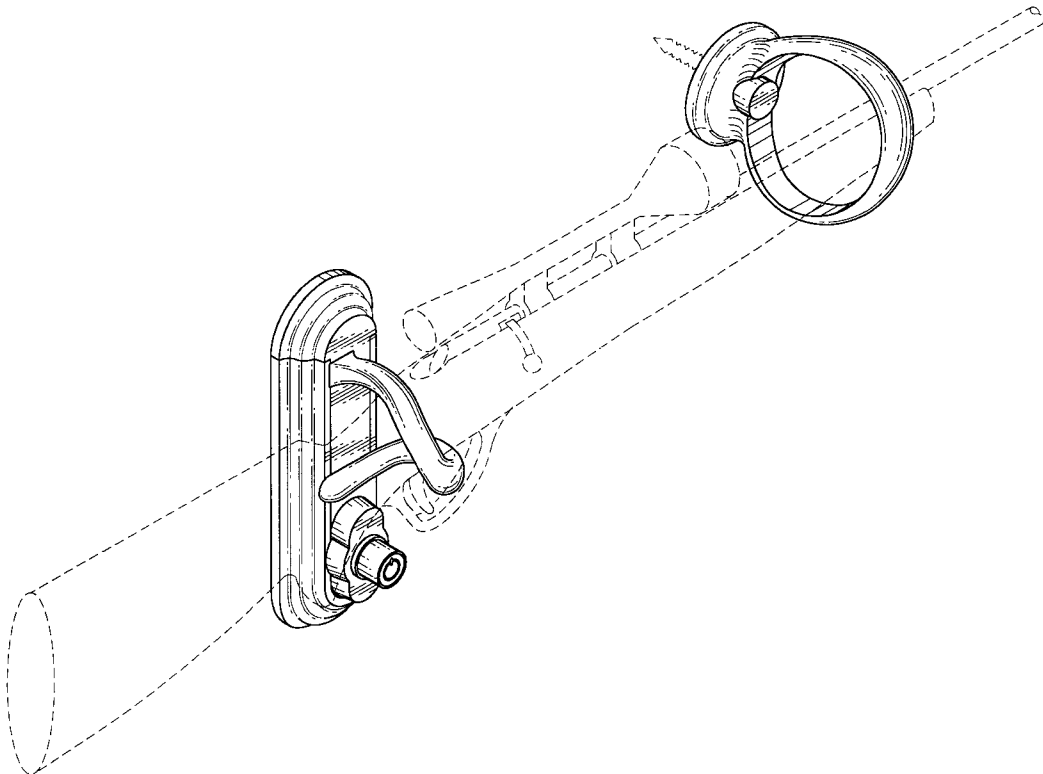
FIG. 8 is a top view of the locking display gun rack including the trigger lock and the barrel support; and,

*Primary Examiner*—Louis S. Zarfaz  
*Assistant Examiner*—Monica A. Weingart  
(74) *Attorney, Agent, or Firm*—Blakely Sokoloff Taylor & Zafman, LLP

FIG. 9 is a bottom view of the locking display gun rack including the trigger lock and the barrel support.

The broken line showing of a gun in FIG. 1, and an attached screw in FIGS. 1, 3, 5, and 7-9, is for illustrative purposes only and forms no part of the claimed design.

**1 Claim, 7 Drawing Sheets**



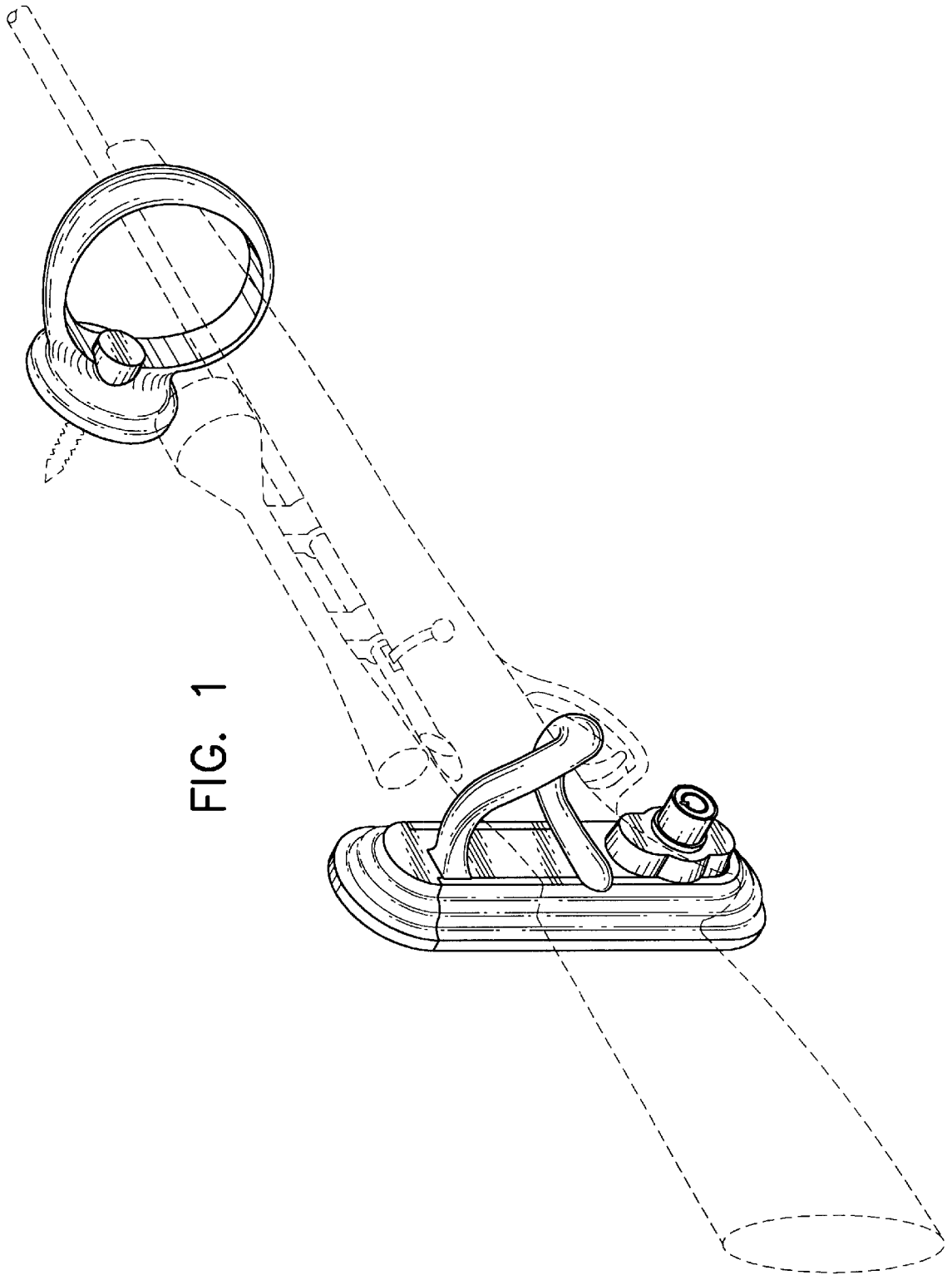


FIG. 1

FIG. 2

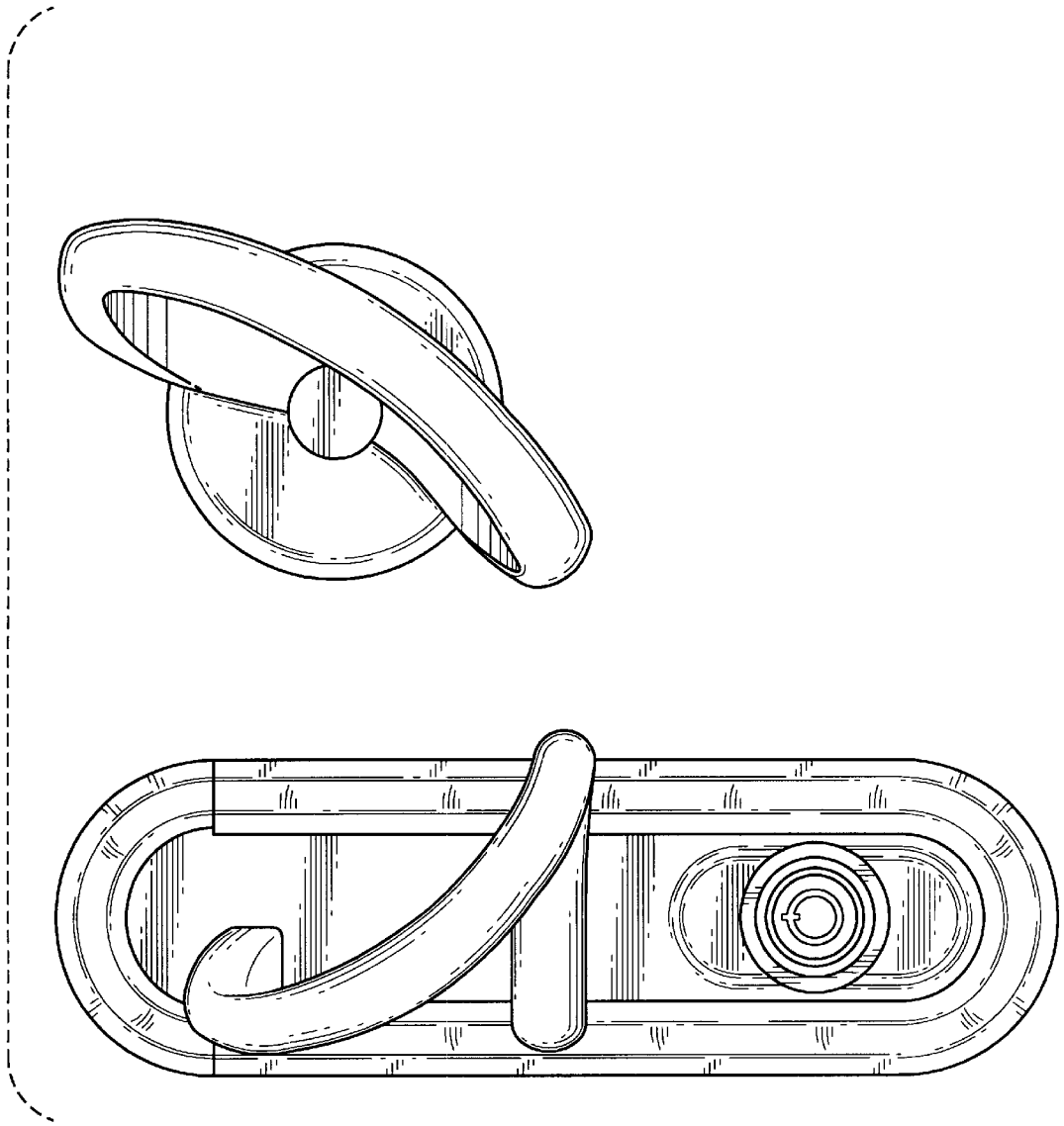


FIG. 3

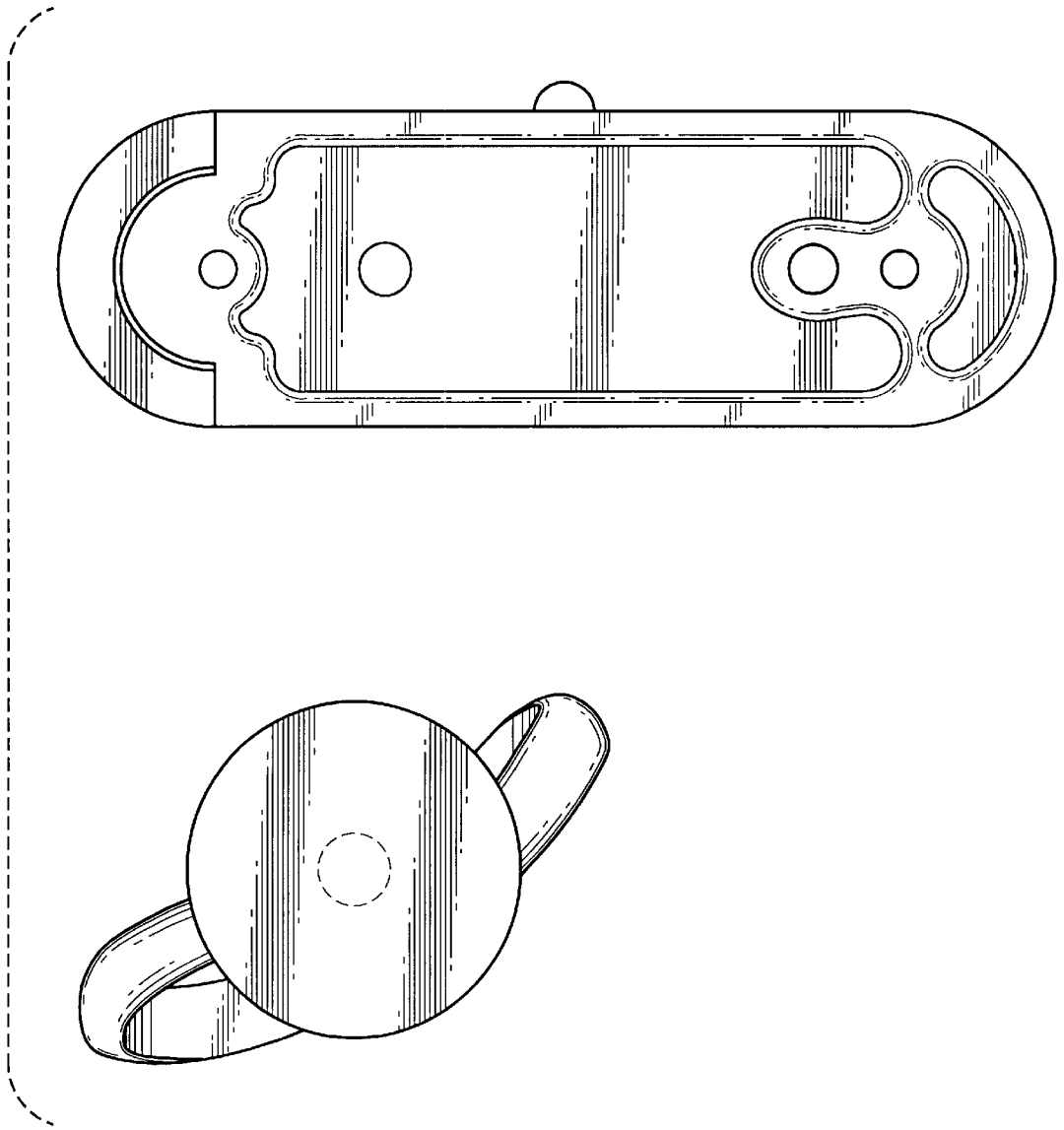


FIG. 4

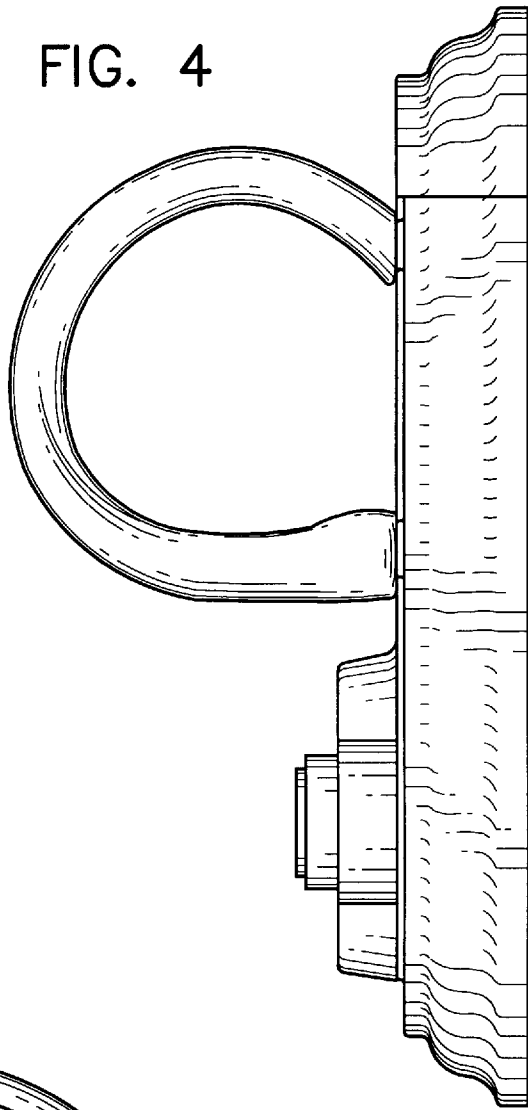
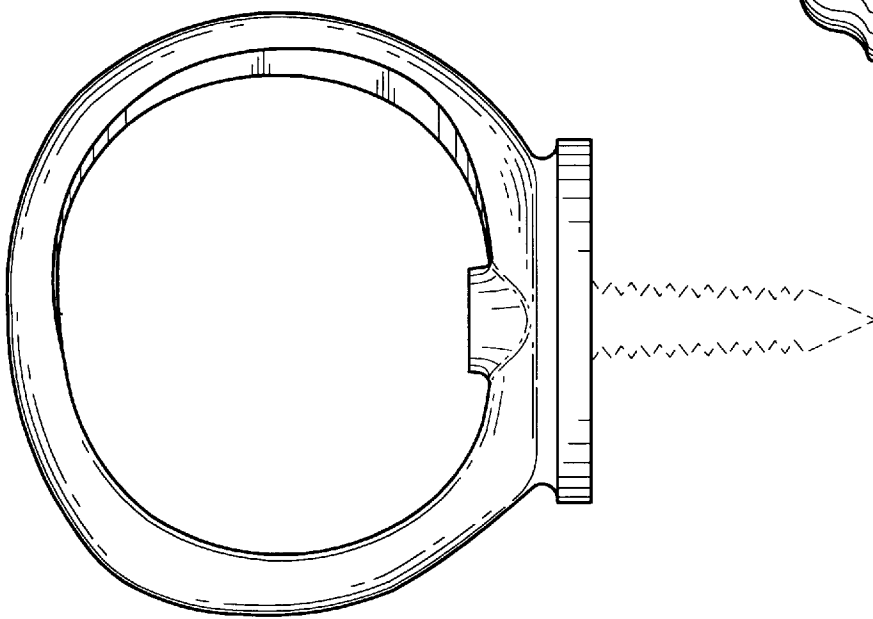
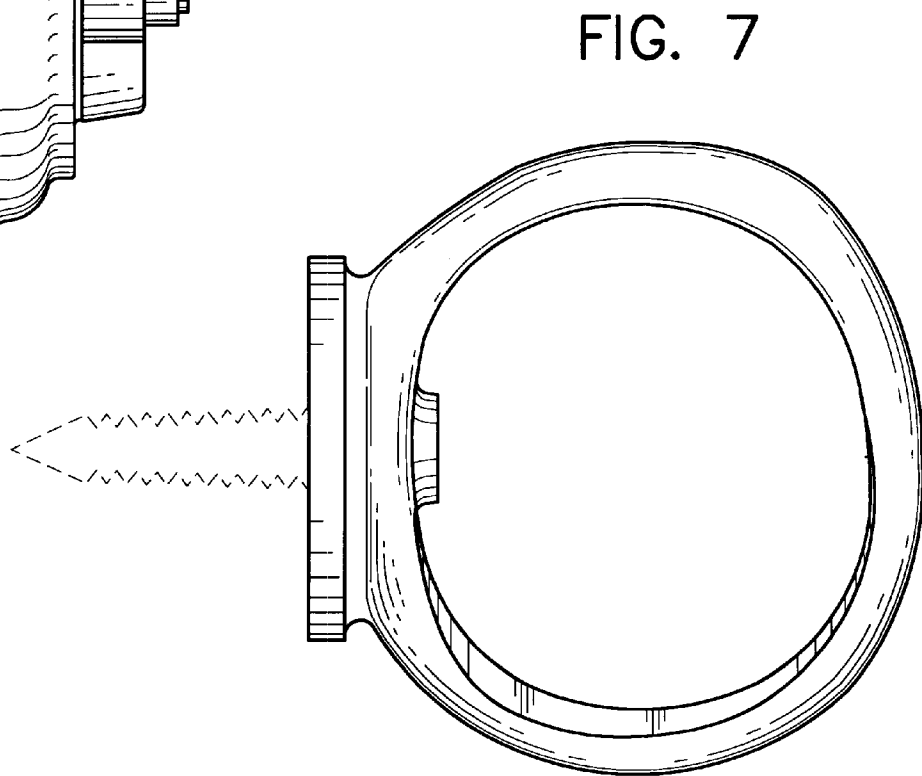
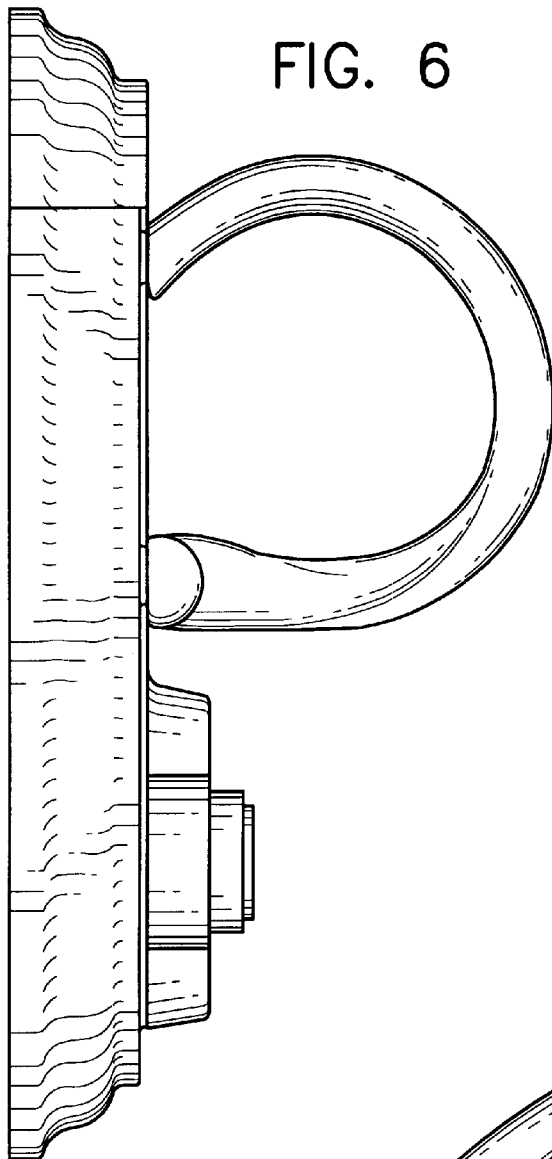


FIG. 5





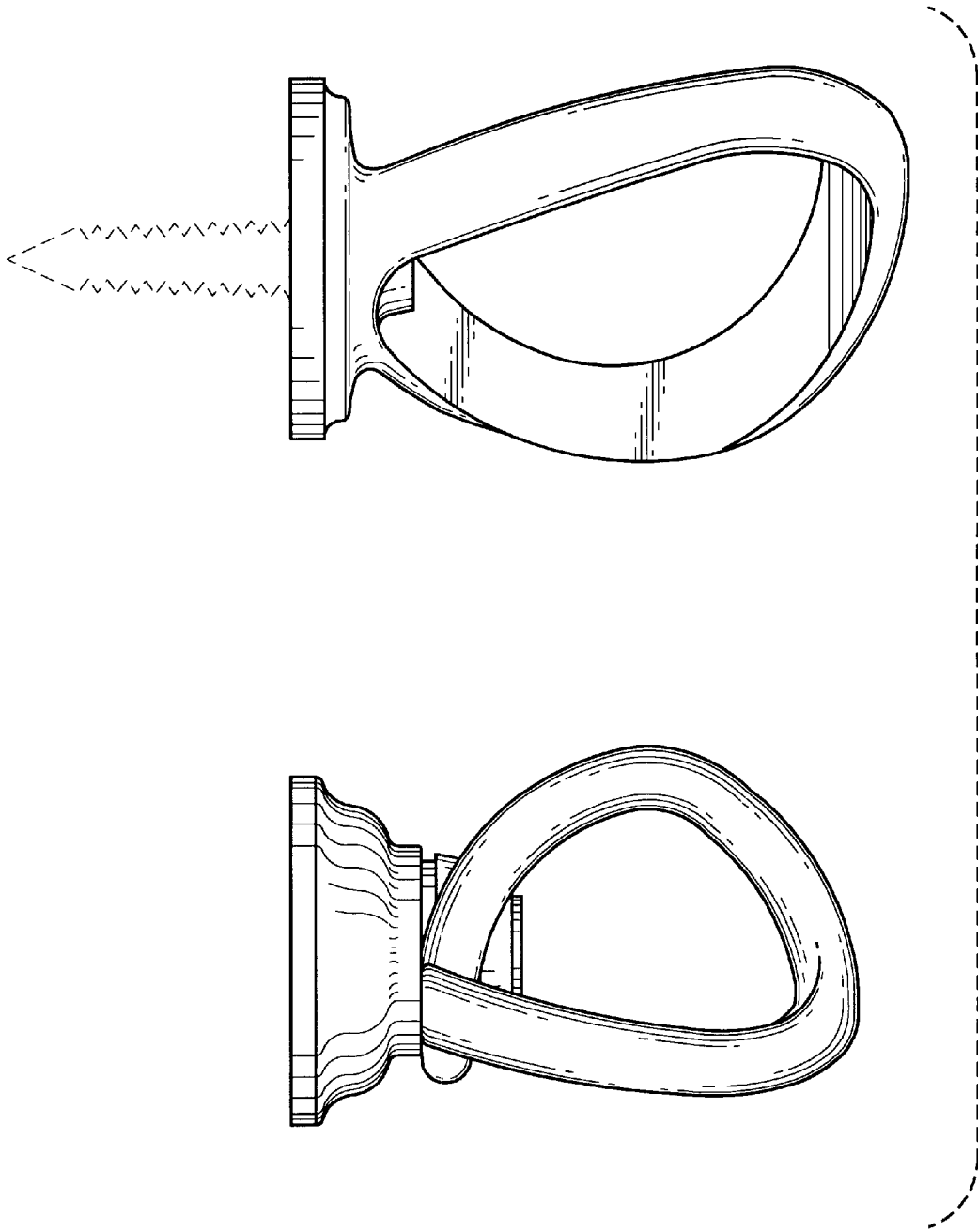


FIG. 8

FIG. 9

