



US00D403155S

# United States Patent [19] Liu

[11] Patent Number: **Des. 403,155**

[45] Date of Patent: **\*\*Dec. 29, 1998**

[54] **CYLINDRICAL CARRYING BAG**

[76] Inventor: **Angela W. Liu**, 330 Fifth Ave., Suite 504, New York, N.Y. 10001

[\*\*] Term: **14 Years**

[21] Appl. No.: **82,785**

[22] Filed: **Jan. 30, 1998**

[51] **LOC (6) Cl.** ..... **03-01**

[52] **U.S. Cl.** ..... **D3/289; D3/287; D3/301**

[58] **Field of Search** ..... D3/276, 284, 285, D3/286, 287, 288, 289, 301; 190/110, 111, 112, 113, 114, 115

[56] **References Cited**

### U.S. PATENT DOCUMENTS

D. 267,522	1/1983	Stark	.....	D3/289
D. 268,628	4/1983	Stark	.....	D3/286
D. 281,649	12/1985	Bomes et al.	.....	D3/287

D. 284,425	7/1986	Allen	.....	D3/287
D. 286,229	10/1986	Knoepke et al.	.....	D3/286
D. 307,811	5/1990	Branco	.....	D3/289
D. 349,404	8/1994	Poisson	.....	D3/276

*Primary Examiner*—Philip S. Hyder  
*Attorney, Agent, or Firm*—Myron Amer PC

[57] **CLAIM**

The ornamental design for a cylindrical carrying bag, as shown and described.

### DESCRIPTION

FIG. 1 is a top plan view of a cylindrical carrying bag showing my new design;

FIG. 2 is a bottom view thereof;

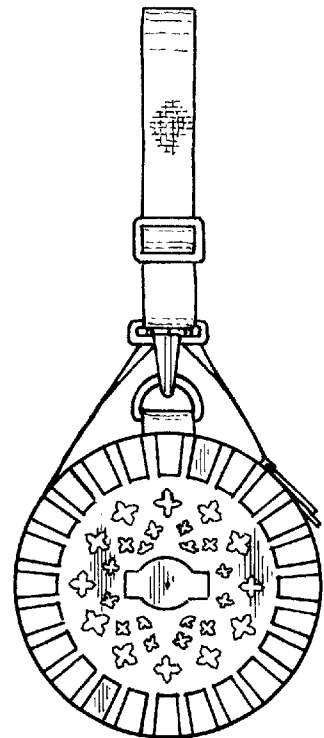
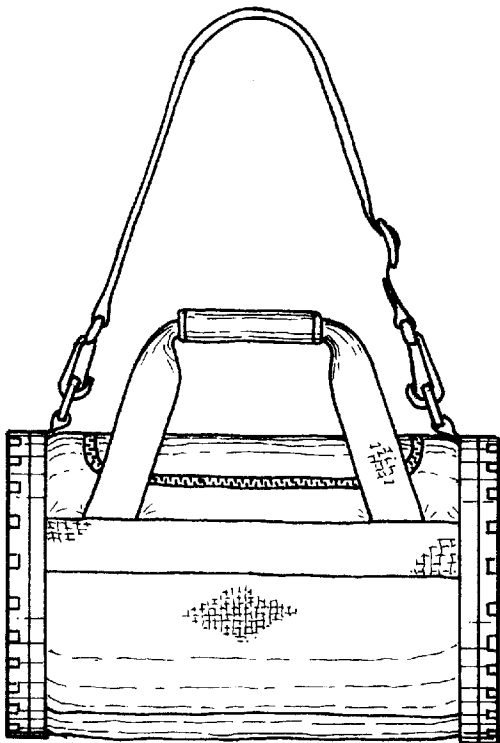
FIG. 3 is a front elevational view thereof;

FIG. 4 is a right side elevational view thereof;

FIG. 5 is a rear view thereof; and,

FIG. 6 is a left side elevational view thereof.

**1 Claim, 1 Drawing Sheet**



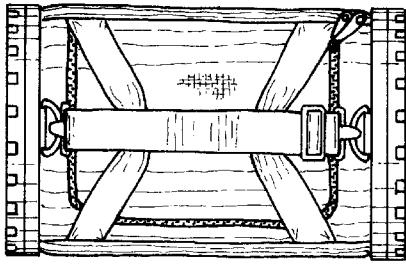


FIG. 1

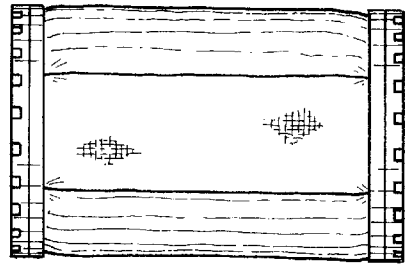


FIG. 2

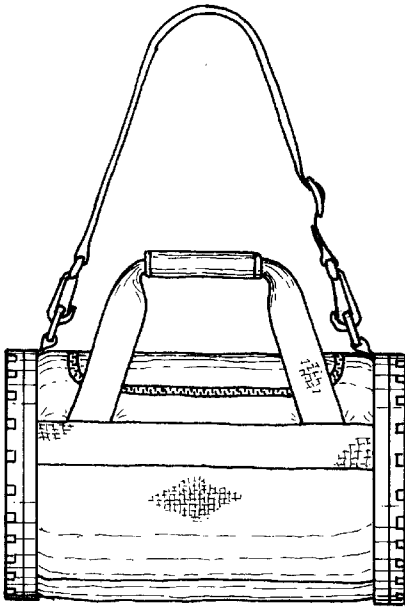


FIG. 3

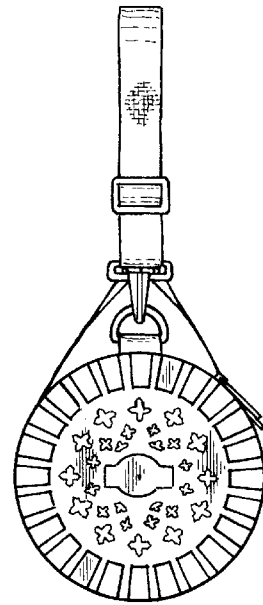


FIG. 4

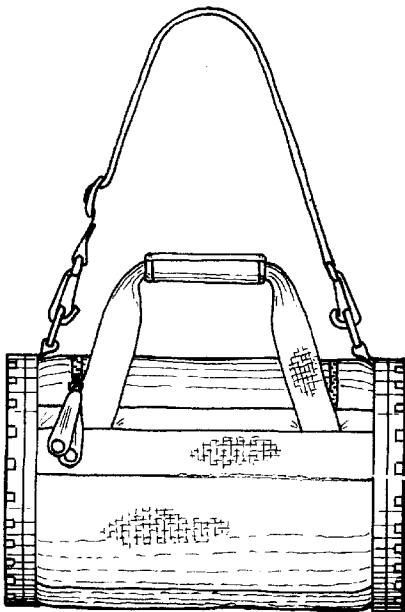


FIG. 5

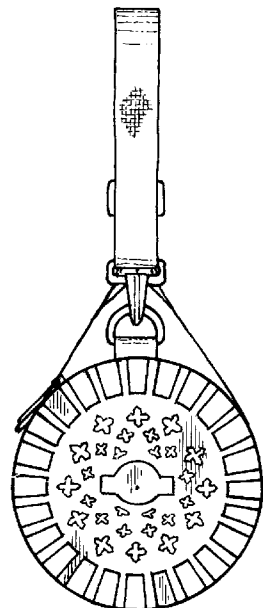


FIG. 6