

(19) World Intellectual Property Organization
International Bureau



(43) International Publication Date
15 May 2008 (15.05.2008)

PCT

(10) International Publication Number
WO 2008/057958 A3

- (51) International Patent Classification:
A61M 3/00 (2006.01)
- (21) International Application Number:
PCT/US2007/083366
- (22) International Filing Date:
1 November 2007 (01.11.2007)
- (25) Filing Language: English
- (26) Publication Language: English
- (30) Priority Data:
60/864,111 2 November 2006 (02.11.2006) US
11/931,538 31 October 2007 (31.10.2007) US
- (71) Applicant (for all designated States except US): **BEC-
TON, DICKINSON AND COMPANY** [US/US]; 1 Bec-
ton Drive, Franklin Lakes, New Jersey 07417 (US).
- (72) Inventors; and
- (75) Inventors/Applicants (for US only): **MCKINNON,
Austin Jason** [US/US]; 5618 Adeline Court, Herriman,
Utah 84065 (US). **CINDRICH, Christopher N.** [US/US];

1803 East Seven Oaks Lane, Draper, Utah 84020 (US).
CRAWFORD, Mark A. [US/US]; 1057 Pineridge
Road, Sandy, Utah 84094 (US). **HARDING, Weston F.**
[US/US]; 2421 North 910 West, Lehi, Utah 84043 (US).

(74) Agent: **METCALF, Craig**; Kirton & McConkie, 1800
Eagle Gate Tower, 60 East South Temple, Salt Lake City,
Utah 84111 (US).

(81) Designated States (unless otherwise indicated, for every
kind of national protection available): AE, AG, AL, AM,
AT, AU, AZ, BA, BB, BG, BH, BR, BW, BY, BZ, CA, CH,
CN, CO, CR, CU, CZ, DE, DK, DM, DO, DZ, EC, EE, EG,
ES, FI, GB, GD, GE, GH, GM, GT, HN, HR, HU, ID, IL,
IN, IS, JP, KE, KG, KM, KN, KP, KR, KZ, LA, LC, LK,
LR, LS, LT, LU, LY, MA, MD, ME, MG, MK, MN, MW,
MX, MY, MZ, NA, NG, NI, NO, NZ, OM, PG, PH, PL,
PT, RO, RS, RU, SC, SD, SE, SG, SK, SL, SM, SV, SY,
TJ, TM, TN, TR, TT, TZ, UA, UG, US, UZ, VC, VN, ZA,
ZM, ZW.

(84) Designated States (unless otherwise indicated, for every
kind of regional protection available): ARIPO (BW, GH,

[Continued on next page]

(54) Title: VASCULAR ACCESS DEVICE CHAMBER VENTING

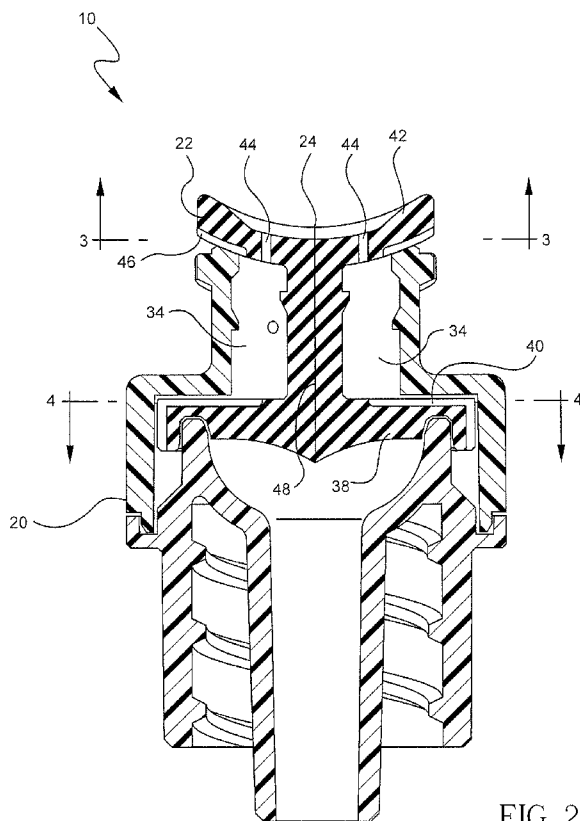


FIG. 2

(57) Abstract: A vascular access device within an external environment may include a body and a septum at least partially housed within the body, a gas chamber housed within the body and the septum, and a vent adjacent the body capable of facilitating gas transfer between the gas chamber and the external environment. A method of venting a gas chamber within a medical device includes transferring gas between the gas chamber and an external environment of the device through a vent that is adjacent the body of the device.

WO 2008/057958 A3



GM, KE, LS, MW, MZ, NA, SD, SL, SZ, TZ, UG, ZM, ZW), Eurasian (AM, AZ, BY, KG, KZ, MD, RU, TJ, TM), European (AT, BE, BG, CH, CY, CZ, DE, DK, EE, ES, FI, FR, GB, GR, HU, IE, IS, IT, LT, LU, LV, MC, MT, NL, PL, PT, RO, SE, SI, SK, TR), OAPI (BF, BJ, CF, CG, CI, CM, GA, GN, GQ, GW, ML, MR, NE, SN, TD, TG).

Published:

— *with international search report*

(88) Date of publication of the international search report:
7 May 2009

INTERNATIONAL SEARCH REPORT

International application No.
PCT/US 07/83366

A. CLASSIFICATION OF SUBJECT MATTER

IPC(8) - A61M 3/00 (2008.01)

USPC - 604/45

According to International Patent Classification (IPC) or to both national classification and IPC

B. FIELDS SEARCHED

Minimum documentation searched (classification system followed by classification symbols)

IPC(8) - A61M 3/00 (2008.01)

USPC - 604/45

Documentation searched other than minimum documentation to the extent that such documents are included in the fields searched
USPC - 604/27, 28, 48, 500, 506, 507, 508, 513, 86, 88, 93.01, 167.02, 167.04, 167.06, 201

Electronic data base consulted during the international search (name of data base and, where practicable, search terms used)

PubWEST(USPT,PGPB,EPAB,JPAB); USPTO Patent and Patent Application Full Text and Image Databases; Google Scholar

Terms: vascular access or IV access, septum, vent or channel or valve, gas or air, pressure, atmosphere or external or out, catheter, porous, non-compressible or rigid

C. DOCUMENTS CONSIDERED TO BE RELEVANT

| Category* | Citation of document, with indication, where appropriate, of the relevant passages | Relevant to claim No. |
|-----------|--|-----------------------|
| Y | US 2006/0155258 A1 (ROGERS et al.) 13 July 2006 (13.07.2006) para [0002], [0052], [0062]-[0063], [0066]-[0067], and Fig 3 and 4. | 1-20 |
| Y | US 2004/0199126 A1 (HARDING et al.) 7 October 2004 (07.10.2004) para [0002], [0076] and [0079]. | 1-20 |
| Y | US 2005/0226742 A1 (UNGER et al.) 13 October 2005 (13.10.2005) para [0093], [0097], [0100] and [0121]. | 2-5, 11-14 and 19 |
| Y | US 7,025,746 B2 (TAL) 11 April 2006 (11.04.2006) col 1, ln 11-14; and col 4, ln 38-42. | 7 |

Further documents are listed in the continuation of Box C.

* Special categories of cited documents:

"A" document defining the general state of the art which is not considered to be of particular relevance

"E" earlier application or patent but published on or after the international filing date

"L" document which may throw doubts on priority claim(s) or which is cited to establish the publication date of another citation or other special reason (as specified)

"O" document referring to an oral disclosure, use, exhibition or other means

"P" document published prior to the international filing date but later than the priority date claimed

"T" later document published after the international filing date or priority date and not in conflict with the application but cited to understand the principle or theory underlying the invention

"X" document of particular relevance; the claimed invention cannot be considered novel or cannot be considered to involve an inventive step when the document is taken alone

"Y" document of particular relevance; the claimed invention cannot be considered to involve an inventive step when the document is combined with one or more other such documents, such combination being obvious to a person skilled in the art

"&" document member of the same patent family

Date of the actual completion of the international search

10 March 2008 (10.03.2008)

Date of mailing of the international search report

15 APR 2008

Name and mailing address of the ISA/US

Mail Stop PCT, Attn: ISA/US, Commissioner for Patents
P.O. Box 1450, Alexandria, Virginia 22313-1450
Facsimile No. 571-273-3201

Authorized officer:

Lee W. Young

PCT Helpdesk: 571-272-4300
PCT OSP: 571-272-7774