



US00D424366S

**United States Patent** [19]  
**Blaise**

[11] **Patent Number: Des. 424,366**  
[45] **Date of Patent: \*\* May 9, 2000**

[54] **ELECTRIC DEEP FAT FRYER**  
[75] Inventor: **Nicolas Blaise**, Caen, France  
[73] Assignee: **Moulinex S.A.**, Cormelles-le-Royal, France  
[\*\*] Term: **14 Years**  
[21] Appl. No.: **29/103,529**  
[22] Filed: **Apr. 15, 1999**  
[30] **Foreign Application Priority Data**  
Oct. 15, 1998 [FR] France ..... 98/6001  
[51] **LOC (7) Cl.** ..... **07-02**  
[52] **U.S. Cl.** ..... **D7/354**  
[58] **Field of Search** ..... D7/323, 354, 350;  
126/19 M, 21 A, 21 R, 275 R, 275 E; 99/341,  
348, 359, 467, 468; 219/391, 400, 402

D. 374,588 10/1996 Federico ..... D7/354  
D. 397,579 9/1998 Wu Chang ..... D7/350

*Primary Examiner*—Caron D. Veynar  
*Attorney, Agent, or Firm*—Young & Thompson

[57] **CLAIM**

The ornamental design for an electric deep fat fryer, as shown.

**DESCRIPTION**

FIG. 1 is a top, front and side perspective view of an electric deep fat fryer, showing my new design;  
FIG. 2 is a front elevational view thereof;  
FIG. 3 is a side elevational view thereof from the left of FIG. 2;  
FIG. 4 is a side elevational view thereof from the right of FIG. 2;  
FIG. 5 is a rear elevational view thereof;  
FIG. 6 is a top plan view thereof; and,  
FIG. 7 is a bottom plan view thereof.

[56] **References Cited**  
**U.S. PATENT DOCUMENTS**  
D. 347,353 5/1994 Piret et al. .... D7/354

**1 Claim, 7 Drawing Sheets**

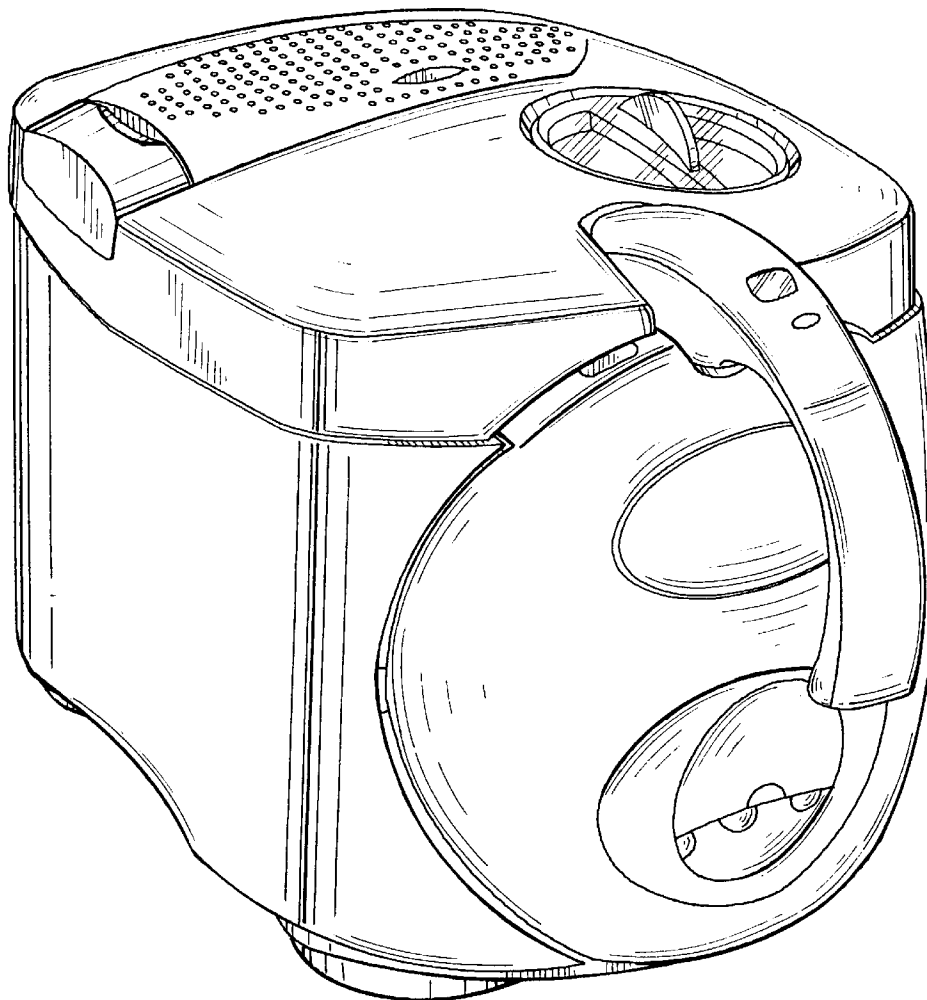


FIG. 1

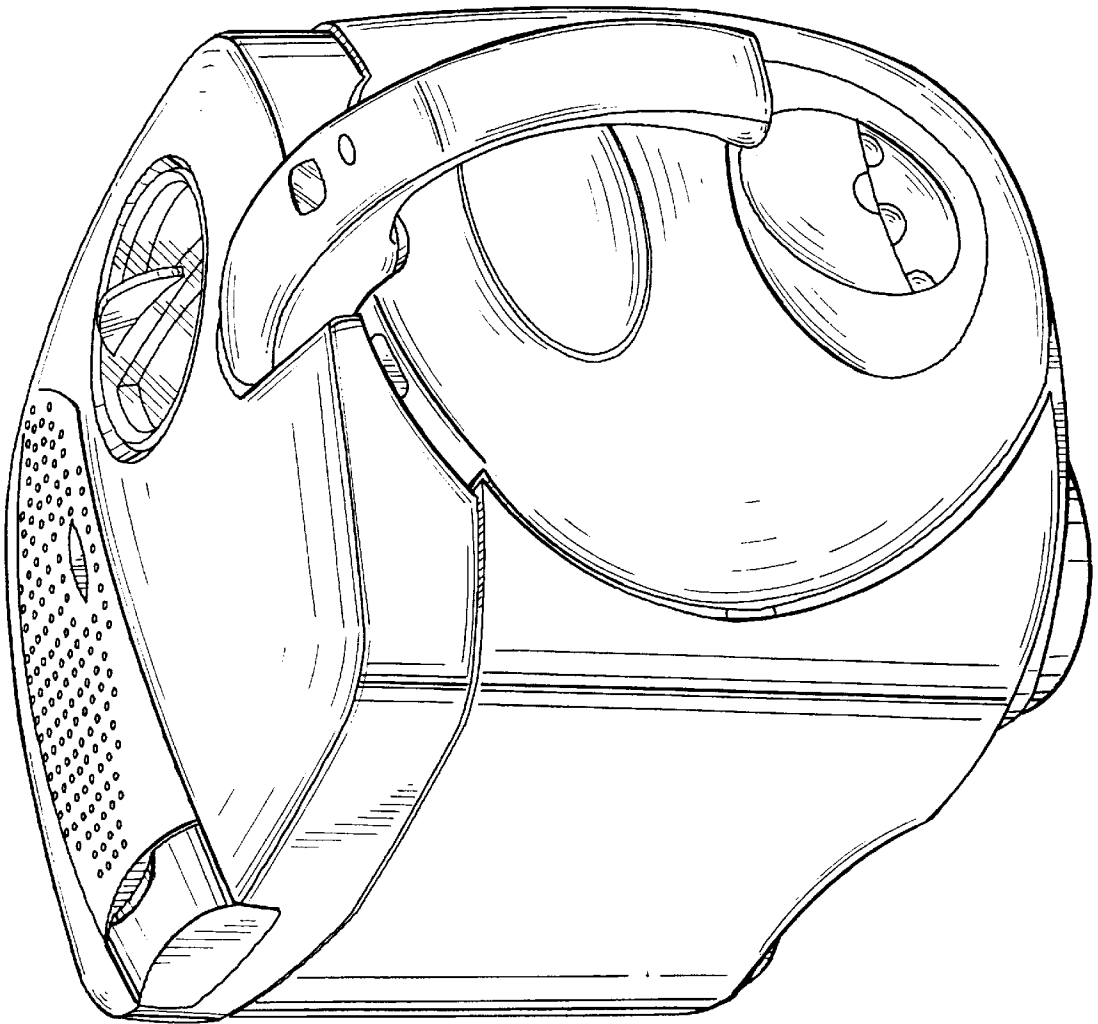


FIG. 2

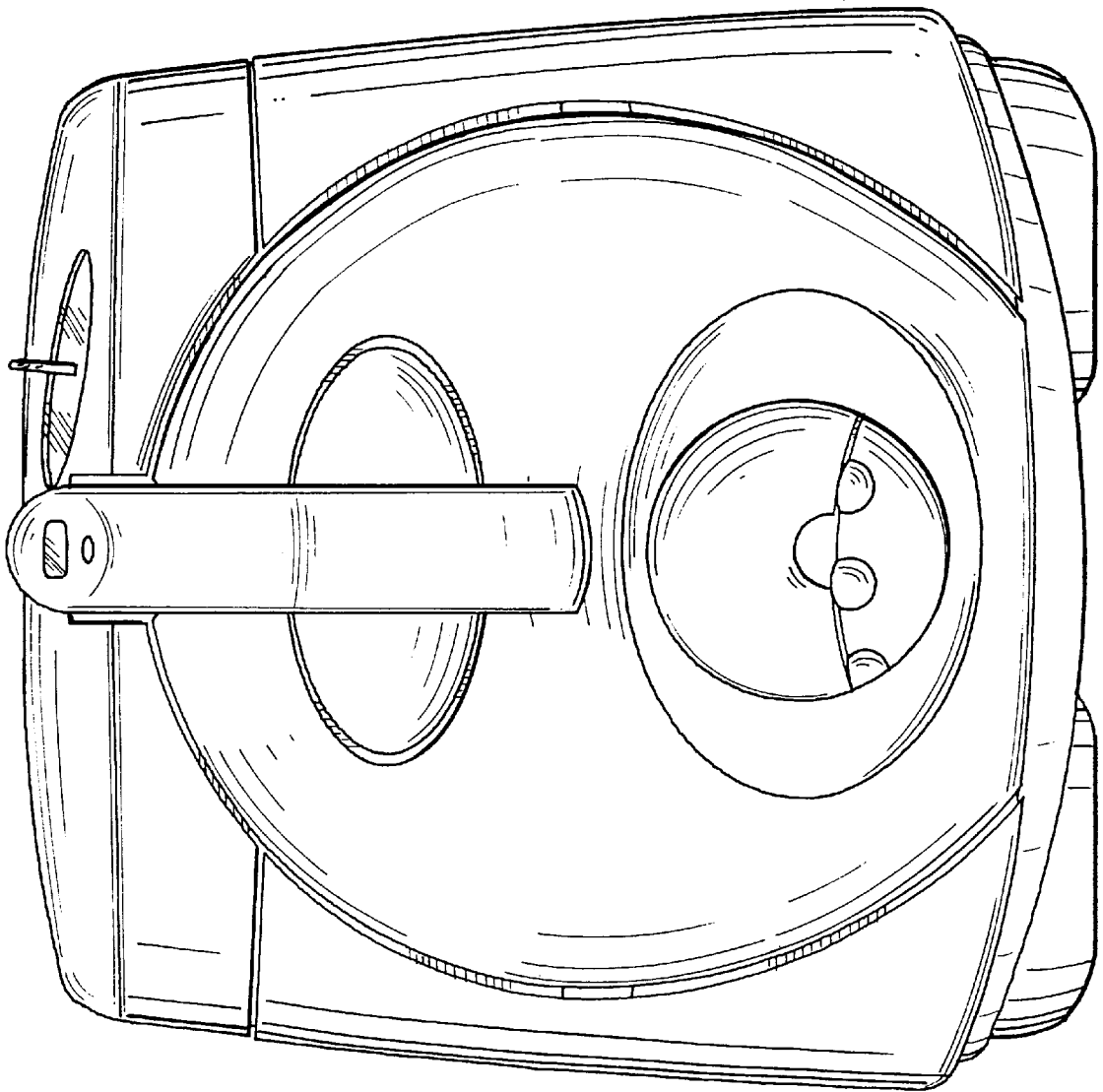




FIG. 3

FIG. 4

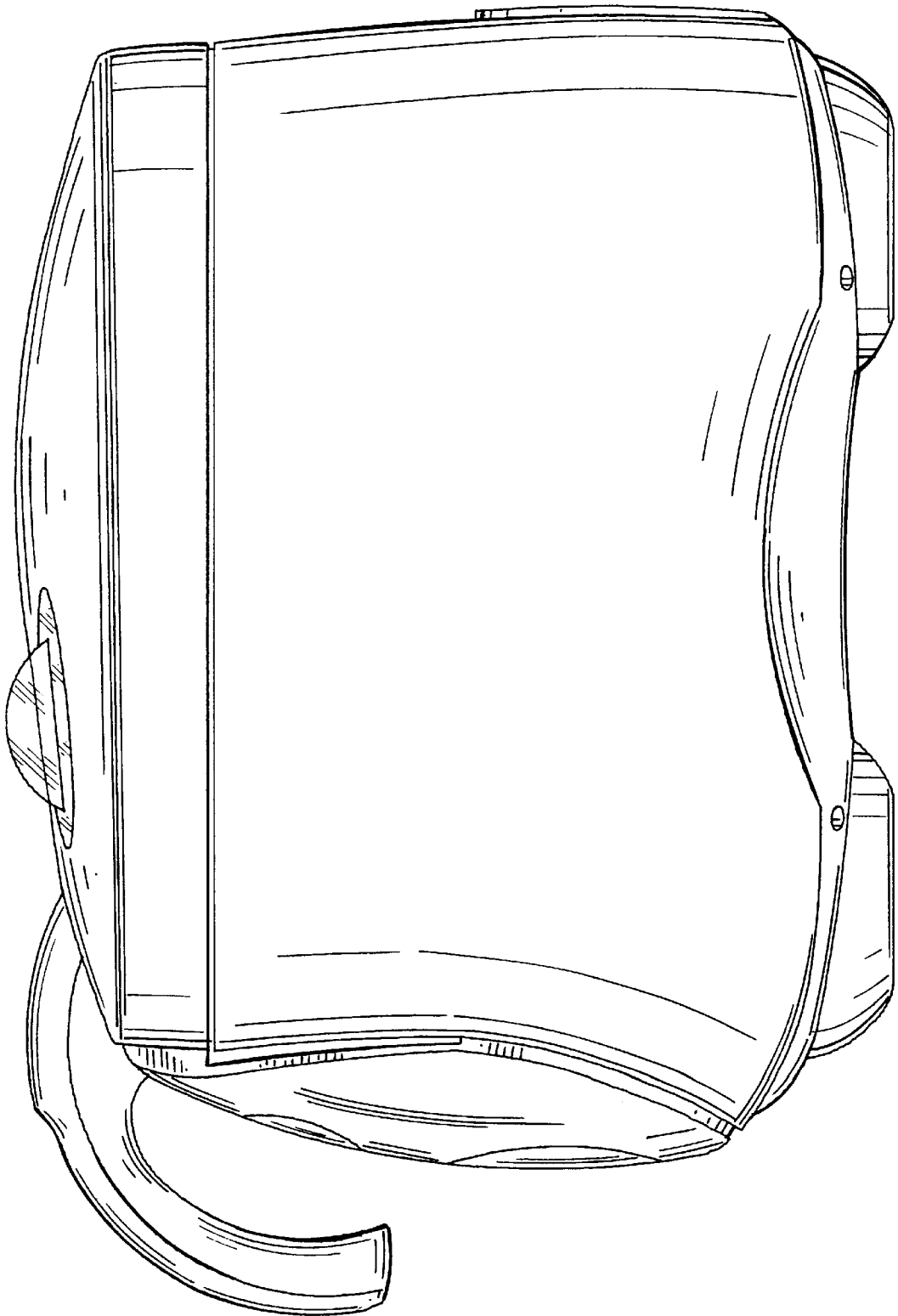
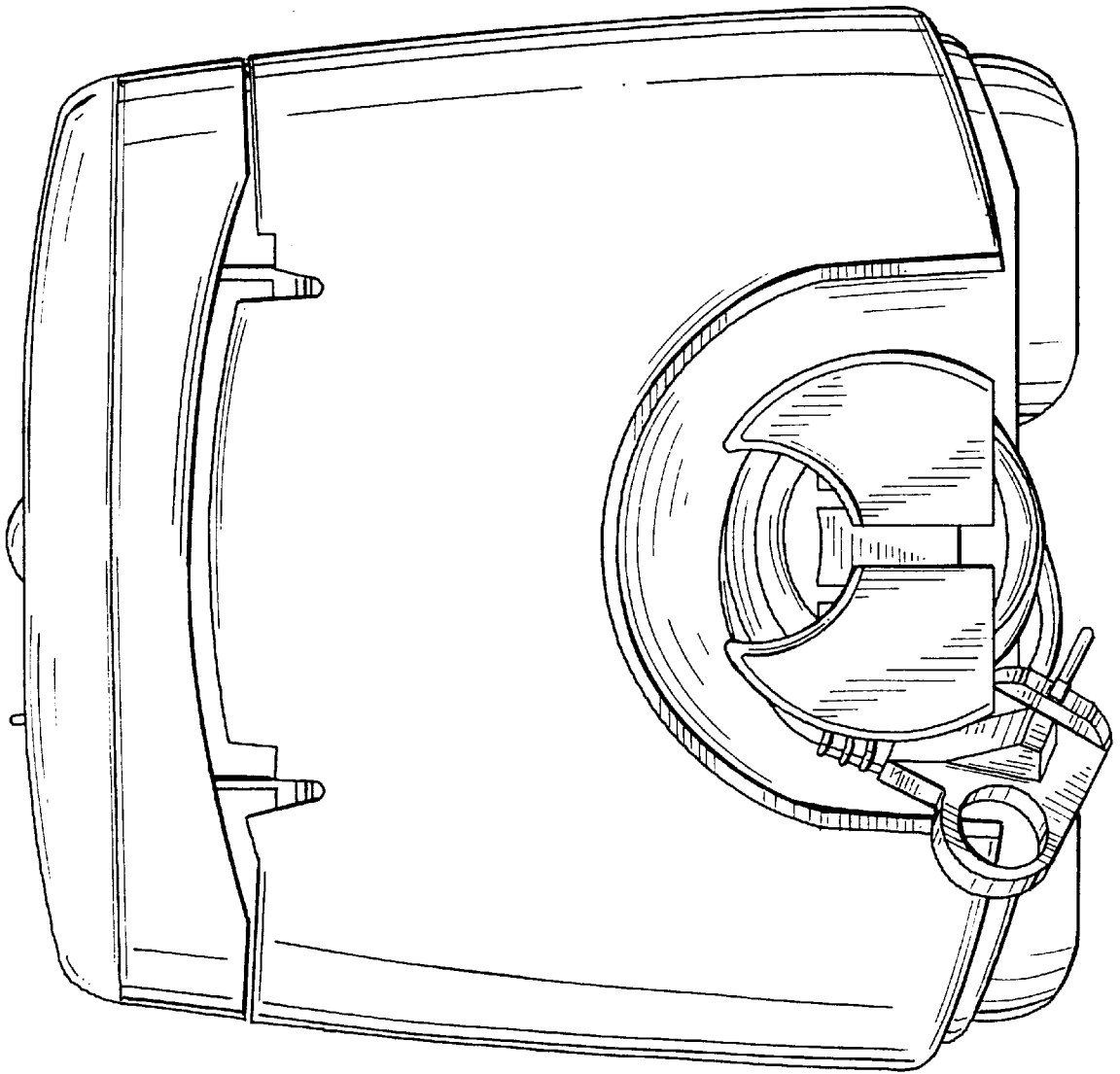


FIG. 5



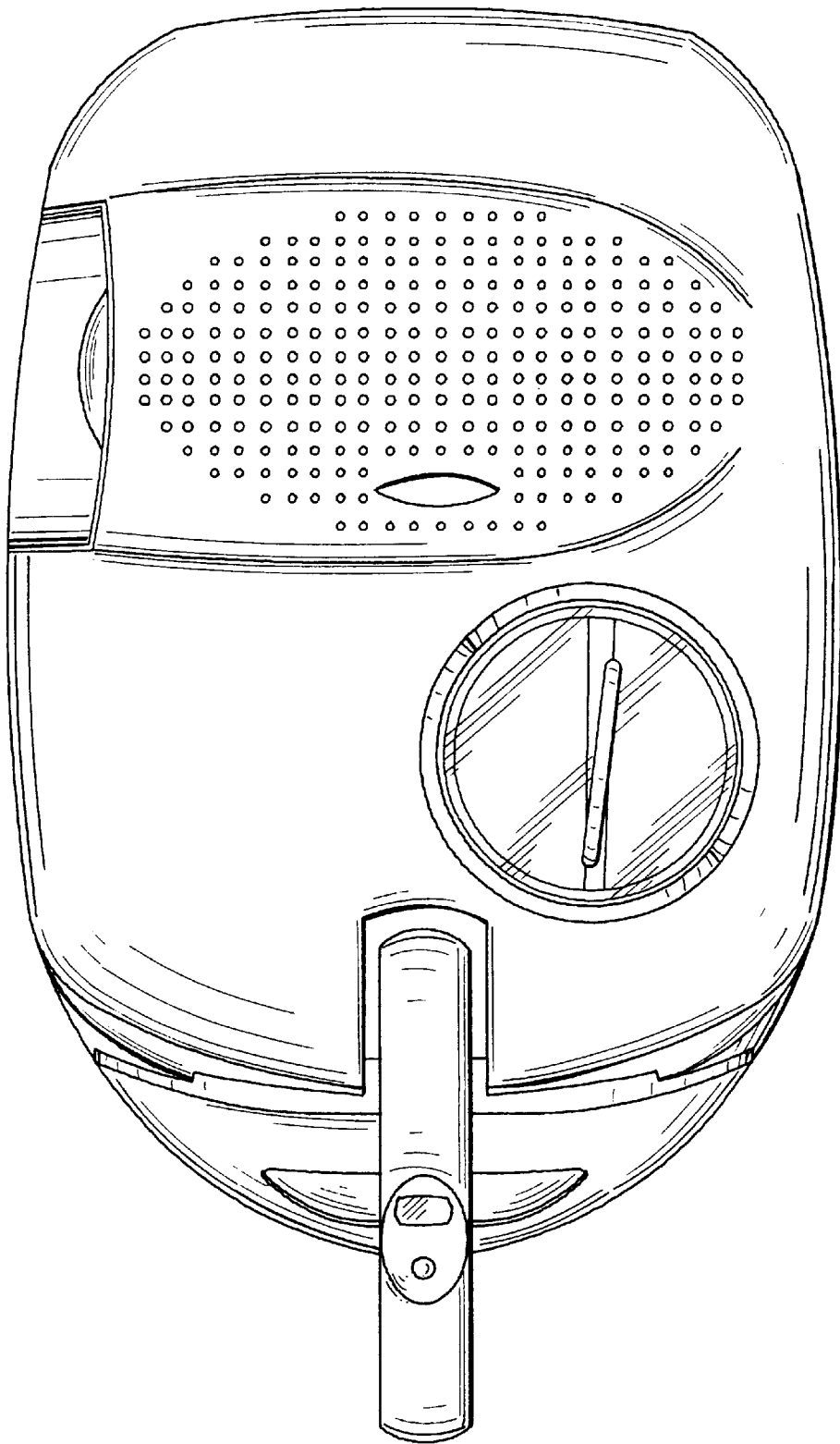


FIG. 6

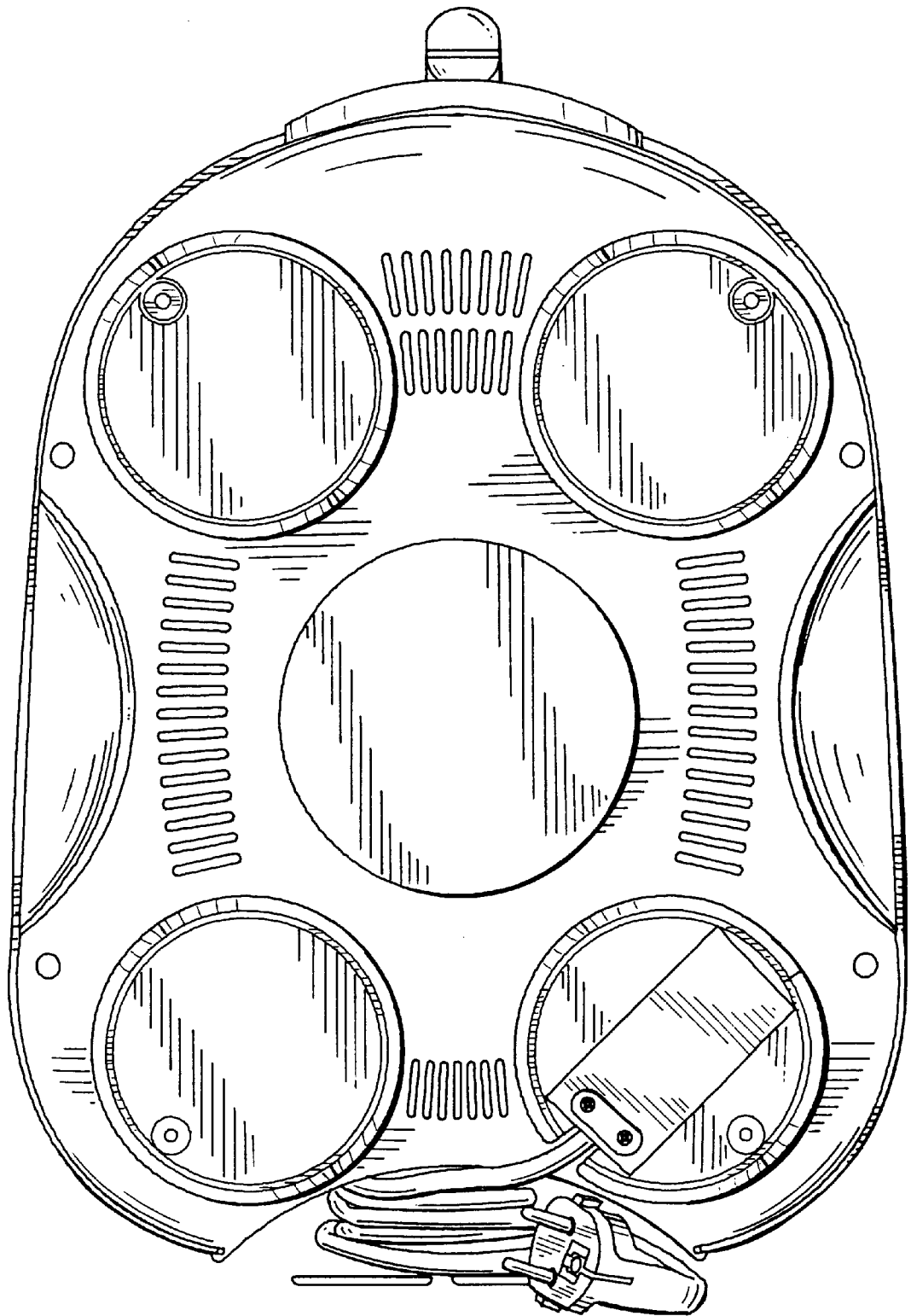


FIG. 7