



US00D423219S

**United States Patent** [19]  
**Dembicks**

[11] **Patent Number: Des. 423,219**  
[45] **Date of Patent: \*\* Apr. 25, 2000**

[54] **14-COMPARTMENT TRAY**

4,693,371 9/1987 Malpass ..... 206/561

[76] Inventor: **Andrew E. Dembicks**, 5308 Boca Marina Cir. North, Boca Raton, Fla. 33487

*Primary Examiner*—Louis S. Zarfes  
*Assistant Examiner*—Monica A. Weingart  
*Attorney, Agent, or Firm*—Quarles & Brady LLP

[\*\*] Term: **14 Years**

[57] **CLAIM**

[21] Appl. No.: **29/096,925**

An ornamental design for a 14-compartment tray, as shown and described.

[22] Filed: **Nov. 23, 1998**

**DESCRIPTION**

[51] **LOC (6) Cl.** ..... **03-01**

FIG. 1 is a top isometric view of the 14-compartment tray according to the present invention;

[52] **U.S. Cl.** ..... **D3/313; D3/201; D3/304; D3/314**

FIG. 2 is a bottom isometric view of the 14-compartment tray in FIG. 1;

[58] **Field of Search** ..... **D3/201, 304, 313, D3/314; 206/561; 220/507**

FIG. 3 is a right side view of the 14-compartment tray in FIG. 1;

[56] **References Cited**

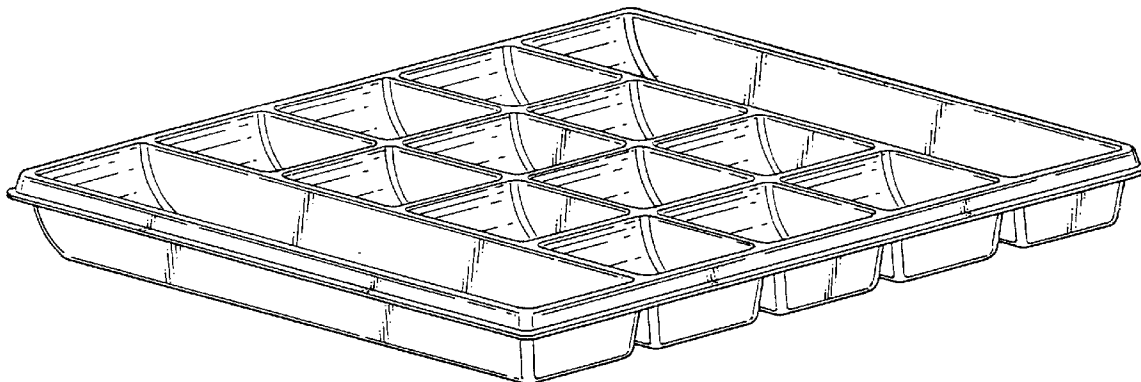
FIG. 4 is a front view of the 14-compartment tray in FIG. 1; FIG. 5 is a rear view of the 14-compartment tray in FIG. 1; FIG. 6 is a perspective view of the 14-compartment tray in FIG. 1; and,

**U.S. PATENT DOCUMENTS**

D. 278,253	4/1985	Evenson	.....	D3/313 X
D. 279,384	6/1985	Evenson	.....	D3/313 X
D. 312,074	11/1990	Eby	.....	D3/313
3,273,700	9/1966	Moreau et al.	.....	206/561
3,275,329	9/1966	Lieberman et al.	.....	206/561
4,149,628	4/1979	Gabarro	.....	206/561

FIG. 7 is a cross-sectional of the 14-compartment tray taken along the line "7-7" in FIG. 1 .

**1 Claim, 2 Drawing Sheets**



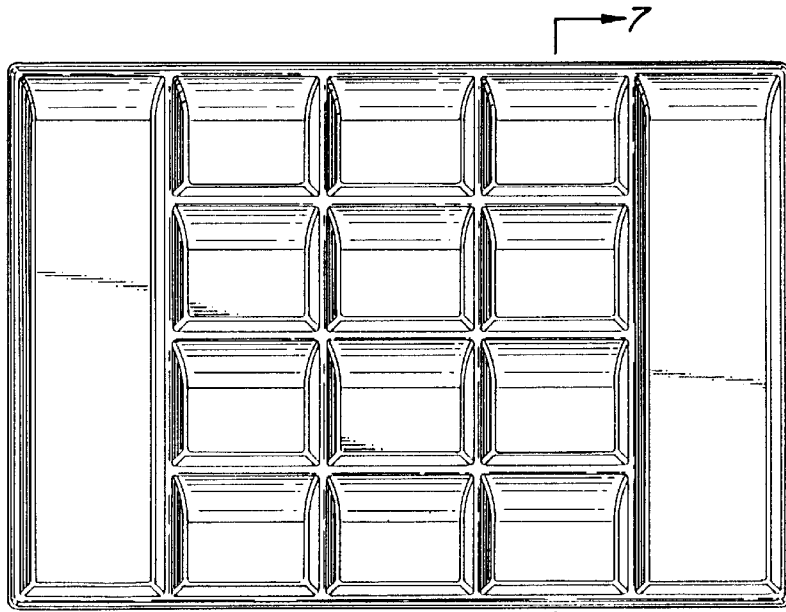


FIG. 1

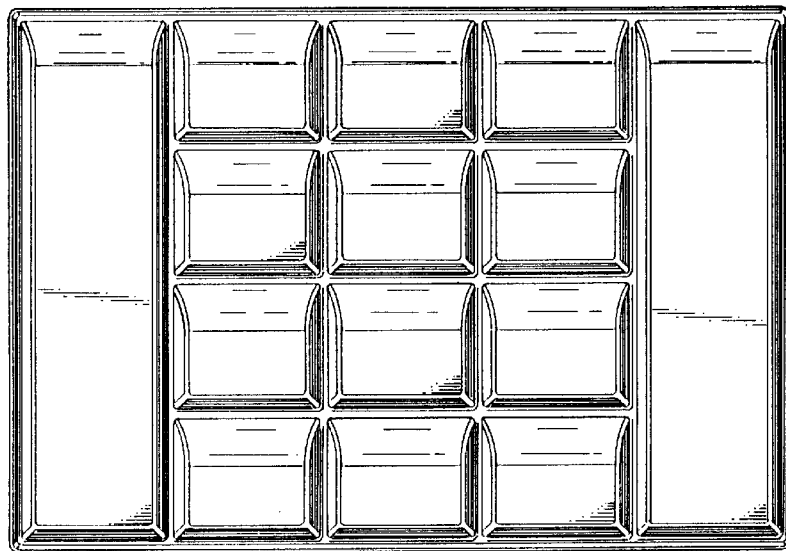


FIG. 2



FIG. 3



FIG. 4



FIG. 5



FIG. 7

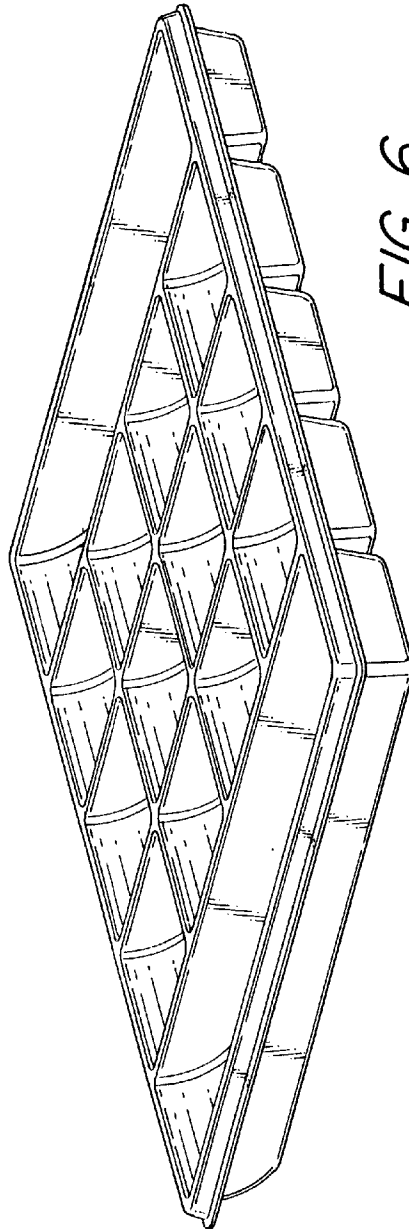


FIG. 6