



- (51) International Patent Classification:
B62D 25/16 (2006.01) *B62D 31/00* (2006.01)
- (21) International Application Number:
PCT/US2012/035215
- (22) International Filing Date:
26 April 2012 (26.04.2012)
- (25) Filing Language: English
- (26) Publication Language: English
- (30) Priority Data:
61/483,819 9 May 2011 (09.05.2011) US
- (71) Applicant (for all designated States except US): **PUBLIC TRANSPORTATION SAFETY INTERNATIONAL CORP.** [US/US]; 523 West 6th Street, Suite 1222, Los Angeles, CA 90014 (US).
- (72) Inventor; and
- (75) Inventor/Applicant (for US only): **BARRON, Mark, B.** [US/US]; 1100 Bel Air Place, Los Angeles, CA 90077 (US).
- (74) Agent: **DIEDERIKS, Everett, G.**; Diederiks & Whitelaw, PLC, 13885 Hedgewood Dr., Suite 317, Woodbridge, VA 22193-7932 (US).

(81) Designated States (unless otherwise indicated, for every kind of national protection available): AE, AG, AL, AM, AO, AT, AU, AZ, BA, BB, BG, BH, BR, BW, BY, BZ, CA, CH, CL, CN, CO, CR, CU, CZ, DE, DK, DM, DO, DZ, EC, EE, EG, ES, FI, GB, GD, GE, GH, GM, GT, HN, HR, HU, ID, IL, IN, IS, JP, KE, KG, KM, KN, KP, KR, KZ, LA, LC, LK, LR, LS, LT, LU, LY, MA, MD, ME, MG, MK, MN, MW, MX, MY, MZ, NA, NG, NI, NO, NZ, OM, PE, PG, PH, PL, PT, QA, RO, RS, RU, RW, SC, SD, SE, SG, SK, SL, SM, ST, SV, SY, TH, TJ, TM, TN, TR, TT, TZ, UA, UG, US, UZ, VC, VN, ZA, ZM, ZW.

(84) Designated States (unless otherwise indicated, for every kind of regional protection available): ARIPO (BW, GH, GM, KE, LR, LS, MW, MZ, NA, RW, SD, SL, SZ, TZ, UG, ZM, ZW), Eurasian (AM, AZ, BY, KG, KZ, RU, TJ, TM), European (AL, AT, BE, BG, CH, CY, CZ, DE, DK, EE, ES, FI, FR, GB, GR, HR, HU, IE, IS, IT, LT, LU, LV, MC, MK, MT, NL, NO, PL, PT, RO, RS, SE, SI, SK, SM, TR), OAPI (BF, BJ, CF, CG, CI, CM, GA, GN, GQ, GW, ML, MR, NE, SN, TD, TG).

Published:

- with international search report (Art. 21(3))
- before the expiration of the time limit for amending the claims and to be republished in the event of receipt of amendments (Rule 48.2(h))

[Continued on next page]

(54) Title: TELESCOPING VEHICLE SAFETY GUARD

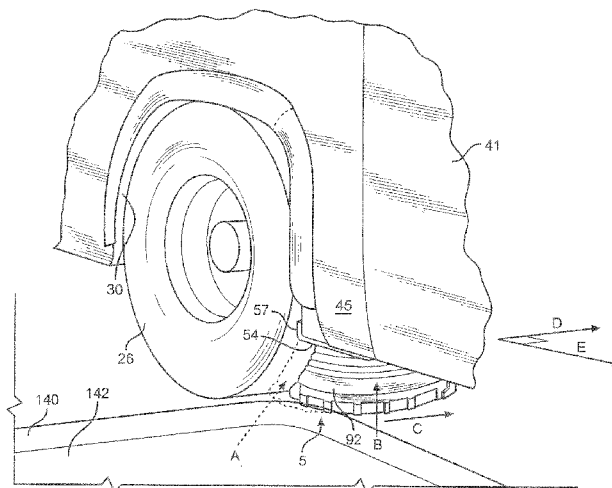
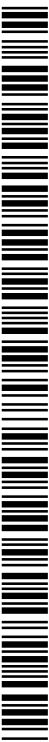


FIG. 4

(57) Abstract: A safety guard (5) for a vehicle (2), such as a school or transit bus, tractor trailer or the like-type vehicle, includes a frontal guard piece (92) positioned at an angle in front of a wheel (12, 26) of the vehicle that will function to push individuals and other animate objects lying in the path of the vehicle out of the path of the wheels (12, 26) for safety purposes, while being mounted for telescoping movement to protect the safety guard (5) from damage upon abutting an inanimate object during operation of the vehicle (2).



(88) Date of publication of the international search report:
27 December 2012

INTERNATIONAL SEARCH REPORT

International application No.
PCT/US2012/035215**A. CLASSIFICATION OF SUBJECT MATTER****B62D 25/16(2006.01)i, B62D 31/00(2006.01)i**

According to International Patent Classification (IPC) or to both national classification and IPC

B. FIELDS SEARCHED

Minimum documentation searched (classification system followed by classification symbols)

B62D 25/16; B60R 19/54; B60R 19/00; B60R 19/02; B60D 1/14

Documentation searched other than minimum documentation to the extent that such documents are included in the fields searched

Korean utility models and applications for utility models

Japanese utility models and applications for utility models

Electronic data base consulted during the international search (name of data base and, where practicable, search terms used)

eKOMPASS(KIPO internal) & Keywords: vehicle, safe, guard, protect, bump.

C. DOCUMENTS CONSIDERED TO BE RELEVANT

Category*	Citation of document, with indication, where appropriate, of the relevant passages	Relevant to claim No.
A	US 2011-0018289 A1 (BARRON MARK BOWEN) 27 January 2011 See page 1, paragraph [0016] - page 2, paragraph [0019]; figures 1, 3.	1-27
A	US 2009-0218787 A1 (JONES WALLACE R. et al.) 03 September 2009 See page 2, paragraph [0027] - page 3, paragraph [0037]; figures 5, 6.	1-27
A	US 05735560A A (BOWEN; MARK A. et al.) 07 April 1998 See column 7, lines 1-62; figures 17, 18.	1-27
A	US 04221410A A (DAWSON; JEFFREY S.) 09 September 1980 See column 2, lines 40 - 55; figures 1, 4.	1-27

 Further documents are listed in the continuation of Box C. See patent family annex.

* Special categories of cited documents:

"A" document defining the general state of the art which is not considered to be of particular relevance

"E" earlier application or patent but published on or after the international filing date

"L" document which may throw doubts on priority claim(s) or which is cited to establish the publication date of citation or other special reason (as specified)

"O" document referring to an oral disclosure, use, exhibition or other means

"P" document published prior to the international filing date but later than the priority date claimed

"T" later document published after the international filing date or priority date and not in conflict with the application but cited to understand the principle or theory underlying the invention

"X" document of particular relevance; the claimed invention cannot be considered novel or cannot be considered to involve an inventive step when the document is taken alone

"Y" document of particular relevance; the claimed invention cannot be considered to involve an inventive step when the document is combined with one or more other such documents, such combination being obvious to a person skilled in the art

"&" document member of the same patent family

Date of the actual completion of the international search

24 OCTOBER 2012 (24.10.2012)

Date of mailing of the international search report

24 OCTOBER 2012 (24.10.2012)

Name and mailing address of the ISA/KR

Korean Intellectual Property Office
189 Cheongsa-ro, Seo-gu, Daejeon Metropolitan
City, 302-701, Republic of Korea

Facsimile No. 82-42-472-7140

Authorized officer

CHOI Jin Hwan

Telephone No. 82-42-481-8433



INTERNATIONAL SEARCH REPORT

Information on patent family members

International application No.

PCT/US2012/035215

Patent document cited in search report	Publication date	Patent family member(s)	Publication date
US 2011-0018289 A1	27.01.2011	None	
US 2009-0218787 A1	03.09.2009	CA 2656762 A1 US 2008-0054664 A1 US 7819417 B2	10.06.2010 06.03.2008 26.10.2010
US 05735560A A	07.04.1998	CA 2187194 C EP 0755339 A1 EP 0755339 A1 EP 0755339 A4 EP 0755339 B1 JP 09-511970 A KR 10-1997-0702169 A US 05462324A A WO 95-28300 A1	28.06.2005 29.01.1997 14.03.2001 14.06.2000 24.07.2002 02.12.1997 13.05.1997 31.10.1995 26.10.1995
US 04221410A A	09.09.1980	None	