



US00D788211S

(12) **United States Design Patent**
Stanley

(10) **Patent No.:** **US D788,211 S**

(45) **Date of Patent:** **** May 30, 2017**

(54) **STRINGED INSTRUMENT TAILPIECE TUNER**

(71) Applicant: **Stonefield International Limited**,
Christchurch (NZ)

(72) Inventor: **Thomas James Stanley**, Christchurch
(NZ)

(73) Assignee: **STONEFIELD INTERNATIONAL LIMITED**, Christchurch (NZ)

(**) Term: **14 Years**

(21) Appl. No.: **29/501,525**

(22) Filed: **Sep. 4, 2014**

(30) **Foreign Application Priority Data**

Jun. 5, 2014 (NZ) 418891

(51) **LOC (10) Cl.** **17-03**

(52) **U.S. Cl.**
USPC **D17/21**

(58) **Field of Classification Search**

USPC ... D10/18, 21, 24, 25, 27, 28, 46, 93, 104.1,
D10/106, 113, 114, 116.1; D17/9, 13,
(Continued)

(56) **References Cited**

U.S. PATENT DOCUMENTS

615,053 A * 11/1898 Utt G10D 3/04
84/299

2,191,776 A * 2/1940 Schreiber G10D 3/12
84/314 N

(Continued)

OTHER PUBLICATIONS

Violin Tailpiece With Fine Tuners and Strings, image post date Dec. 13, 2013, site visited Feb. 22, 2016, (online), <<https://www.tineye.com/search/477c8deafffb6c45ccf0e62fdeefa930e96098c7/>>.*

Primary Examiner — Kevin Rudzinski

Assistant Examiner — Sean D Lough

(74) *Attorney, Agent, or Firm* — Stephen M. De Klerk

(57) **CLAIM**

The ornamental design for the stringed instrument tailpiece tuner, as shown.

DESCRIPTION

FIG. 1 is an isometric view in a fully extended position of a stringed instrument tailpiece tuner showing my new design;

FIG. 2 is an isometric view in a fully retracted position of my design;

FIG. 3 is a right side view in a fully retracted position of my design;

FIG. 4 is a right side view in a fully extended position of my design;

FIG. 5 is a left side view in a fully retracted position of my design;

FIG. 6 is a left side view in a fully extended position of my design;

FIG. 7 is a front view in a fully retracted position of my design;

FIG. 8 is a front view in a fully extended position of my design;

FIG. 9 is a top view in a fully retracted position of my design;

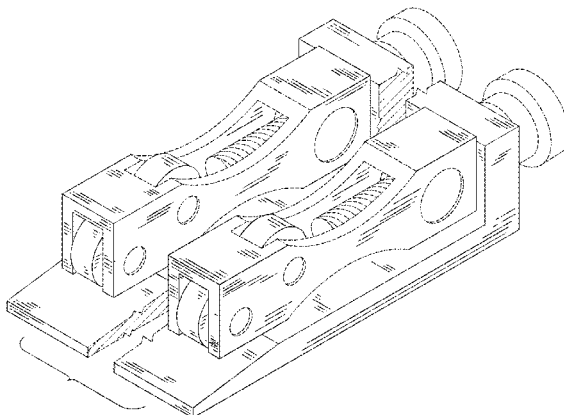
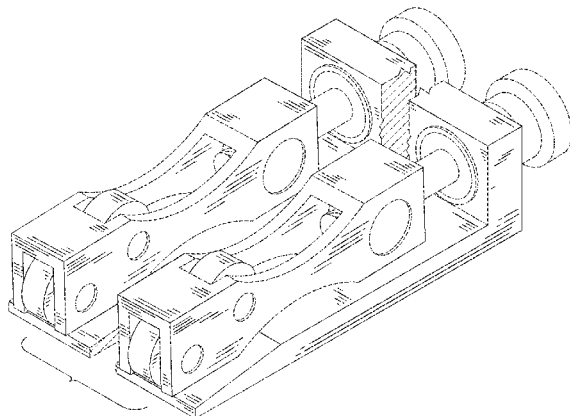
FIG. 10 is a top view in a fully extended position of my design;

FIG. 11 is a rear view of my design;

FIG. 12 is a bottom view in an extended position of my design; and,

FIG. 13 is bottom view in a retracted position of my design. The broken lines, where present, in all FIG. views illustrate portions of the stringed instrument tailpiece tuner and environment that forms no part of the claimed design. Additionally, the appearance of any portions of the design between the break lines within the brackets forms no part of the claimed design.

1 Claim, 13 Drawing Sheets



(58) **Field of Classification Search**

USPC ... D17/20, 22, 23, 24, 99, 4, 12, 14, 15, 16,
 D17/17, 18, 19, 21; D21/586; D28/7;
 D6/582, 583, 585, 592, 595, 596, 597,
 D6/601, 602, 603, 606, 608, 610, 617
 CPC H05K 7/20727; H05K 7/20581; F04D
 25/166; F04D 15/00; F04D 29/664; F24F
 3/044; F24F 7/06; F24F 7/065; F24F
 13/24; G10D 13/00; G10D 3/00; G10D
 3/18; G10G 5/00; A63H 5/00; A47G
 9/00; B60N 2/00

See application file for complete search history.

(56)

References Cited

U.S. PATENT DOCUMENTS

- 2,585,661 A * 2/1952 Kluson G10D 3/12
 84/299
 2,741,146 A * 4/1956 Fender G10D 3/146
 84/313
 3,048,073 A * 8/1962 Farr G10C 3/10
 84/205
 3,396,284 A * 8/1968 Scherer G10H 3/185
 310/327
 3,407,696 A * 10/1968 Smith G10D 3/14
 84/267
 3,411,394 A * 11/1968 Jones G10D 3/146
 84/313
 3,599,524 A * 8/1971 Jones G10D 3/12
 84/271
 D254,139 S * 2/1980 Rickard D17/20
 D254,976 S * 5/1980 Valente D17/22
 D256,804 S * 9/1980 Fender D17/21
 4,269,105 A * 5/1981 Salmon G10D 13/06
 84/402
 D261,526 S * 10/1981 Carson D17/21
 D262,292 S * 12/1981 Carson 84/313
 D262,376 S * 12/1981 Carson D17/21
 D269,439 S * 6/1983 Peavey D17/21
 4,453,443 A * 6/1984 Smith G10D 3/12
 84/205
 4,457,201 A * 7/1984 Storey G10D 3/146
 84/267
 D277,869 S * 3/1985 Price D17/21
 D280,107 S * 8/1985 Tanaka D17/21
 4,608,904 A * 9/1986 Steinberger G10D 3/14
 84/205
 4,648,304 A * 3/1987 Hoshino G10D 3/146
 84/297 S
 4,656,915 A * 4/1987 Osuga G10D 3/146
 84/297 R
 D290,017 S * 5/1987 Edwards D17/20
 4,712,463 A * 12/1987 Kubicki G10D 3/14
 84/267
 4,742,750 A * 5/1988 Storey G10D 3/146
 84/267
 D298,800 S * 12/1988 Diaz 84/402
 D299,906 S * 2/1989 Greulich D8/73
 4,802,397 A * 2/1989 Petschulat G10D 3/18
 84/313
 5,198,601 A * 3/1993 McCabe G10D 3/146
 84/298
 5,198,602 A * 3/1993 Roper G10D 13/08
 84/403
 5,211,599 A * 5/1993 Stanley A22C 11/0254
 452/37
 D352,951 S * 11/1994 Choate D17/22
 D353,612 S * 12/1994 Yanagisawa D17/22
 D355,433 S * 2/1995 Blanda, Jr. 84/313
 5,410,936 A * 5/1995 Ellsworth G10D 3/04
 84/267
 D359,063 S * 6/1995 Falk D17/99
 5,435,219 A * 7/1995 Huff G10D 3/146
 84/313
 D371,156 S * 6/1996 Burgos D17/22
 D373,136 S * 8/1996 Goto D17/21
 5,542,330 A * 8/1996 Borisoff G10D 3/143
 84/298
 5,589,653 A * 12/1996 Rose G10D 3/14
 84/297 R
 D381,355 S * 7/1997 Frank-Braun D17/20
 D386,779 S * 11/1997 Burgos 84/418
 5,705,760 A * 1/1998 Rose G10D 3/14
 84/199
 5,965,831 A * 10/1999 McCabe G10D 3/146
 84/297 R
 D420,694 S * 2/2000 Rose D17/14
 6,137,039 A * 10/2000 Rose G10H 3/18
 84/290
 D433,700 S * 11/2000 Gregory D17/21
 6,172,288 B1 * 1/2001 Freer G10D 13/025
 84/411 R
 D437,362 S * 2/2001 Campbell D21/406
 D441,006 S * 4/2001 Gregory D17/20
 D441,034 S * 4/2001 Li D21/406
 6,316,709 B1 * 11/2001 Nanberg G10D 13/003
 84/402
 6,328,626 B1 * 12/2001 Eubanks A01M 31/004
 446/213
 D473,259 S * 4/2003 Izen D17/22
 6,797,870 B2 * 9/2004 Kang G10D 3/146
 84/313
 6,875,910 B2 * 4/2005 Naimish G10D 3/04
 84/298
 6,891,094 B2 * 5/2005 McCabe G10D 3/146
 84/298
 7,045,693 B2 * 5/2006 Rose G10D 3/04
 84/298
 7,111,721 B1 * 9/2006 Turner B65G 47/8823
 193/35 A
 D533,211 S * 12/2006 Kyser D17/20
 7,309,824 B2 * 12/2007 LeBlanc G10D 3/14
 84/298
 7,378,582 B2 * 5/2008 Kinoshita G10D 3/12
 84/314 N
 D587,743 S * 3/2009 Kroon D17/21
 D607,487 S * 1/2010 Haase D17/20
 7,652,205 B2 * 1/2010 Leach G10D 1/08
 84/267
 7,692,079 B2 * 4/2010 Lyles G10D 3/14
 84/312 R
 7,699,759 B1 * 4/2010 Page A63B 21/0084
 482/111
 7,888,571 B2 * 2/2011 Steinberger G10D 3/146
 84/267
 7,960,630 B2 * 6/2011 Steinberger G10D 3/143
 84/307
 8,207,433 B1 * 6/2012 Maiorana G10D 3/12
 84/267
 D688,300 S * 8/2013 Chaput D17/20
 8,536,430 B2 * 9/2013 McCabe G10D 3/14
 84/312 R
 8,536,431 B1 * 9/2013 McCabe G10D 3/146
 84/298
 8,618,396 B1 * 12/2013 Dunnett G10D 13/025
 84/415
 D707,476 S * 6/2014 Sawhney D6/682.4
 D714,267 S * 9/2014 Kallas D14/229
 8,940,986 B1 * 1/2015 Edwards G10D 3/14
 84/267
 8,946,529 B2 * 2/2015 Rose G10D 1/08
 84/313
 9,010,700 B1 * 4/2015 Cooper F16M 11/38
 248/166
 D737,804 S * 9/2015 Fereday D14/229
 9,123,312 B2 * 9/2015 McCabe G10D 3/146
 9,251,771 B1 * 2/2016 Hsu G10G 5/00
 9,263,005 B1 * 2/2016 Moushon G10D 3/143

(56)

References Cited

U.S. PATENT DOCUMENTS

2012/0060782	A1*	3/2012	Sullivan	F01L 1/181 123/90.42
2012/0187646	A1*	7/2012	Turner	B62K 15/006 280/87.05
2012/0195537	A1*	8/2012	Ince	F16C 35/073 384/493

* cited by examiner

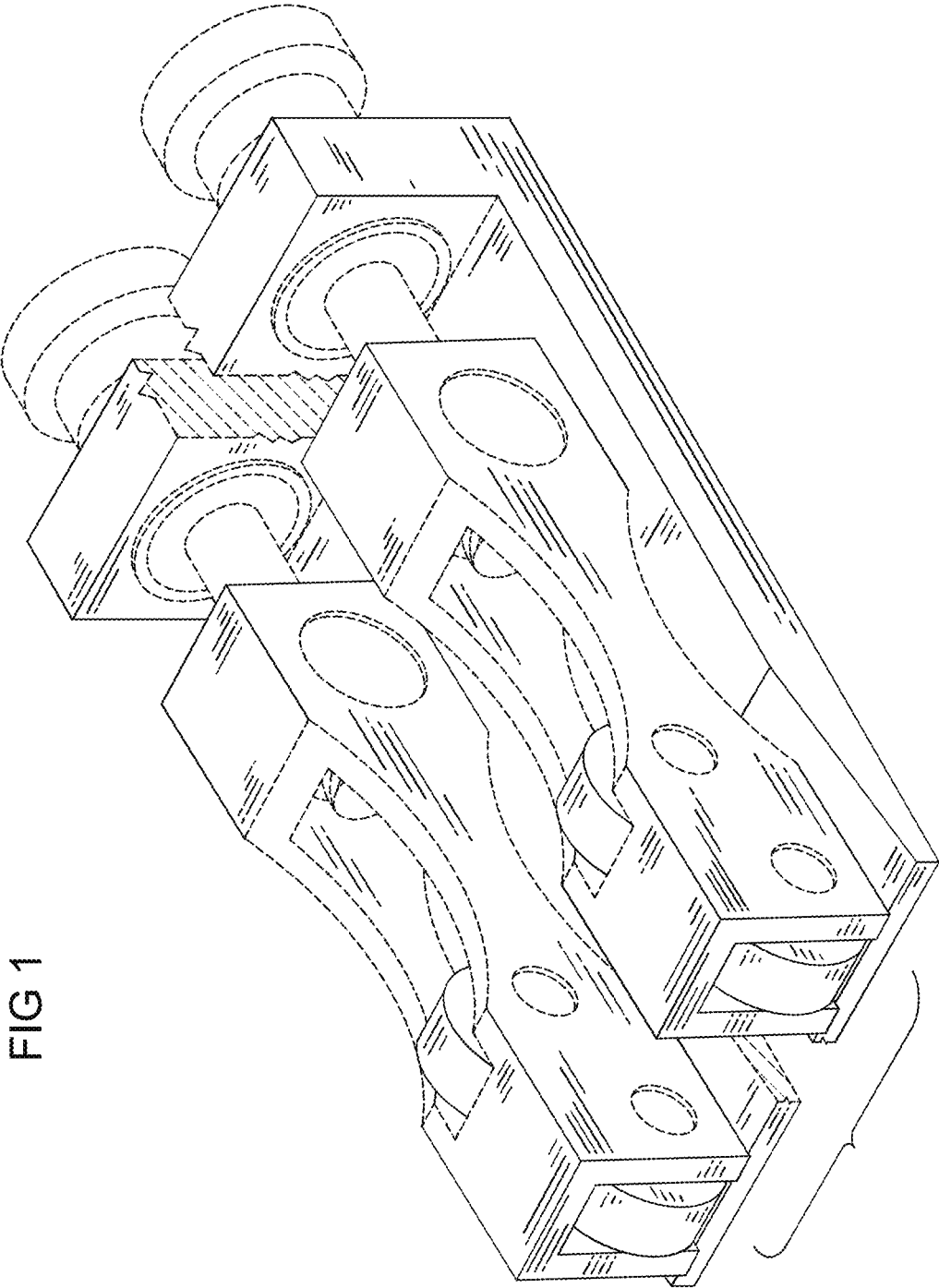


FIG 1

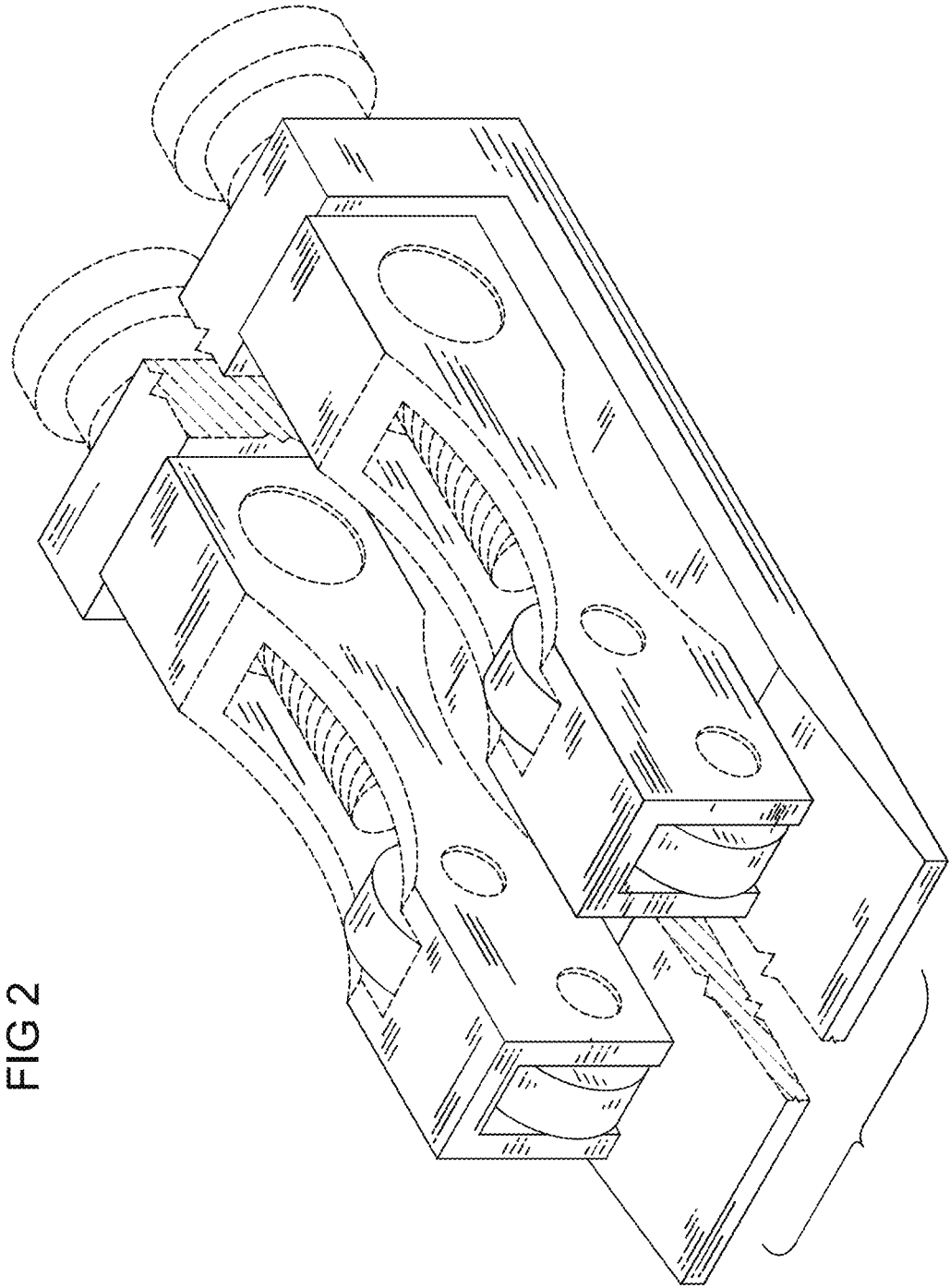


FIG 2

FIG 3

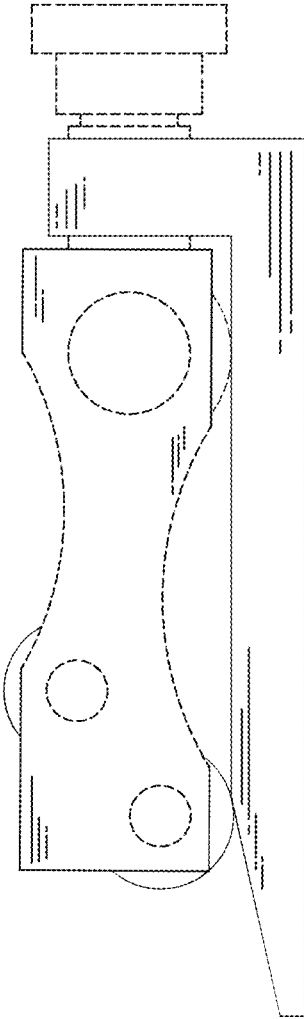


FIG 4

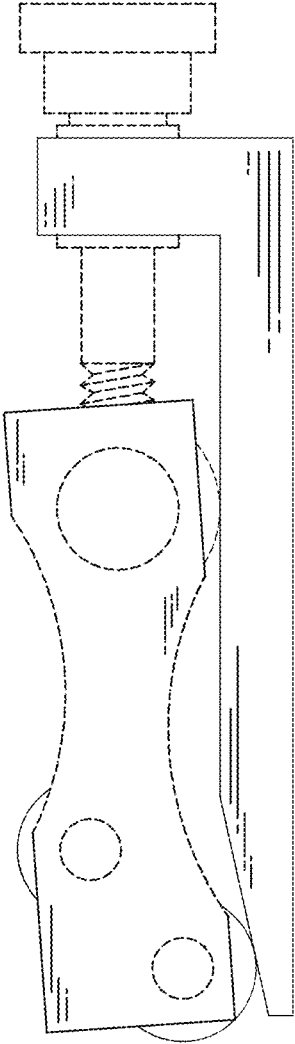


FIG 5

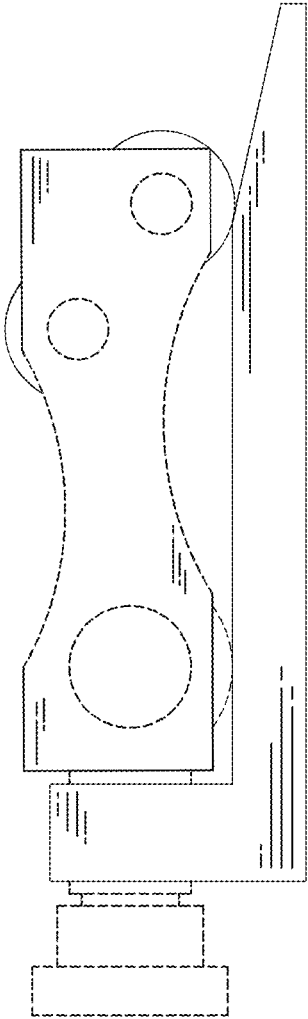


FIG 6

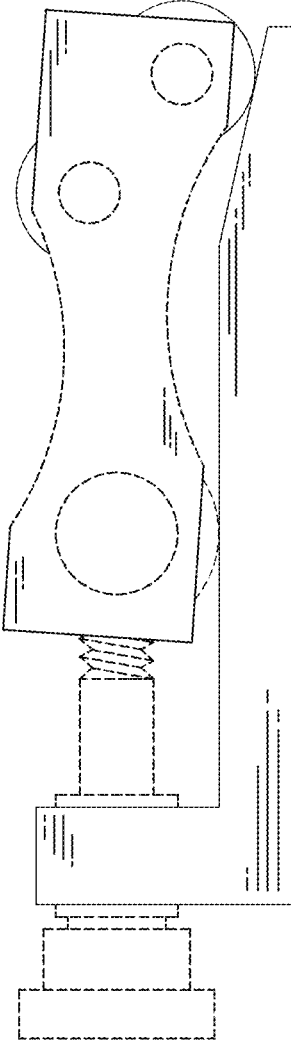


FIG 7

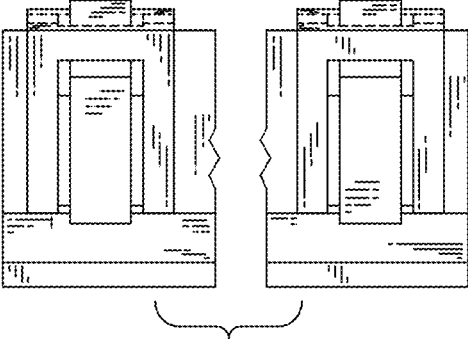


FIG 8

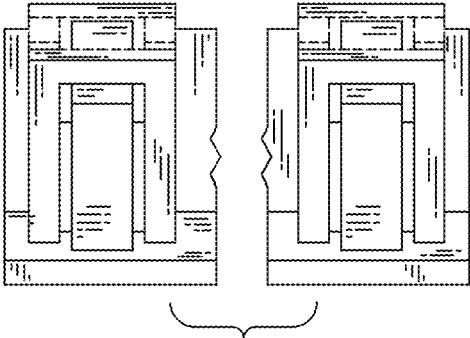


FIG 9

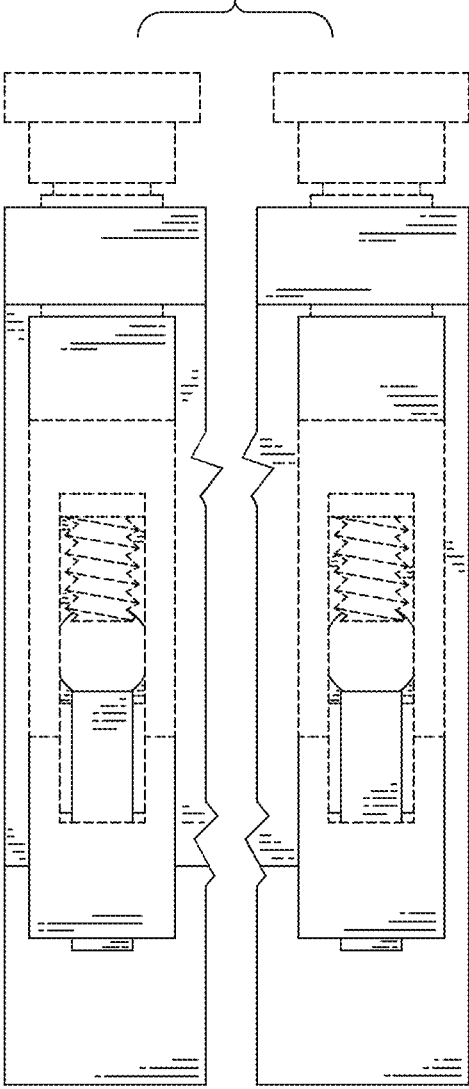


FIG 10

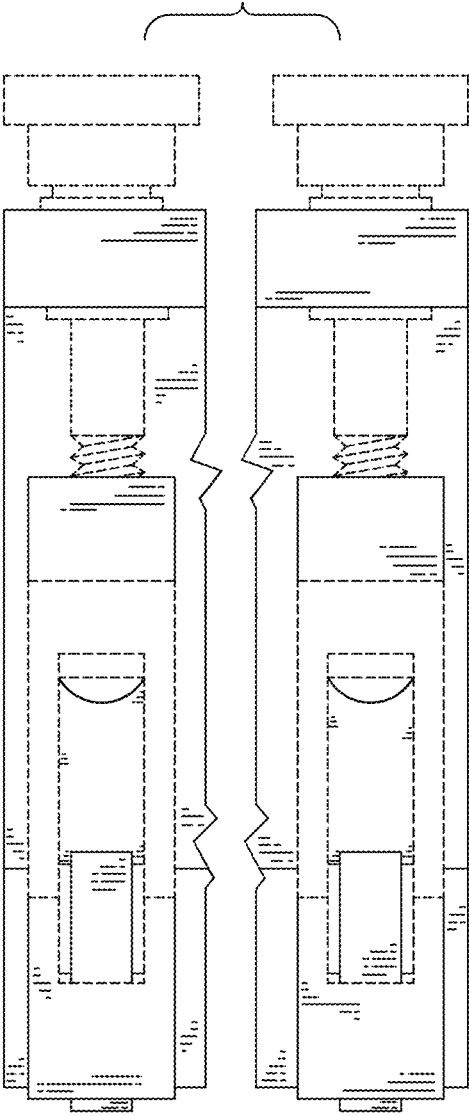


FIG11

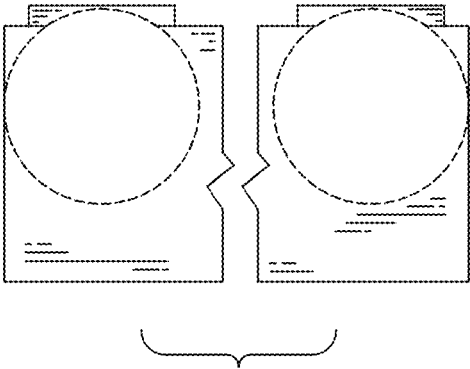


FIG 12

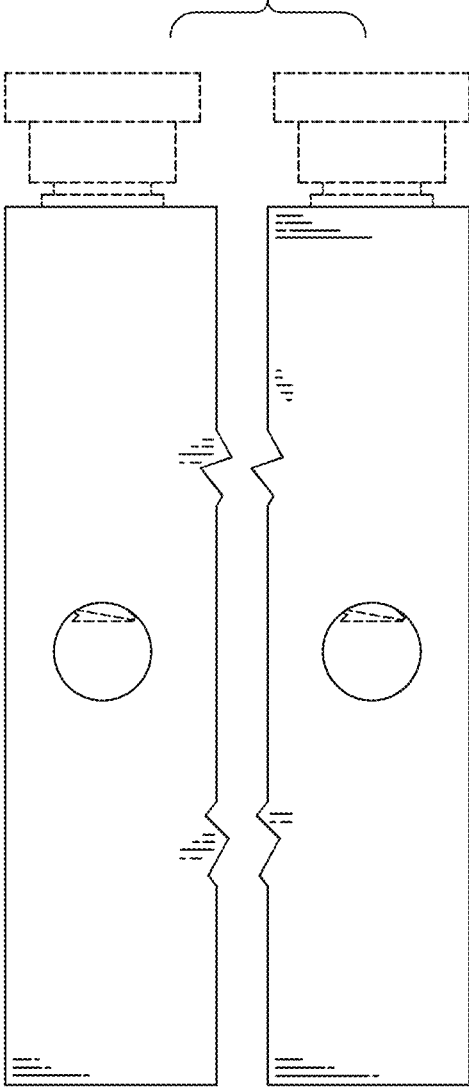


FIG 13

