



US00D464073S

(12) **United States Design Patent** (10) **Patent No.:** **US D464,073 S**
Nakamura (45) **Date of Patent:** **** Oct. 8, 2002**

(54) **PROJECTOR**

OTHER PUBLICATIONS

(75) Inventor: **Toshihiro Nakamura, Tokyo (JP)**

Catalog "Sony Projectors for Home Entertainment", pp. 4 & 10, Sony Corporation (Oct. 2000).

(73) Assignee: **Sony Corporation, Tokyo (JP)**

* cited by examiner

(**) Term: **14 Years**

Primary Examiner—Adir Aronovich
(74) *Attorney, Agent, or Firm*—Rader, Fishman & Grauer, PLLC

(21) Appl. No.: **29/149,321**

(22) Filed: **Oct. 10, 2001**

(57) **CLAIM**

(51) **LOC (7) Cl.** **16-02**

The ornamental design for a projector, as shown and described.

(52) **U.S. Cl.** **D16/230**

(58) **Field of Search** D16/200, 205,
D16/221, 225, 230, 231, 234; D21/514;
353/115, 61, 119, 122

DESCRIPTION

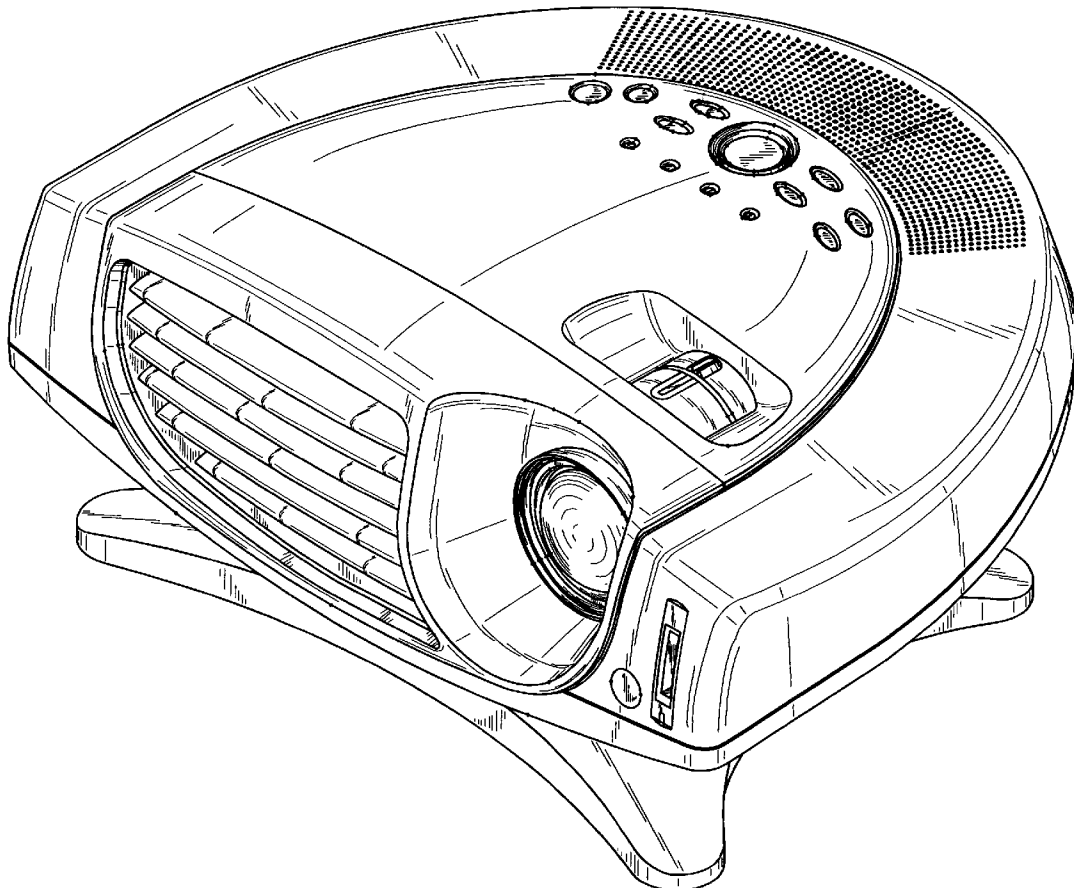
(56) **References Cited**

FIG. 1 is a perspective view of a projector showing my new design;
FIG. 2 is a front elevational view thereof;
FIG. 3 is a rear elevational view thereof;
FIG. 4 is a left side elevational view thereof;
FIG. 5 is a right side elevational view thereof;
FIG. 6 is a top plan view thereof; and,
FIG. 7 is a bottom plan view thereof.

U.S. PATENT DOCUMENTS

3,019,701 A	*	2/1962	Brueckner	353/61
D331,768 S	*	12/1992	Saeki et al.	D16/225
D409,644 S	*	5/1999	Uehara	D16/234
D433,049 S		10/2000	Murakami	D16/231
D437,607 S	*	2/2001	Takahashi	D16/230
D450,077 S	*	11/2001	Isono	D16/230
D454,361 S	*	3/2002	Saeki et al.	D16/231

1 Claim, 5 Drawing Sheets



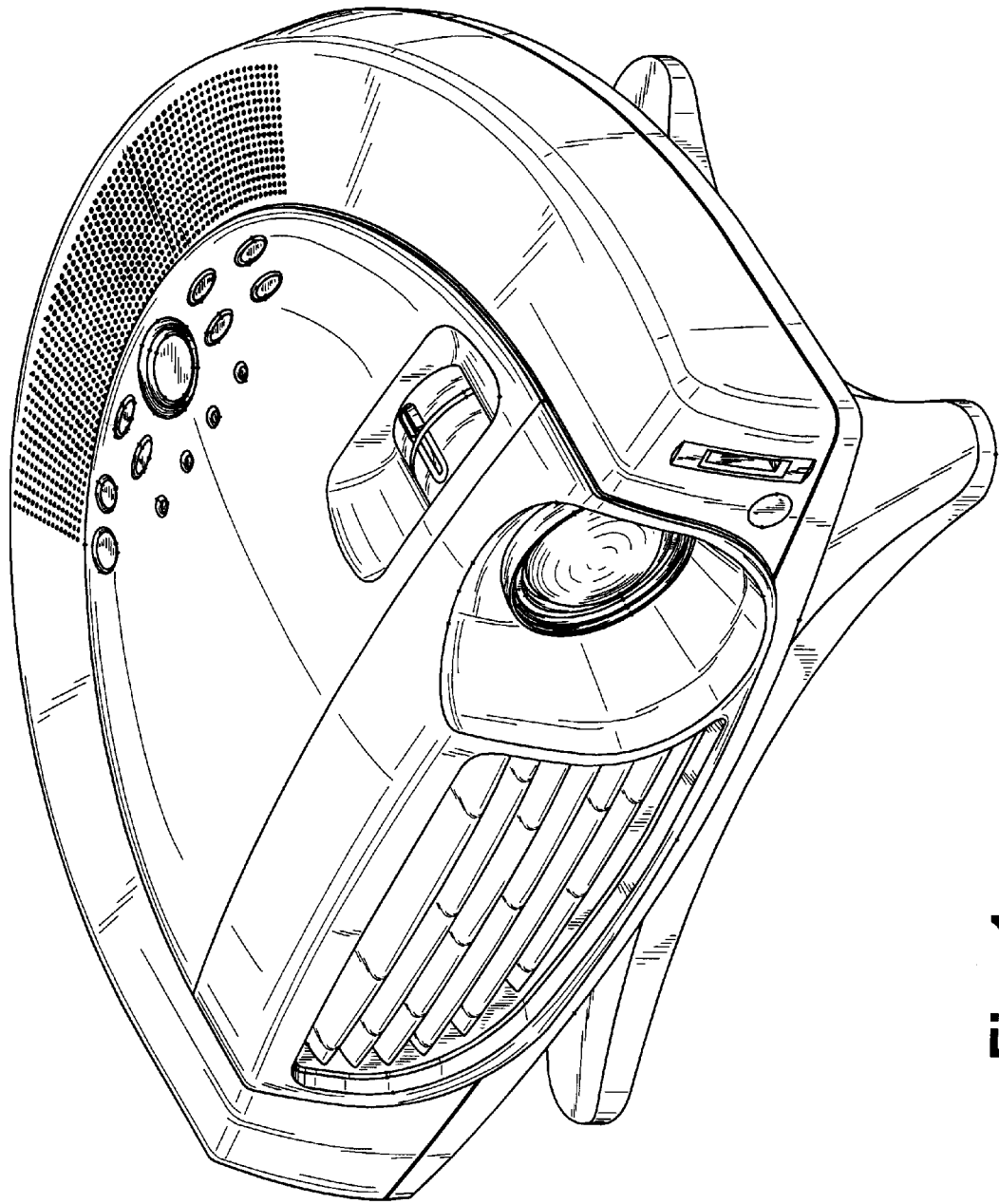


Fig. 1

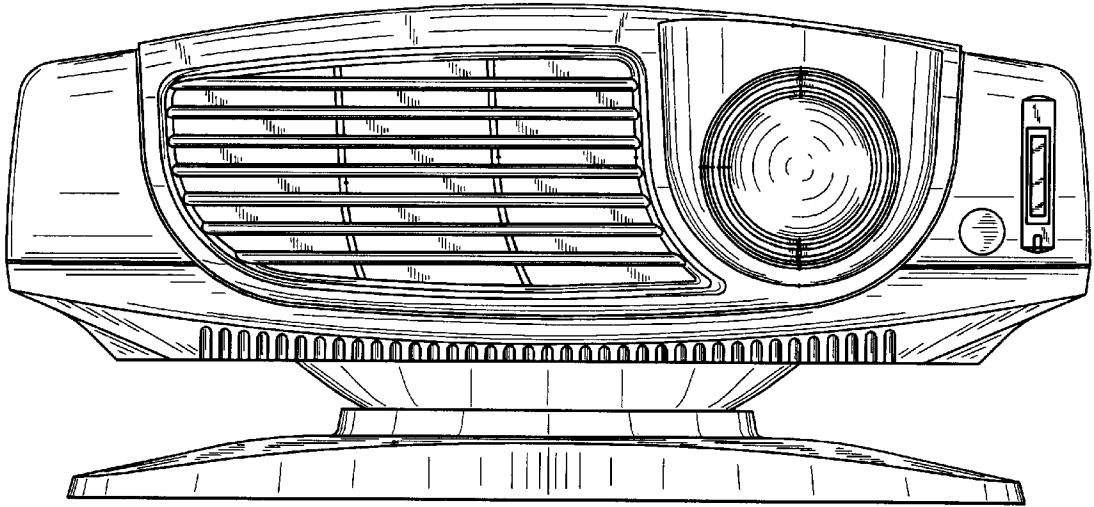


Fig. 2

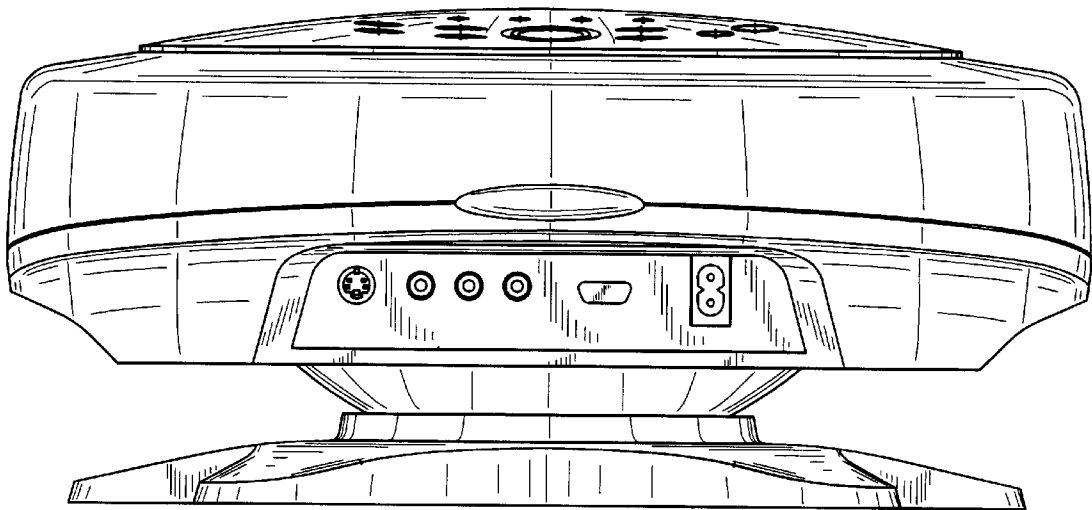


Fig. 3

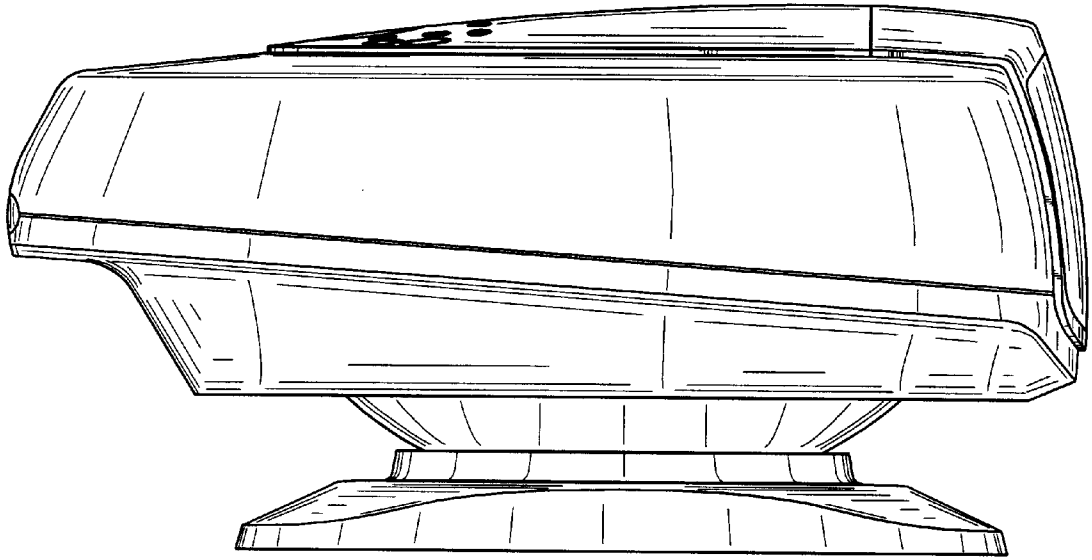


Fig. 4

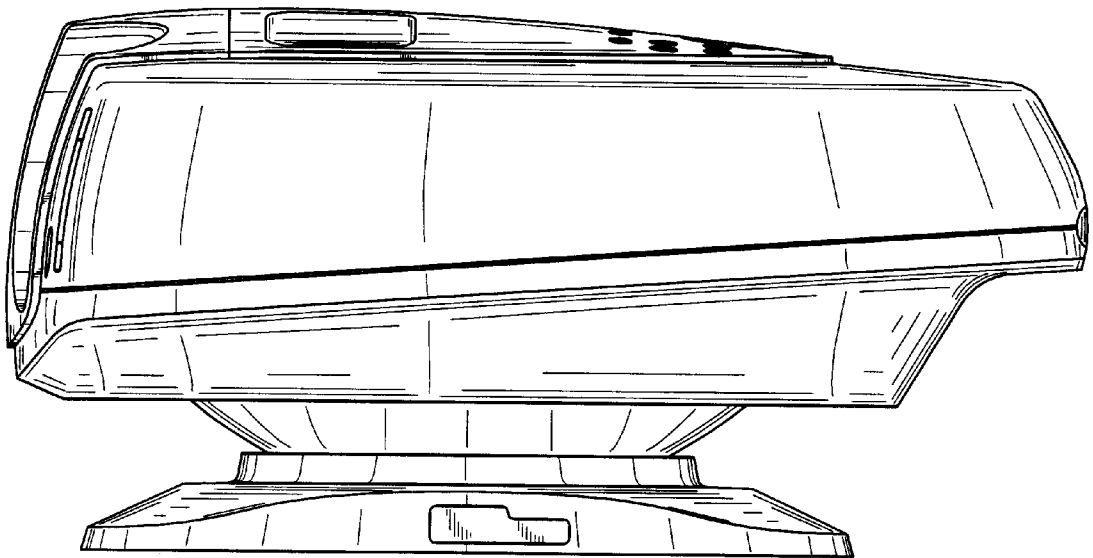


Fig. 5

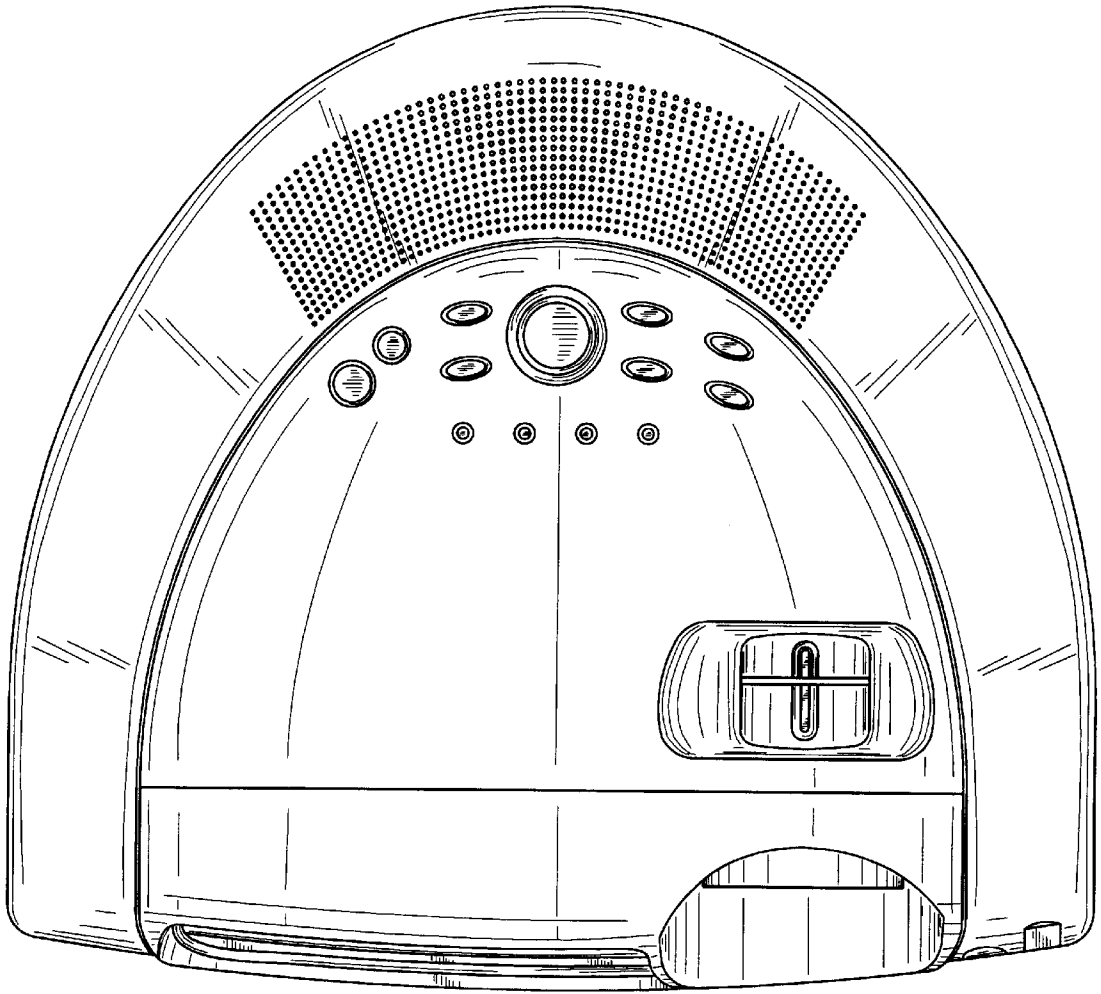


Fig. 6

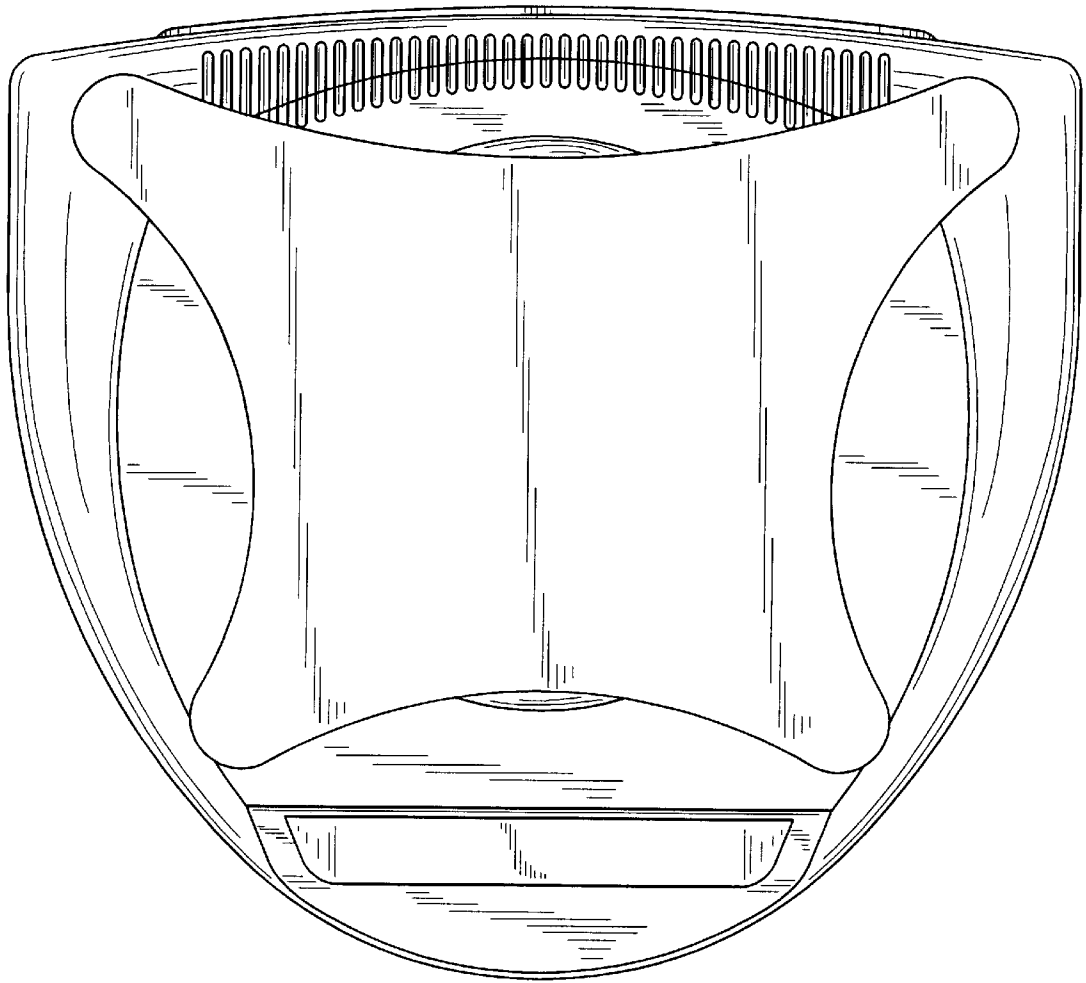


Fig. 7