



US00D888784S

(12) **United States Design Patent**
Premo

(10) **Patent No.:** **US D888,784 S**

(45) **Date of Patent:** **** Jun. 30, 2020**

- (54) **SHADE FRAME FOR A BOOM LIFT**
- (71) Applicant: **Jon J. Premo**, Riverside, CA (US)
- (72) Inventor: **Jon J. Premo**, Riverside, CA (US)
- (**) Term: **15 Years**
- (21) Appl. No.: **29/675,909**
- (22) Filed: **Jan. 7, 2019**
- (51) **LOC (12) Cl.** **15-03**
- (52) **U.S. Cl.**
USPC **D15/28**
- (58) **Field of Classification Search**
USPC D15/10-28; D3/5; D6/718.29, 716.8
CPC .. A47C 7/62; A47C 7/66; A45B 11/00; A45B
17/00; A45B 23/00; A61G 5/00; A61G
5/10

See application file for complete search history.

6,405,742 B1	6/2002	Driscoll	
D513,513 S *	1/2006	Taber	D15/28
D515,106 S *	2/2006	Taber	D15/28
7,048,333 B2	5/2006	Martinez	
7,431,389 B2 *	10/2008	Reeb	A47C 4/00 297/184.15
7,566,095 B2 *	7/2009	Reeb	A47C 4/00 297/184.15
D606,481 S *	12/2009	Stapp	D12/317
D751,536 S *	3/2016	Hochman	D14/239
D752,028 S *	3/2016	Hochman	D14/239
D759,367 S	6/2016	Zaccaro et al.	
D774,815 S	12/2016	Lovley, II et al.	
D879,842 S *	3/2020	Gordon	D15/17

(Continued)

Primary Examiner — Mark A Goodwin

(74) *Attorney, Agent, or Firm* — Kirk A. Buhler; Buhler & Associates Patenting

(57) **CLAIM**

The ornamental design for a shade frame for a boom lift, as shown and described.

DESCRIPTION

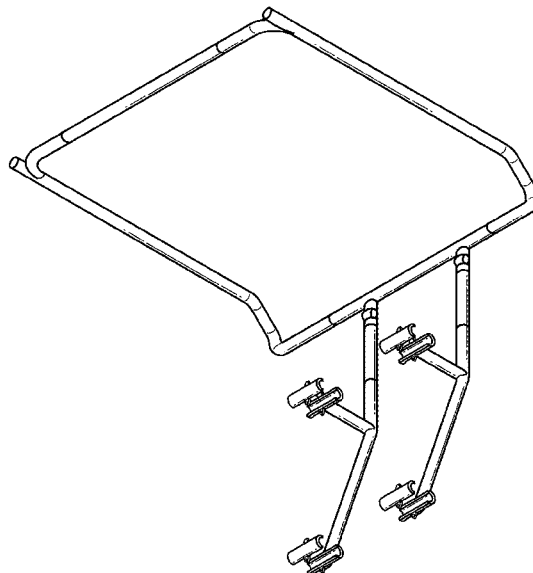
FIG. 1 is a bottom perspective view of a shade frame for a boom lift;
 FIG. 2 is a left side elevation view, the right side elevation view being a mirror image thereof, and
 FIG. 3 is a front elevation view thereof;
 FIG. 4 is a rear elevation view thereof;
 FIG. 5 is a top plan view thereof;
 FIG. 6 is a bottom view thereof;
 FIG. 7 is a top perspective view showing my new design in its environment; and,
 FIG. 8 is a bottom perspective view with the top portion of the frame rotated.
 The broken lines in FIG. 7 depict environmental subject matter for illustrative purposes only and form no part of the claimed design.

1 Claim, 8 Drawing Sheets

(56) **References Cited**

U.S. PATENT DOCUMENTS

2,836,187 A *	5/1958	Dunnagan	B60N 3/007 135/96
3,765,434 A	10/1973	Riggs	
4,641,883 A *	2/1987	Kato	A47G 9/1045 297/118
4,643,479 A *	2/1987	Servi	A61G 5/10 297/184.15
5,000,210 A *	3/1991	Worthington, Jr.	A47C 7/66 135/90
5,096,257 A	3/1992	Clark	
5,255,954 A *	10/1993	Rogers	A47C 7/66 135/96
D355,424 S *	2/1995	Williams	D15/28
D361,014 S *	8/1995	Baribeau	D7/402
D391,546 S *	3/1998	Frink	D12/317
D392,243 S *	3/1998	Anderson	D12/317
5,842,732 A *	12/1998	Daggett	B60J 7/165 296/102
D408,038 S *	4/1999	Lollis, Jr.	D15/17



(56)

References Cited

U.S. PATENT DOCUMENTS

2007/0040422	A1*	2/2007	Reeb	A47C 7/66 297/184.1
2011/0284045	A1*	11/2011	Reeb	A45B 23/00 135/151
2014/0306494	A1*	10/2014	Frankel	A47C 7/66 297/184.15

* cited by examiner

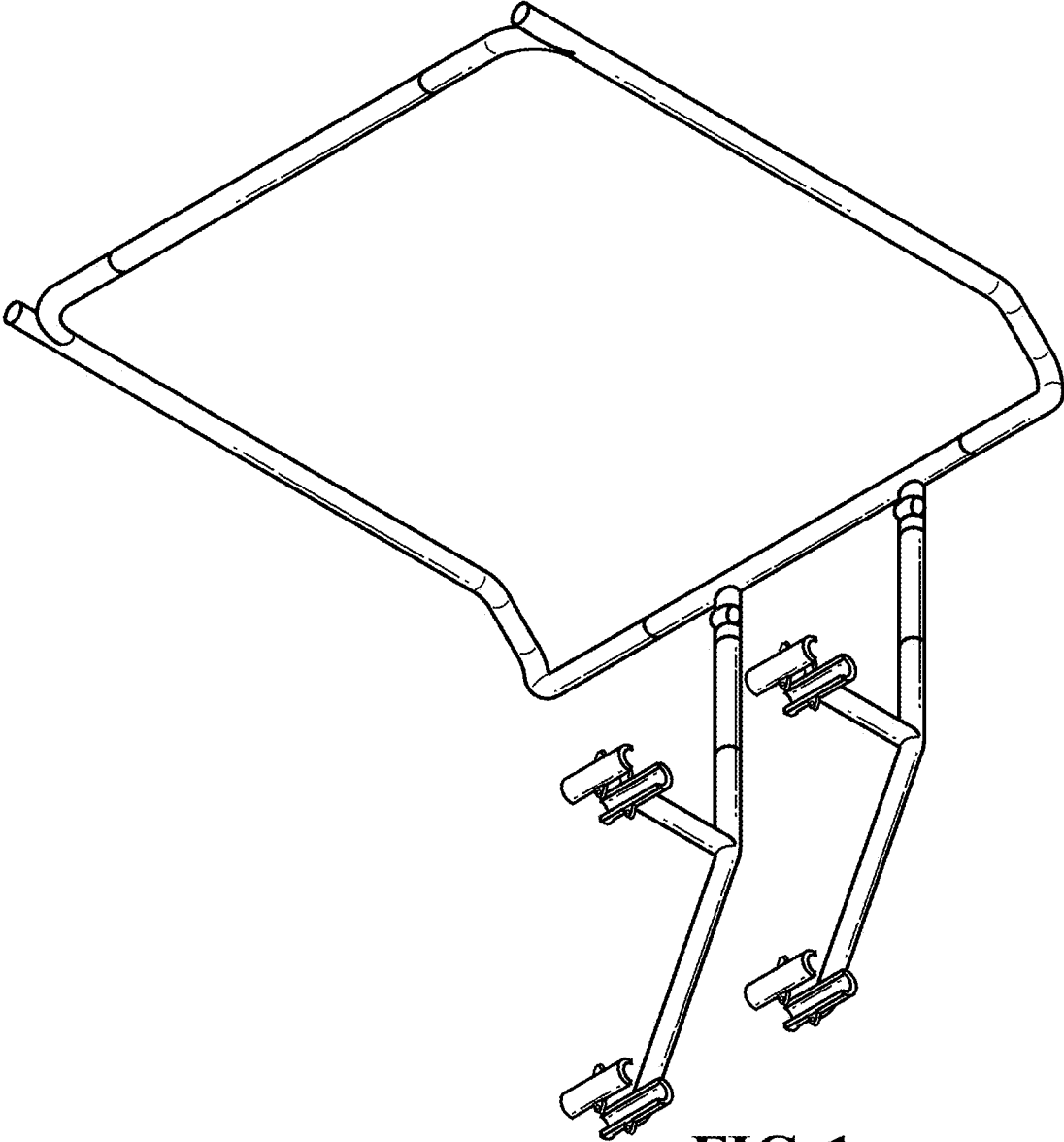


FIG. 1

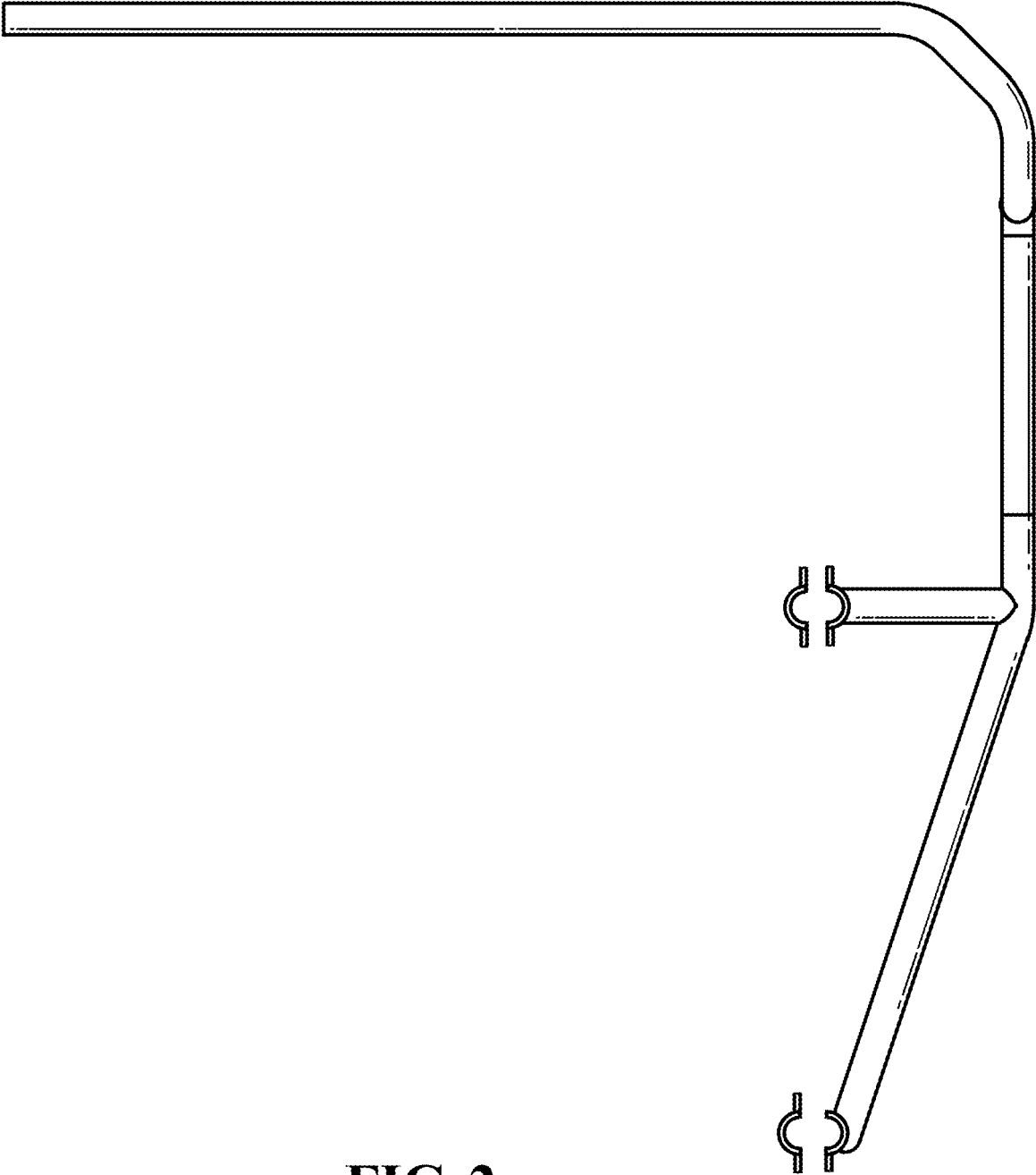


FIG. 2

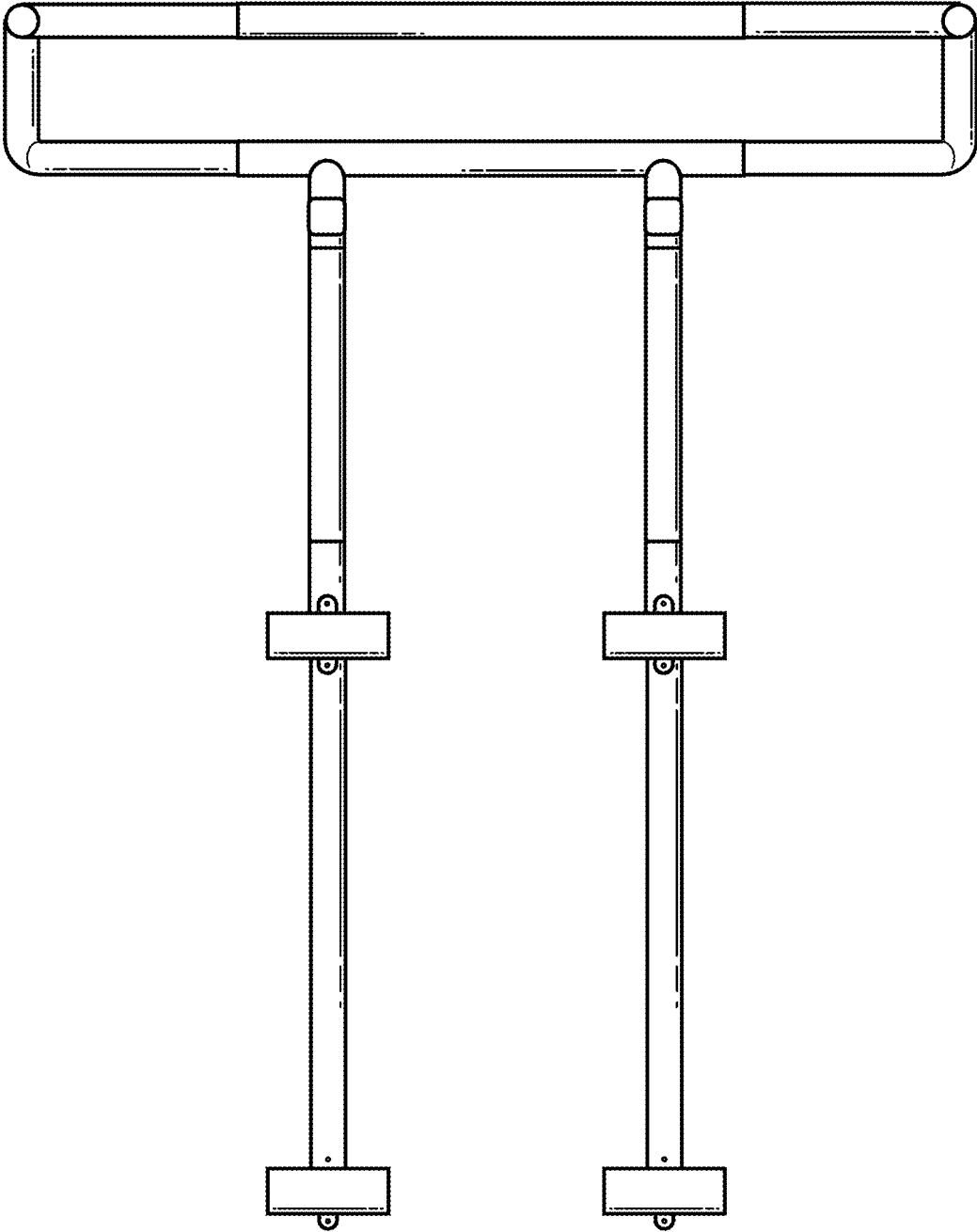


FIG. 3

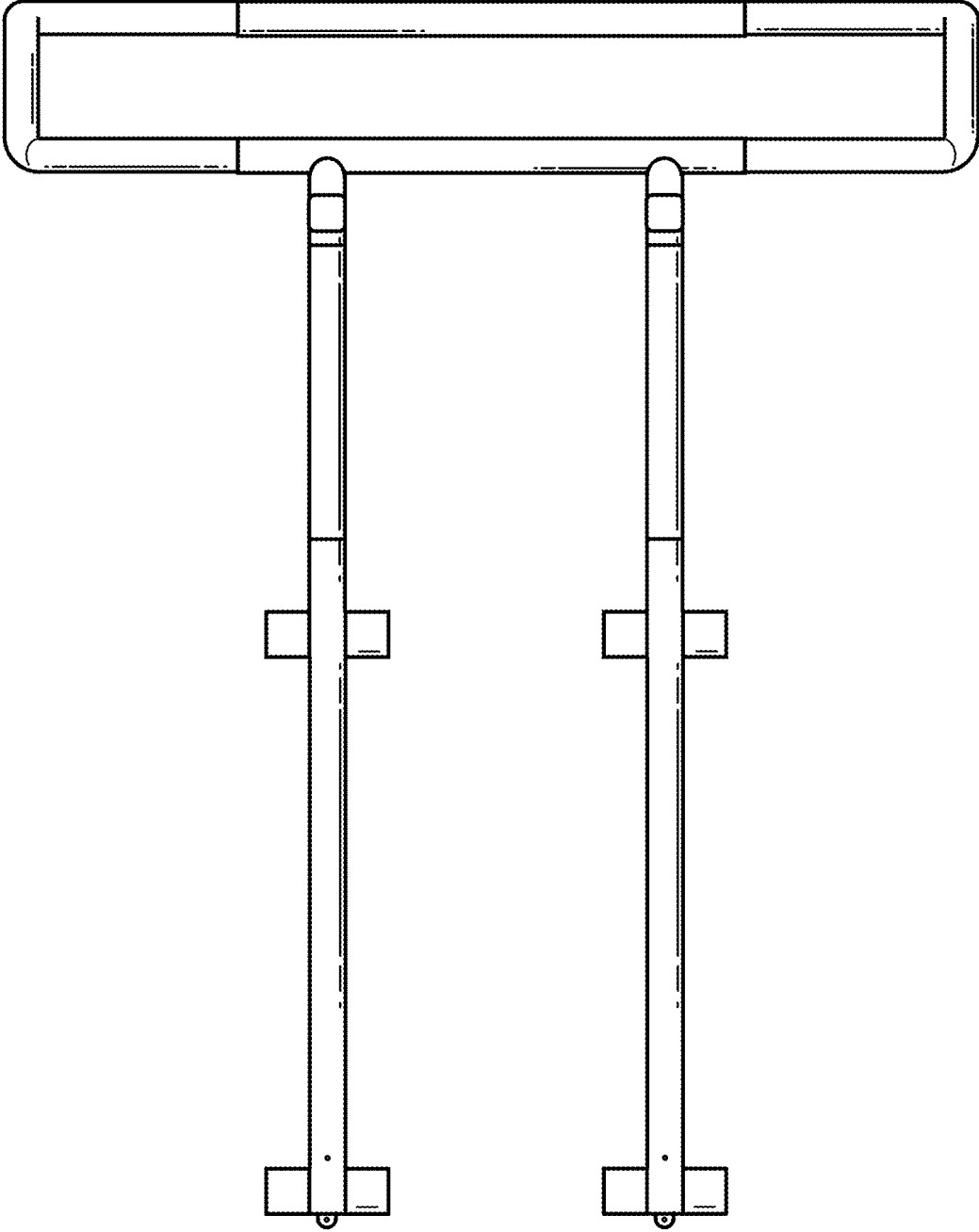


FIG. 4

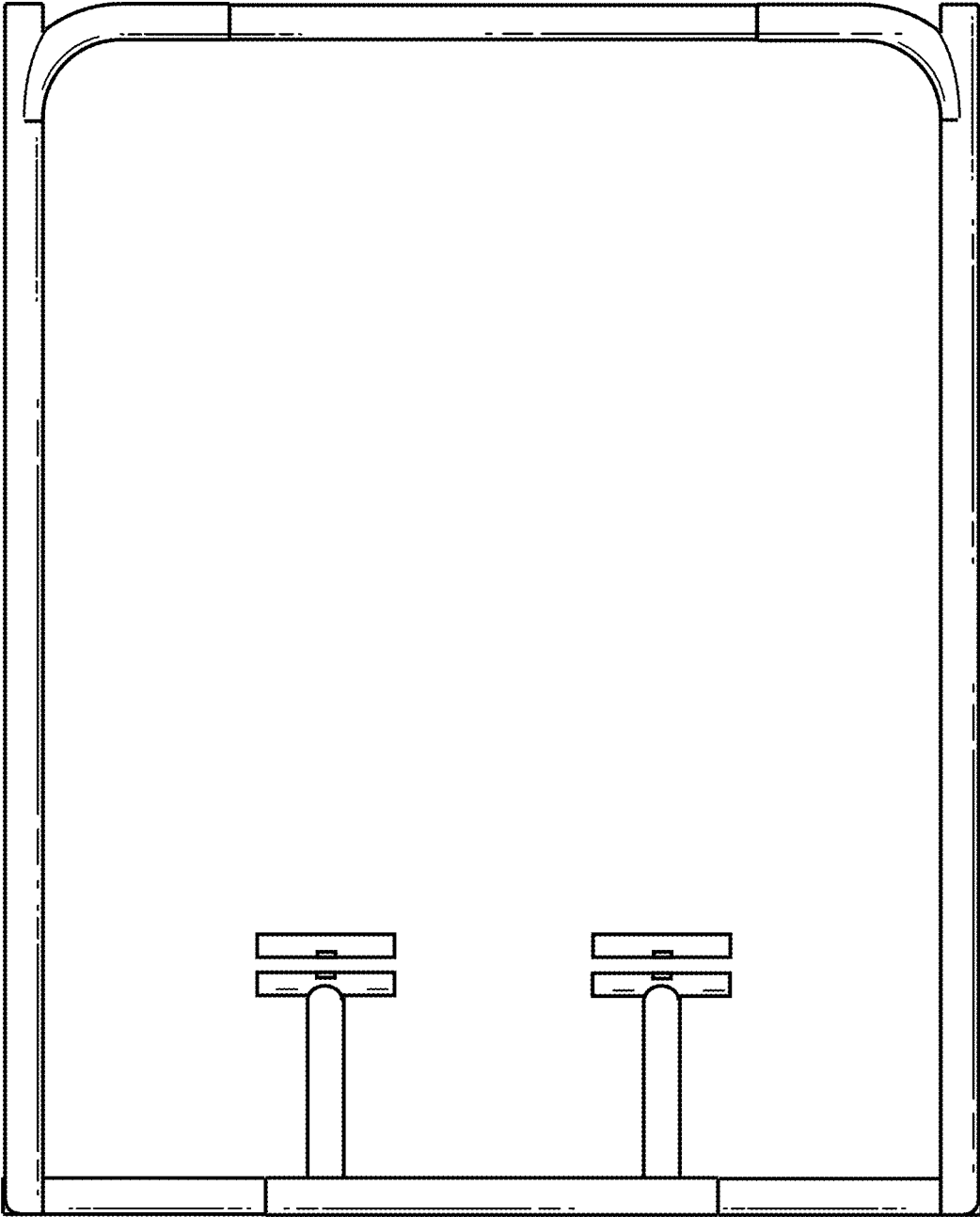


FIG. 5

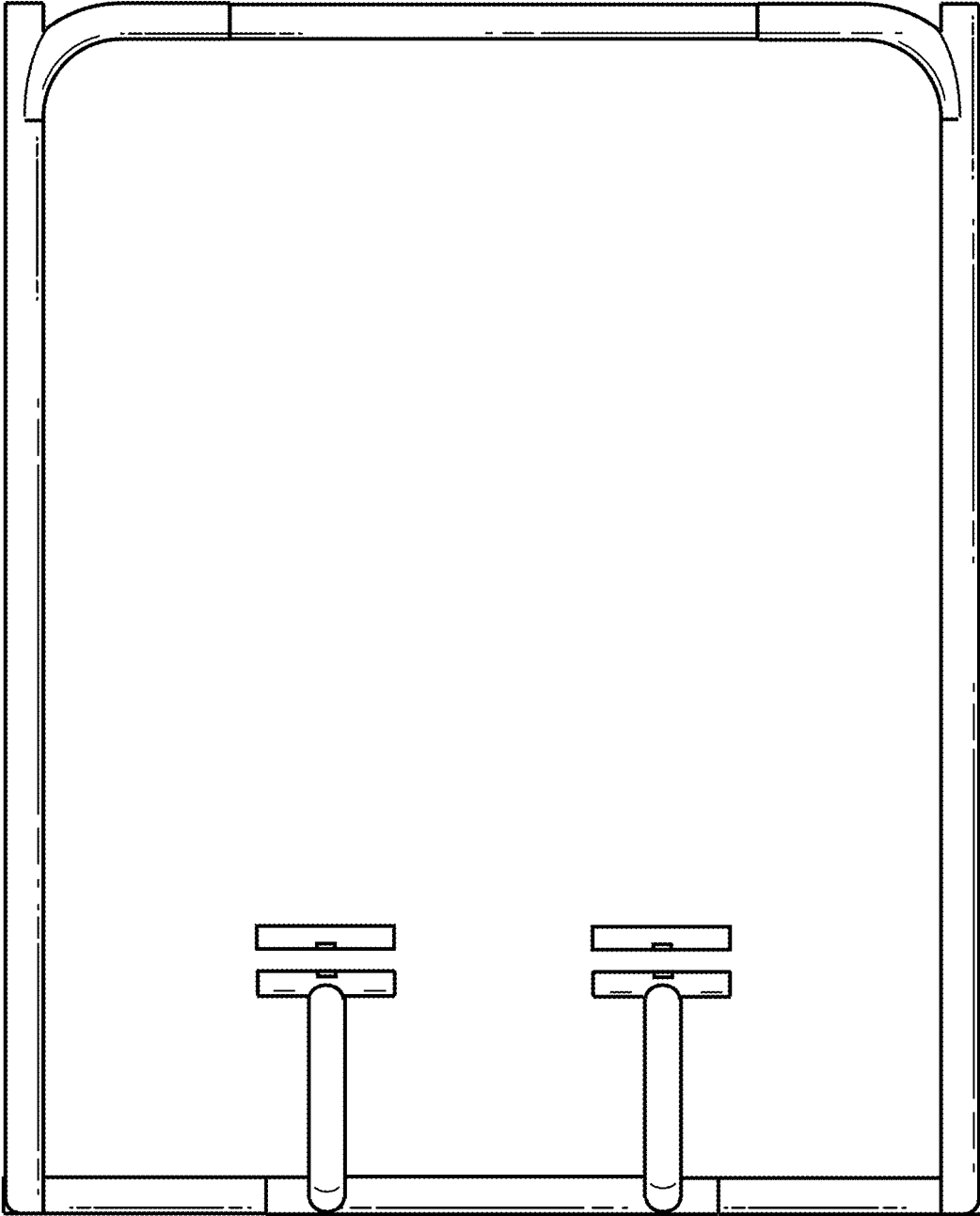


FIG. 6

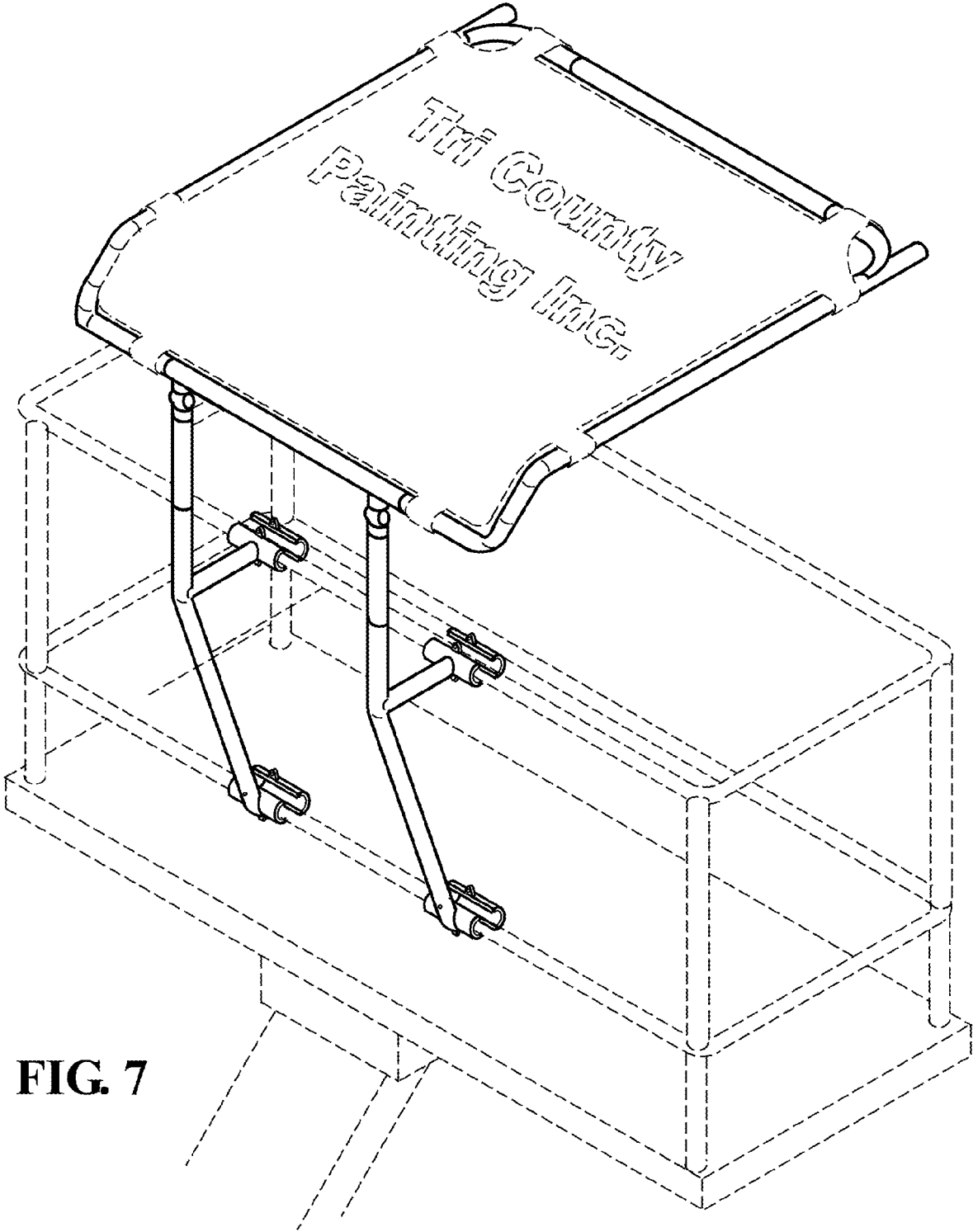


FIG. 7

