



(12) **United States Design Patent**
Hsu et al.

(10) **Patent No.:** **US D816,670 S**
(45) **Date of Patent:** **** May 1, 2018**

- (54) **HEADSET**
- (71) Applicant: **Disney Enterprises, Inc.**, Burbank, CA (US)
- (72) Inventors: **Jonathan R. Hsu**, Pomona, CA (US); **Paulo Kang**, Burbank, CA (US); **John Peter Fiscella**, Valencia, CA (US)
- (73) Assignee: **Disney Enterprises, Inc.**, Burbank, CA (US)
- (**) Term: **15 Years**
- (21) Appl. No.: **29/580,176**
- (22) Filed: **Oct. 6, 2016**
- (51) **LOC (11) Cl.** **14-02**
- (52) **U.S. Cl.**
USPC **D14/372**
- (58) **Field of Classification Search**
USPC D14/372, 496, 432, 371, 125, 126, 129, 14/299; D16/300-342; 351/158, 153, 351/144; 345/7-9, 905; 455/344; 348/115, 53, 121, 739
CPC G02B 27/017; G02B 27/0158; G02B 27/0161; G02B 27/0181; G02B 27/0185; G02B 27/0189
See application file for complete search history.

D771,625 S	11/2016	Sullivan et al.	
D771,626 S	11/2016	Ko	
D771,627 S	11/2016	Ko	
D776,111 S *	1/2017	Baldassi D14/372
D781,290 S *	3/2017	Kim D14/372
D792,399 S *	7/2017	Thomas D14/372
D798,863 S *	10/2017	Li D14/372
D799,482 S *	10/2017	Thomas D14/372
D800,116 S *	10/2017	Yee D14/372
D800,117 S *	10/2017	Yee D14/372
D800,726 S *	10/2017	Su D14/372
D801,969 S *	11/2017	Yee D14/372

* cited by examiner

Primary Examiner — Austin Murphy

(74) *Attorney, Agent, or Firm* — Patterson + Sheridan, LLP

(57) **CLAIM**

The ornamental design for a headset, as shown and described.

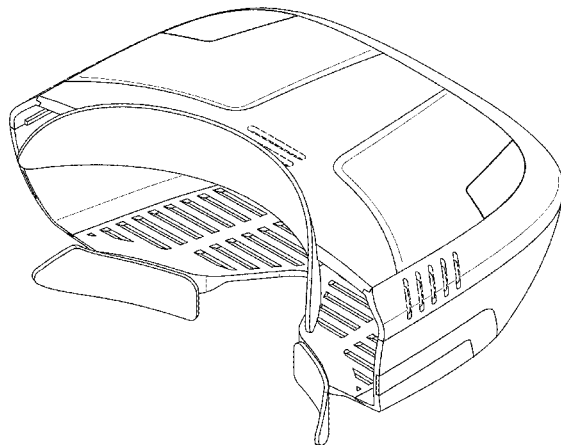
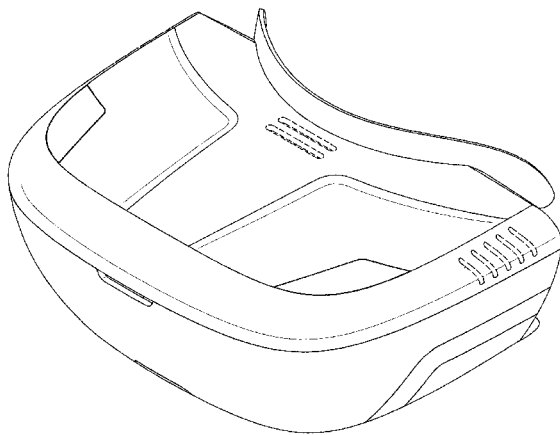
DESCRIPTION

FIG. 1 is a top front perspective view of a headset showing our new design;
 FIG. 2 is a top rear perspective view thereof;
 FIG. 3 is a bottom front perspective view thereof;
 FIG. 4 is a bottom rear perspective view thereof;
 FIG. 5 is a front elevational view thereof;
 FIG. 6 is a right side elevational view thereof;
 FIG. 7 is a rear elevational view thereof;
 FIG. 8 is a left side elevational view thereof;
 FIG. 9 is a top plan view thereof; and,
 FIG. 10 is a bottom plan view thereof.

The portions illustrated in broken lines form no part of the claimed design.

1 Claim, 10 Drawing Sheets

- (56) **References Cited**
U.S. PATENT DOCUMENTS
- D753,113 S 4/2016 Fei et al.
- D759,654 S * 6/2016 Sullivan D14/372
- D764,466 S * 8/2016 Kim D14/372
- D765,074 S * 8/2016 Katopis D14/372
- D766,896 S 9/2016 Li et al.



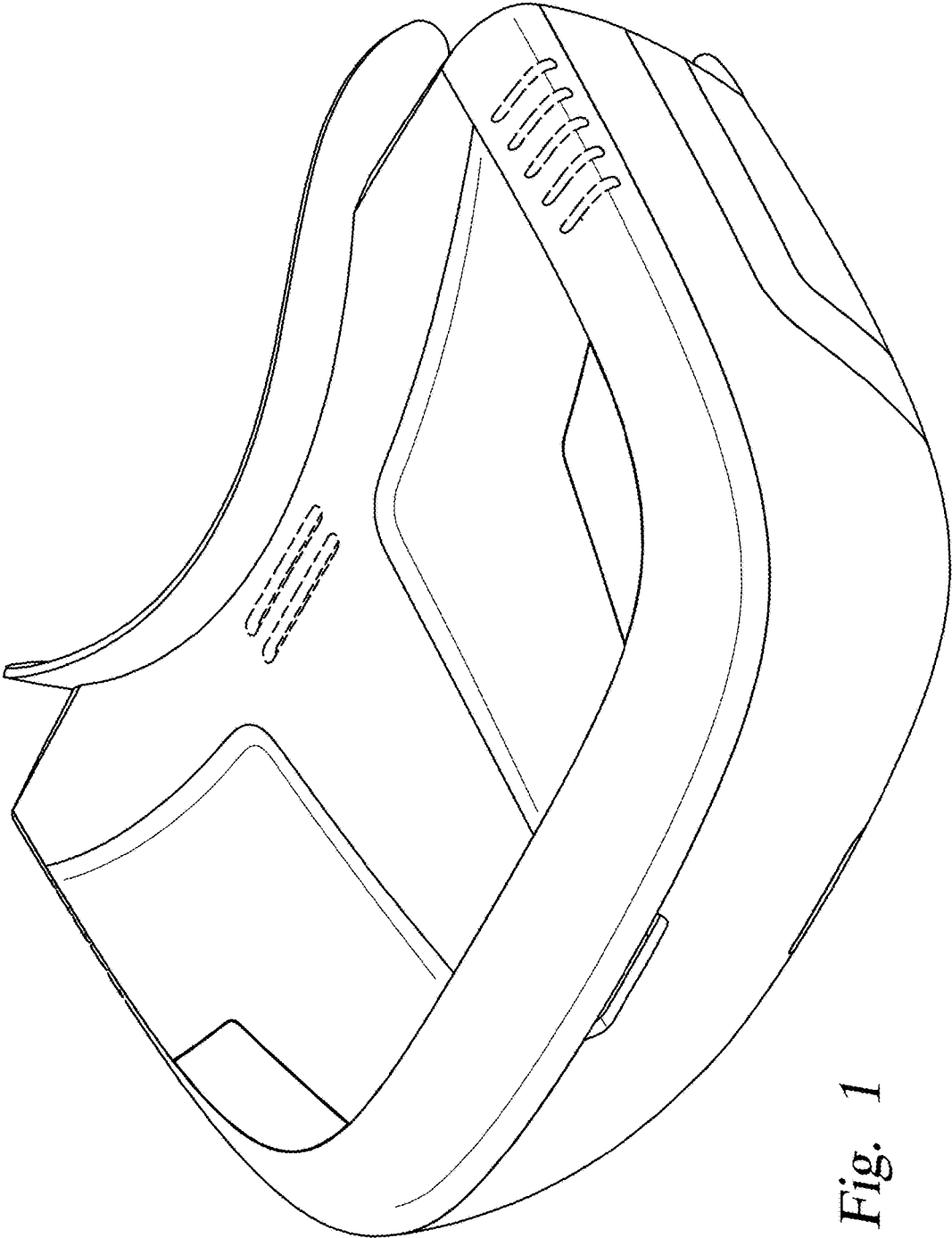


Fig. 1

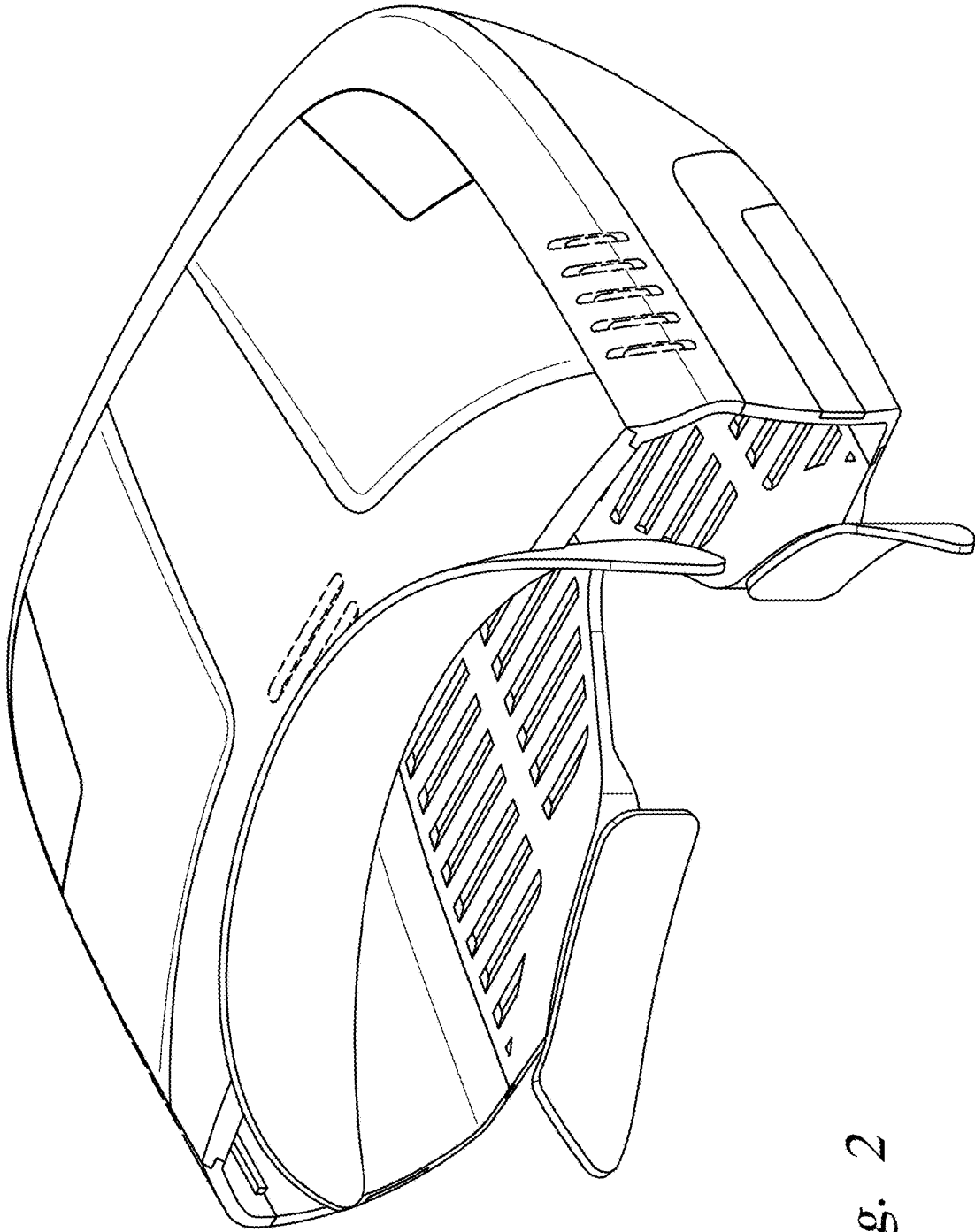


Fig. 2

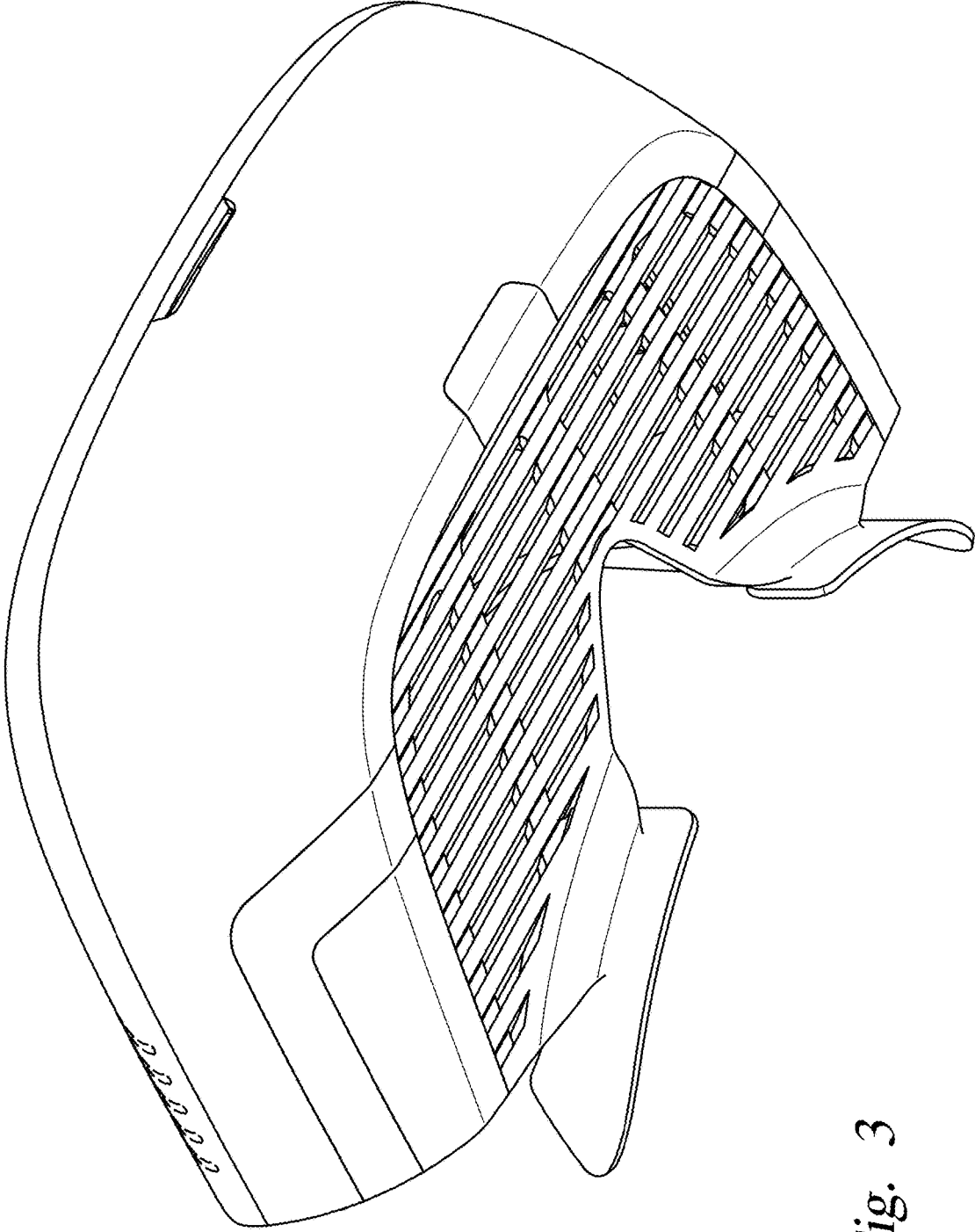


Fig. 3

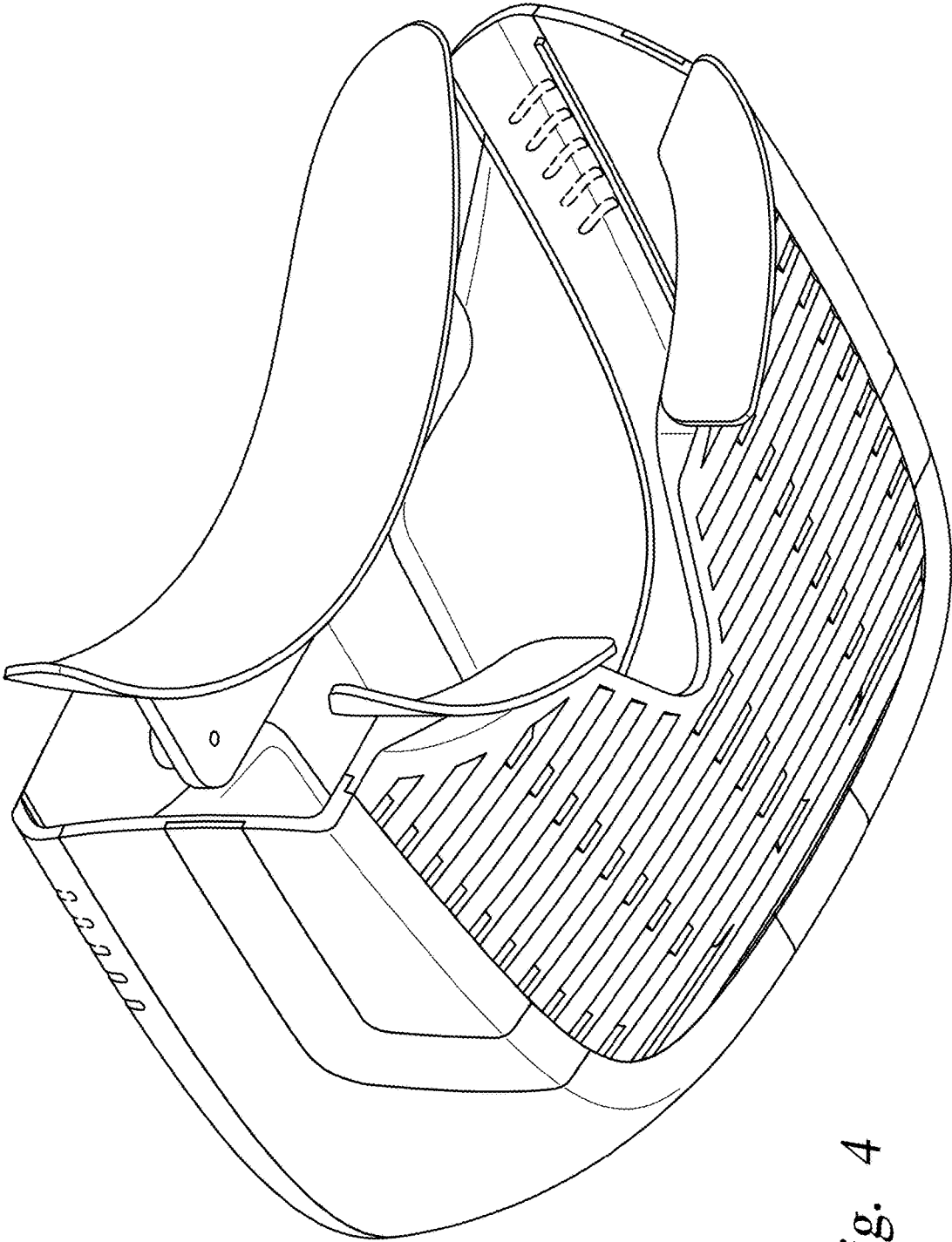


Fig. 4

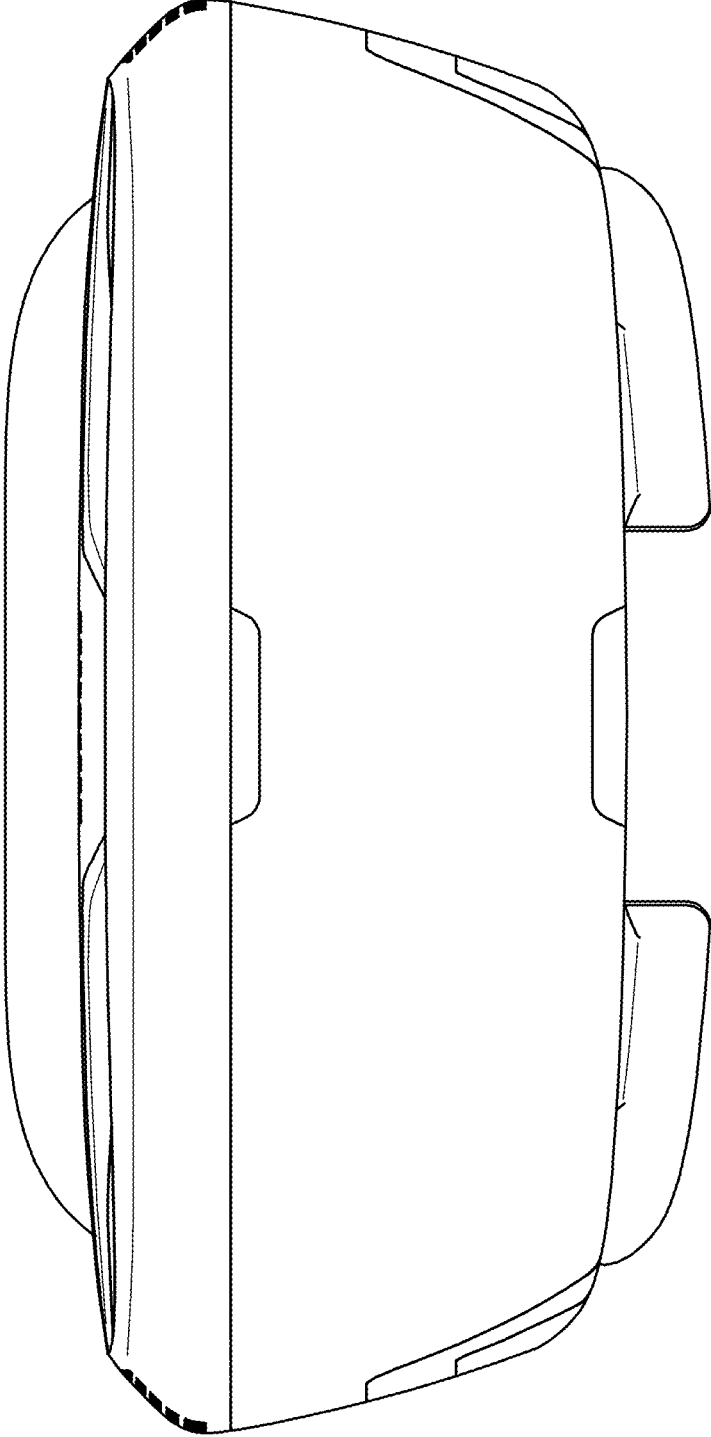


Fig. 5

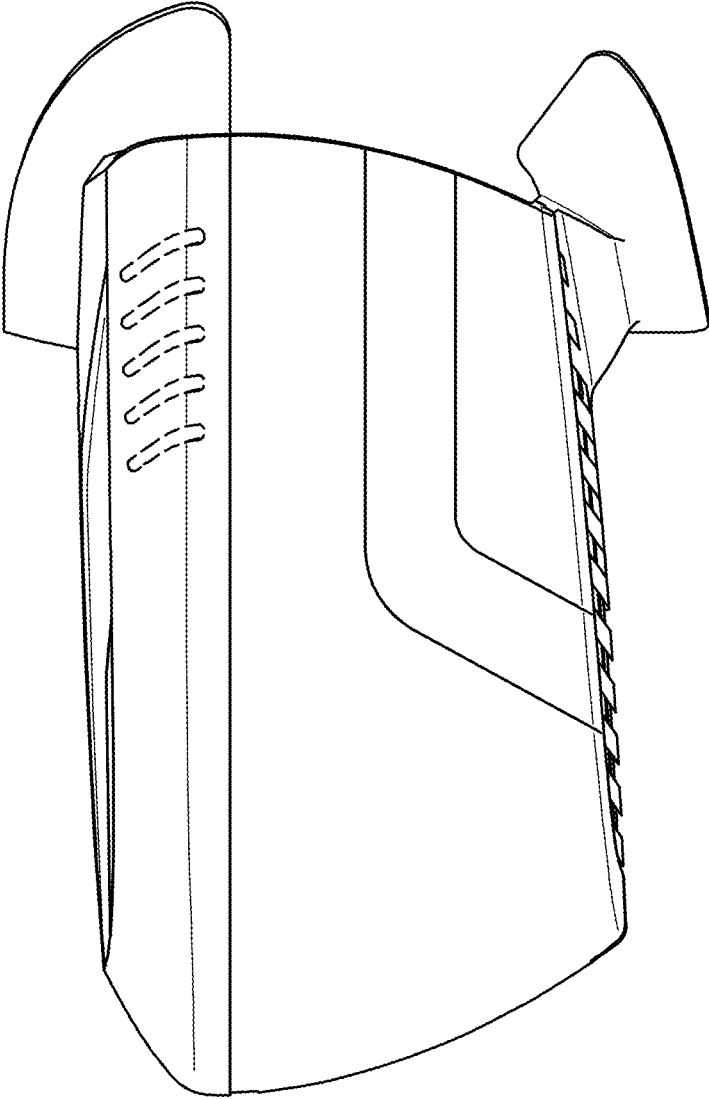


Fig. 6

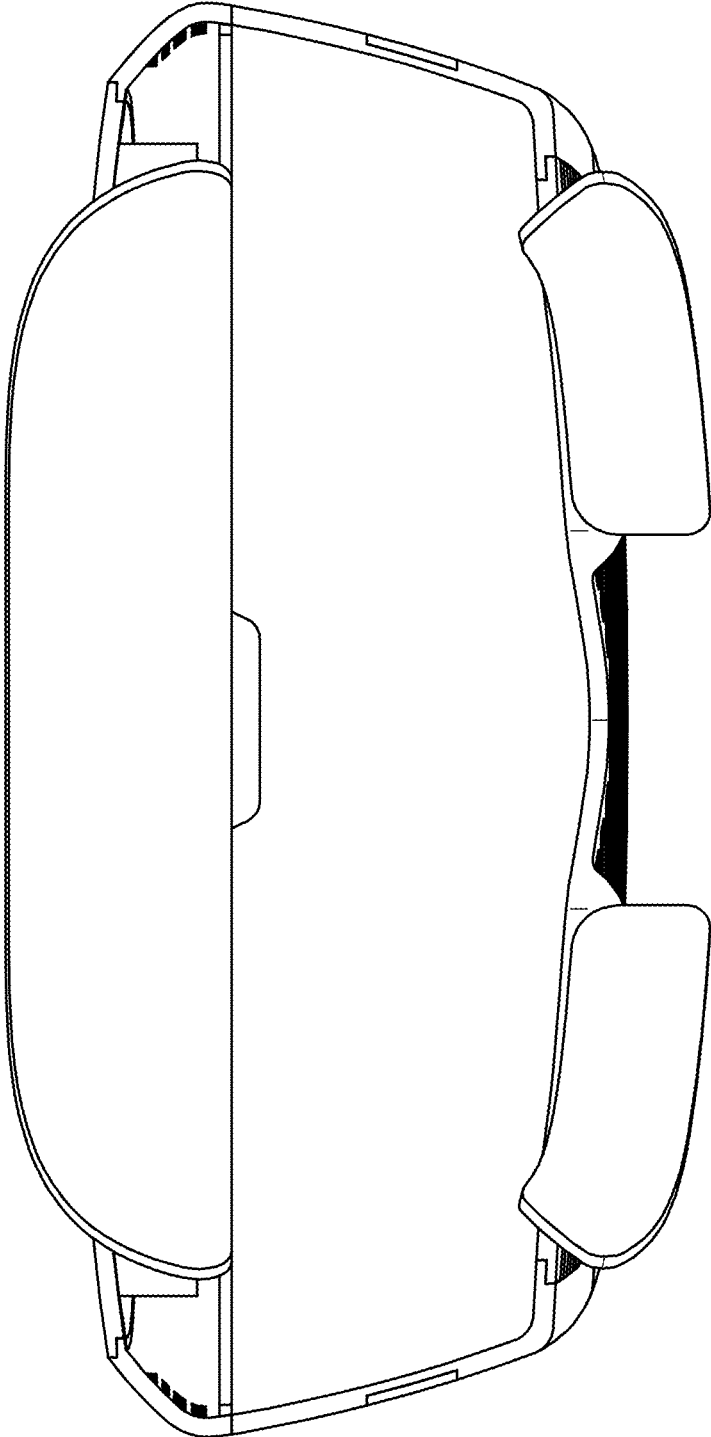


Fig. 7

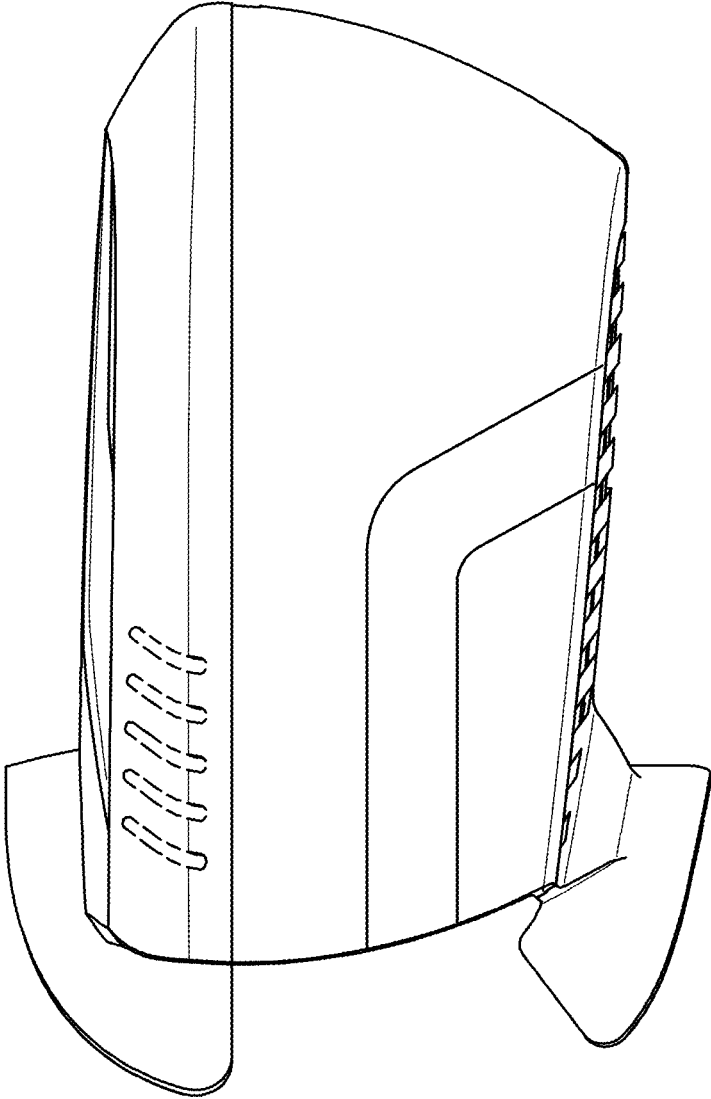


Fig. 8

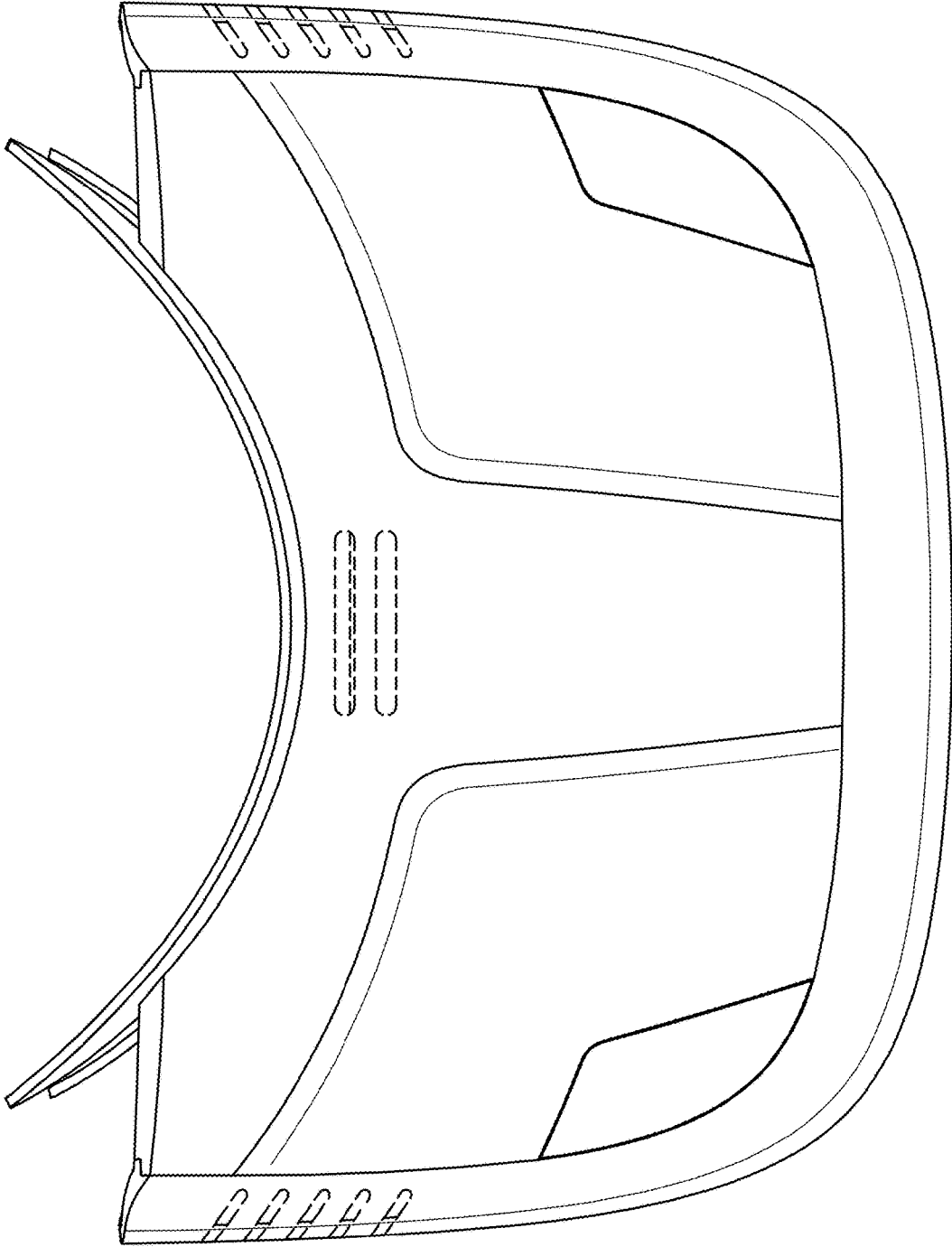


Fig. 9

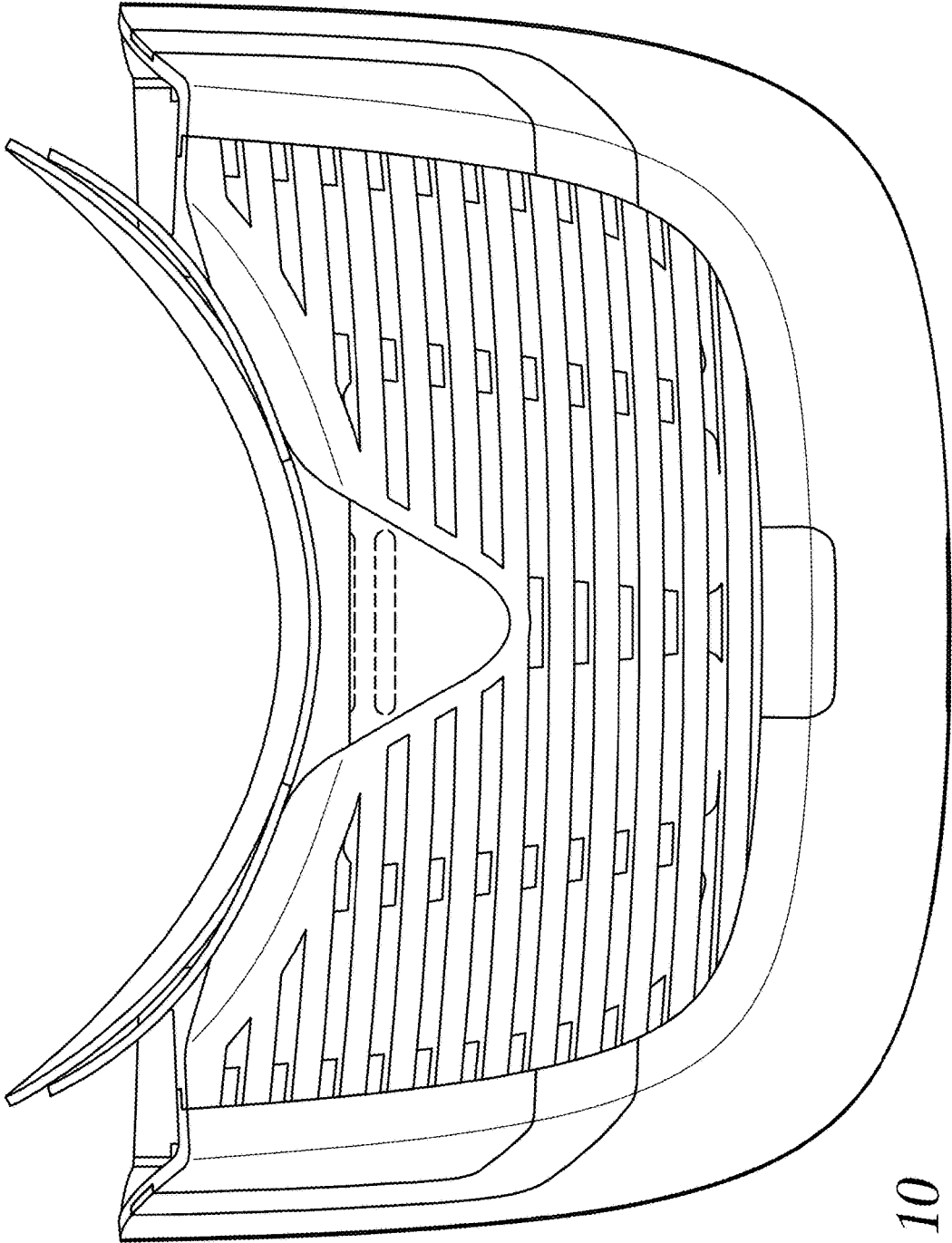


Fig. 10