



(43) International Publication Date  
9 February 2012 (09.02.2012)

- (51) International Patent Classification:  
*F41G 1/387* (2006.01)    *F41G 3/16* (2006.01)
- (21) International Application Number:  
PCT/US2011/046262
- (22) International Filing Date:  
2 August 2011 (02.08.2011)
- (25) Filing Language: English
- (26) Publication Language: English
- (30) Priority Data:  
61/370,591    4 August 2010 (04.08.2010)    US  
13/196,180    2 August 2011 (02.08.2011)    US
- (71) Applicant (for all designated States except US):  
**TRIJICON, INC.** [US/US]; 49385 Shafer Avenue, Wixom, Michigan 48393 (US).
- (72) Inventors; and
- (75) Inventors/Applicants (for US only): **MAURICIO, Jeremiah** [US/US]; 3593 Crestone Way, Tecumseh, Michigan 49286 (US). **HORVATH, Anthony, M.** [US/US]; 7115 Elmwood Road, Temperance, Michigan 48182 (US). **HANEY, Edward, J.** [US/US]; 13230 Seymour Road, Gaines, Michigan 48436 (US). **LISTER, Mark, William** [US/US]; 2828 Tyler Avenue, Berkley, Michigan 48072 (US).

(74) Agents: **WADE, Bryant, E.** et al.; Harness, Dickey & Pierce, P.L.C., P.O. Box 828, Bloomfield Hills, Michigan 48303 (US).

(81) Designated States (unless otherwise indicated, for every kind of national protection available): AE, AG, AL, AM, AO, AT, AU, AZ, BA, BB, BG, BH, BR, BW, BY, BZ, CA, CH, CL, CN, CO, CR, CU, CZ, DE, DK, DM, DO, DZ, EC, EE, EG, ES, FI, GB, GD, GE, GH, GM, GT, HN, HR, HU, ID, IL, IN, IS, JP, KE, KG, KM, KN, KP, KR, KZ, LA, LC, LK, LR, LS, LT, LU, LY, MA, MD, ME, MG, MK, MN, MW, MX, MY, MZ, NA, NG, NI, NO, NZ, OM, PE, PG, PH, PL, PT, RO, RS, RU, SC, SD, SE, SG, SK, SL, SM, ST, SV, SY, TH, TJ, TM, TN, TR, TT, TZ, UA, UG, US, UZ, VC, VN, ZA, ZM, ZW.

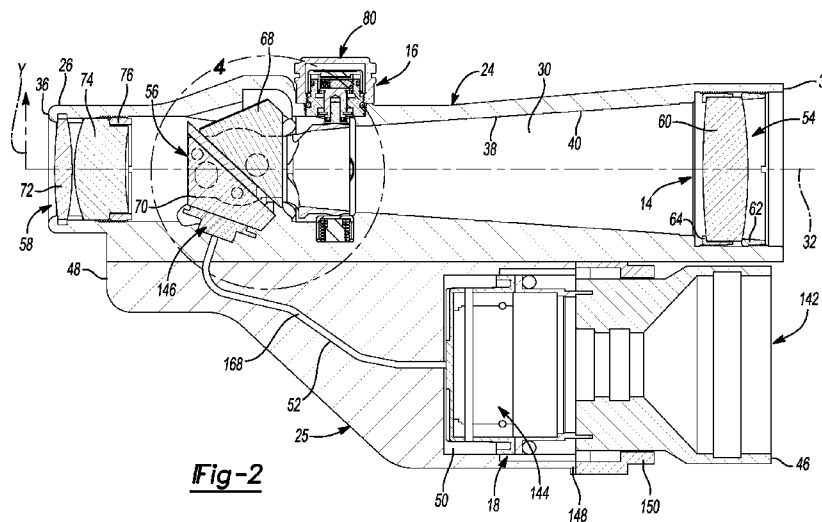
(84) Designated States (unless otherwise indicated, for every kind of regional protection available): ARIPO (BW, GH, GM, KE, LR, LS, MW, MZ, NA, SD, SL, SZ, TZ, UG, ZM, ZW), Eurasian (AM, AZ, BY, KG, KZ, MD, RU, TJ, TM), European (AL, AT, BE, BG, CH, CY, CZ, DE, DK, EE, ES, FI, FR, GB, GR, HR, HU, IE, IS, IT, LT, LU, LV, MC, MK, MT, NL, NO, PL, PT, RO, RS, SE, SI, SK, SM, TR), OAPI (BF, BJ, CF, CG, CI, CM, GA, GN, GQ, GW, ML, MR, NE, SN, TD, TG).

**Published:**

— with international search report (Art. 21(3))

(88) Date of publication of the international search report:  
12 July 2012

(54) Title: FUSED OPTIC



**Fig-2**

(57) Abstract: An optical sight is provided and may include an optics train having at least one prism with a first surface, a display associated with the first surface to selectively supply the first surface with an image, and a processor in communication with the display to provide the display with the image. An infrared camera may be in communication with the processor and may provide the processor with thermal-energy data for use by the processor in generating the image.



WO 2012/018812 A3

**A. CLASSIFICATION OF SUBJECT MATTER***F41G 1/387(2006.01)i, F41G 3/16(2006.01)i*

According to International Patent Classification (IPC) or to both national classification and IPC

**B. FIELDS SEARCHED**

Minimum documentation searched (classification system followed by classification symbols)

F41G 1/387; F41G 3/22; F41G 1/40; F41G 7/24; F41G 1/38; F41G 1/00

Documentation searched other than minimum documentation to the extent that such documents are included in the fields searched

Korean utility models and applications for utility models

Japanese utility models and applications for utility models

Electronic data base consulted during the international search (name of data base and, where practicable, search terms used)

eKOMPASS(KIPO internal) &amp; Keywords: "optical sight", "display", "processor" and "infrared camera"

**C. DOCUMENTS CONSIDERED TO BE RELEVANT**

Category*	Citation of document, with indication, where appropriate, of the relevant passages	Relevant to claim No.
X	US 05339720A A (PELLARIN; JEAN-FRANCOIS R. et al.) 23 August 1994	7-16
Y	See column 2, line 19 - column 6, line 16; and fig.1,3.	1-6,17-22
Y	US 2009-0193704 A1 (POCHAPSKY EUGENE et al.) 06 August 2009 See abstract and fig.2.	1-6,17-22
A	US 6530782 B2 (FOUSE; TIMOTHY M. et al.) 11 March 2003 See abstract and fig.1.	1-22
A	US 2009-0095837 A1 (LINDGREN MIKAEL) 16 April 2009 See abstract and fig.1.	1-22

 Further documents are listed in the continuation of Box C. See patent family annex.

\* Special categories of cited documents:

"A" document defining the general state of the art which is not considered to be of particular relevance

"E" earlier application or patent but published on or after the international filing date

"L" document which may throw doubts on priority claim(s) or which is cited to establish the publication date of citation or other special reason (as specified)

"O" document referring to an oral disclosure, use, exhibition or other means

"P" document published prior to the international filing date but later than the priority date claimed

"T" later document published after the international filing date or priority date and not in conflict with the application but cited to understand the principle or theory underlying the invention

"X" document of particular relevance; the claimed invention cannot be considered novel or cannot be considered to involve an inventive step when the document is taken alone

"Y" document of particular relevance; the claimed invention cannot be considered to involve an inventive step when the document is combined with one or more other such documents, such combination being obvious to a person skilled in the art

"&amp;" document member of the same patent family

Date of the actual completion of the international search

29 MARCH 2012 (29.03.2012)

Date of mailing of the international search report

**06 APRIL 2012 (06.04.2012)**

Name and mailing address of the ISA/KR

Korean Intellectual Property Office  
Government Complex-Daejeon, 189 Cheongsa-ro,  
Seo-gu, Daejeon 302-701, Republic of Korea

Facsimile No. 82-42-472-7140

Authorized officer

HAN, JAE SEOB

Telephone No. 82-42-481-5439



**INTERNATIONAL SEARCH REPORT**

Information on patent family members

International application No.

**PCT/US2011/046262**

Patent document cited in search report	Publication date	Patent family member(s)	Publication date
US 05339720A A	23.08.1994	EP 0441079 A2	14.08.1991
		EP 0441079 A3	21.08.1991
		EP 0441079 B1	18.08.1993
		US 05204489A A	20.04.1993
US 2009-0193704 A1	06.08.2009	US 2011-0113671 A1	19.05.2011
		US 7051469 B1	30.05.2006
		US 7827727 B2	09.11.2010
US 6530782 B2	11.03.2003	US 2002-123025 A1	05.09.2002
US 2009-0095837 A1	16.04.2009	AU 2008-201779 A1	27.11.2008
		EP 1995549 A1	26.11.2008
		EP 2112456 A2	28.10.2009
		EP 2112456 A3	30.12.2009
		US 7868277 B2	11.01.2011
		ZA200803852A	24.06.2009