



US00D716626S

(12) **United States Design Patent**  
**Sell et al.**

(10) **Patent No.:** **US D716,626 S**

(45) **Date of Patent:** **\*\* Nov. 4, 2014**

(54) **DRILL**

(71) Applicant: **Black & Decker Inc.**, Newark, DE (US)

(72) Inventors: **Stefan Sell**, Mainz (DE); **Isabell Rosenau**, Frankfurt am Main (DE)

(73) Assignee: **Black & Decker Inc.**, Newark, DE (US)

(\*\*) Term: **14 Years**

(21) Appl. No.: **29/470,899**

(22) Filed: **Oct. 25, 2013**

(30) **Foreign Application Priority Data**

May 2, 2013 (EM) ..... 001369953

(51) **LOC (10) Cl.** ..... **08-04**

(52) **U.S. Cl.**  
USPC ..... **D8/69**

(58) **Field of Classification Search**  
USPC ..... D8/14.1, 61-70; 81/429, 454-456, 469,  
81/489; 173/104, 114, 168-171, 178, 201,  
173/211, 213, 217; 408/20, 124, 125, 234;  
388/809

See application file for complete search history.

(56) **References Cited**

**U.S. PATENT DOCUMENTS**

D491,438 S *	6/2004	Cheung et al.	D8/68
D525,849 S *	8/2006	Hayakawa et al.	D8/69
D555,451 S *	11/2007	Okuda et al.	D8/69
D575,606 S *	8/2008	Okouchi et al.	D8/69
D581,235 S *	11/2008	Aglassinger	D8/69
D587,547 S *	3/2009	Aglassinger	D8/69
D592,028 S *	5/2009	Taniguchi et al.	D8/69

D595,101 S *	6/2009	Bast	D8/68
D604,583 S *	11/2009	Yamamoto et al.	D8/69
D610,478 S *	2/2010	Bast	D10/69
D618,529 S *	6/2010	Stirm	D8/69
D663,183 S *	7/2012	Sell	D8/69
2009/0301746 A1 *	12/2009	Robieu	173/217

**OTHER PUBLICATIONS**

“Bosch GBH Professional—36 V-LI/36 VF-LI”. Tool Stop., Aug. 9, 2008 [online], [retrieved on Mar. 11, 2014]. Retrieved from the Internet <URL: [http://www.toolstop.co.uk/media/ren\\_48aa9dc797862GBH36edited.pdf](http://www.toolstop.co.uk/media/ren_48aa9dc797862GBH36edited.pdf)>.\*

“Milwaukee Heavy-Duty Rotary Hammers and Demolition Hammers”. Milwaukee Operators Manual., Sep. 3, 2010 [online], [retrieved on Mar. 11, 2014]. Retrieved from the Internet <URL: <http://documents.milwaukeetool.com/58-14-5426d3.pdf>>.\*

\* cited by examiner

*Primary Examiner* — Philip S Hyder

*Assistant Examiner* — Darlington Ly

(74) *Attorney, Agent, or Firm* — Gabriel A. Haboubi

(57) **CLAIM**

The ornamental design for a drill, as shown and described.

**DESCRIPTION**

FIG. 1 is a right front perspective view of our new design.

FIG. 2 is a left side view thereof.

FIG. 3 is a right side view thereof.

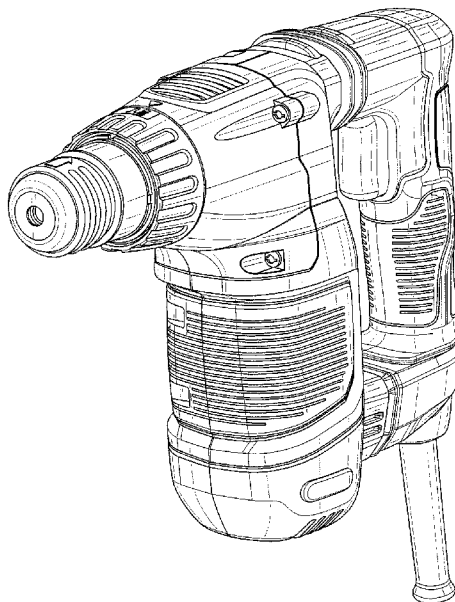
FIG. 4 is a bottom view thereof.

FIG. 5 is a top view thereof.

FIG. 6 is a front view thereof; and,

FIG. 7 is a rear view thereof.

**1 Claim, 7 Drawing Sheets**



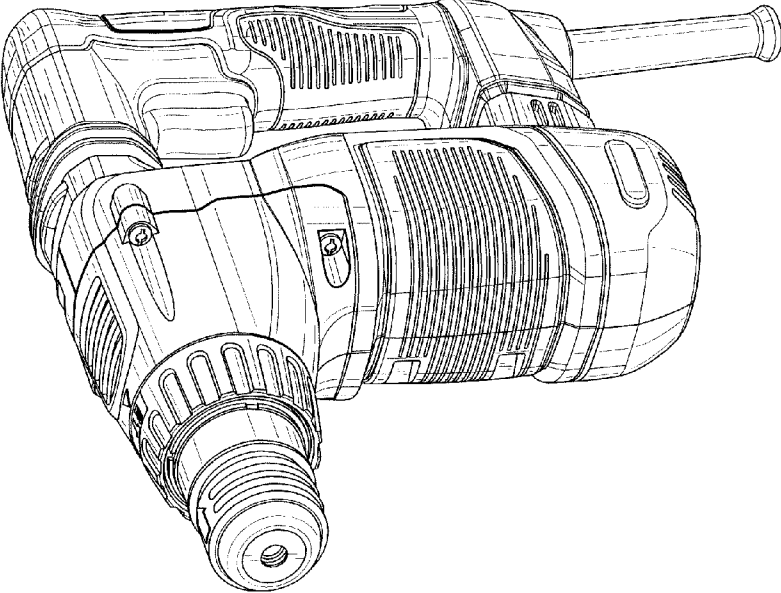


FIG. 1

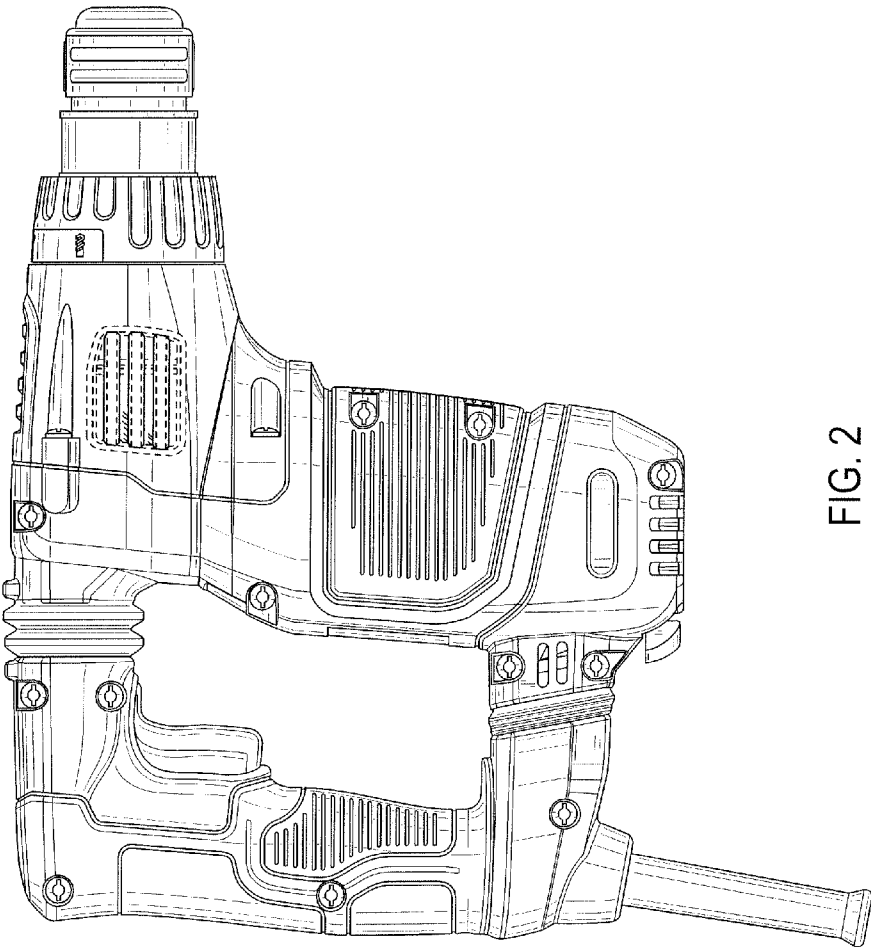


FIG. 2

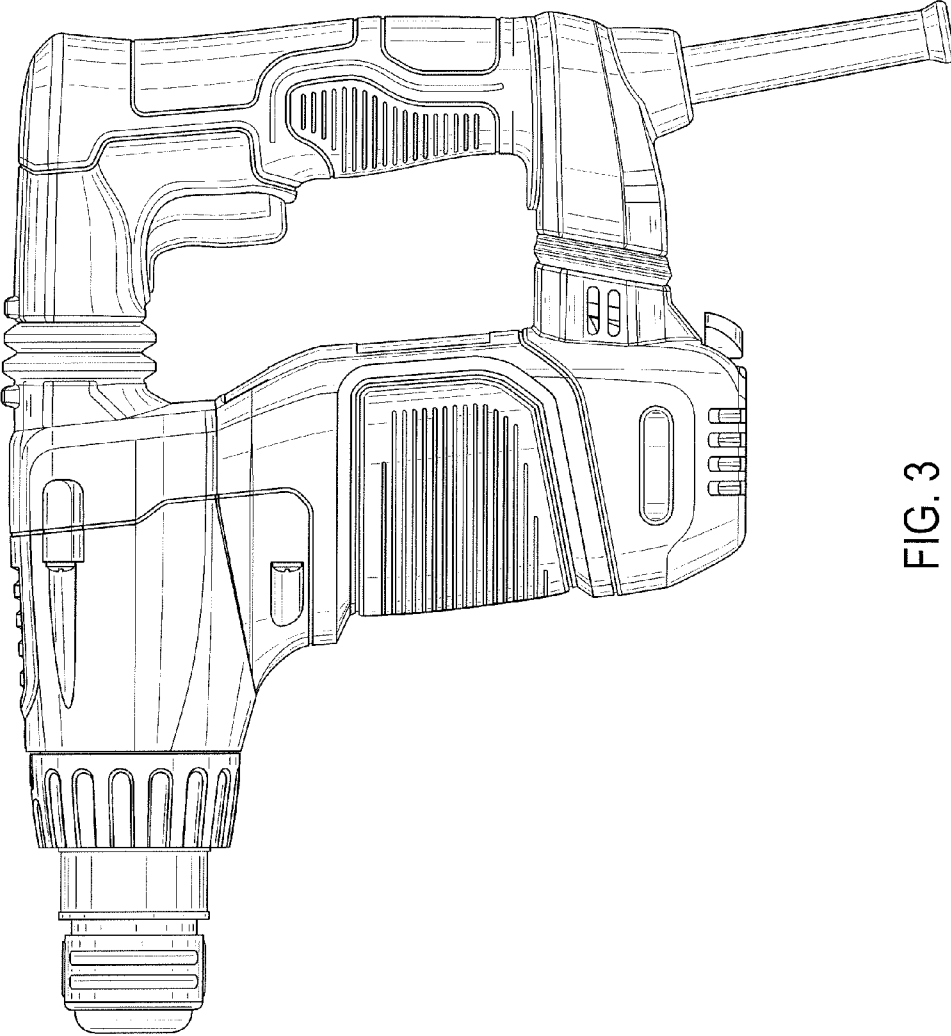


FIG. 3

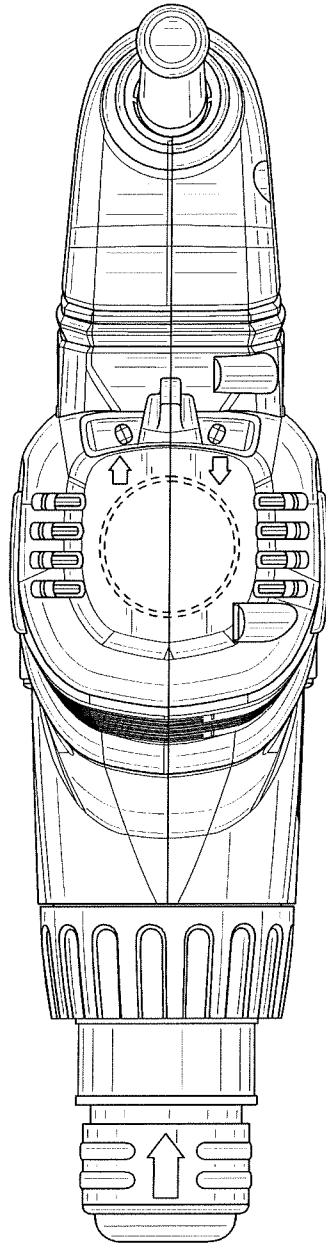


FIG. 4

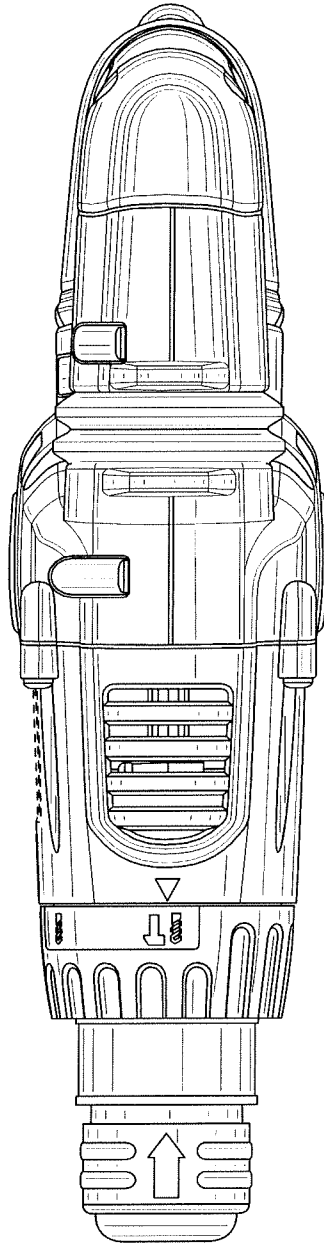


FIG. 5

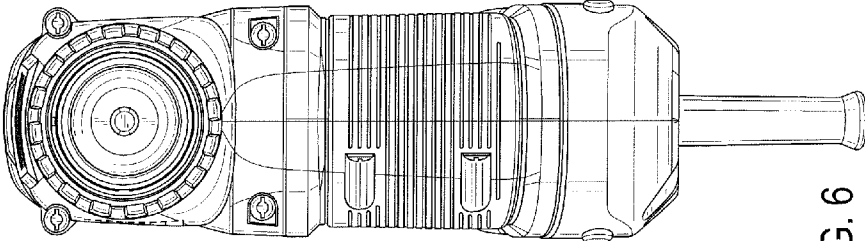


FIG. 6

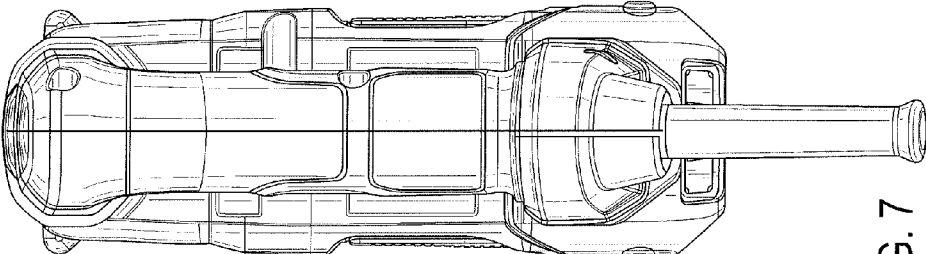


FIG. 7