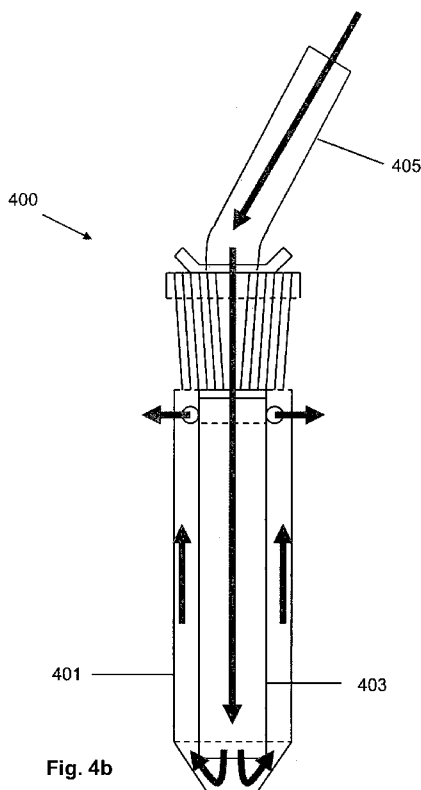




- (51) International Patent Classification:  
A61B 5/097 (2006.01)
- (21) International Application Number:  
PCT/IB2008/003528
- (22) International Filing Date:  
21 November 2008 (21.11.2008)
- (25) Filing Language: English
- (26) Publication Language: English
- (30) Priority Data:  
07254527.0 21 November 2007 (21.11.2007) EP
- (71) Applicant (for all designated States except US): PHILIP MORRIS PRODUCTS S.A. [CH/CH]; Quai Jeanrenaud 3, CH-2000 Neuchâtel (CH).
- (72) Inventors: VAN, MIERT, Erik; Ruisbroekstraat 4, B-3360 Bierbeek (BE). SCHOONJANS, Kristof; Daalstraat 215, B-1790 Affligem (BE).
- (74) Agent: BRADFORD, Victoria, Sophie; Reddie & Grose, 16 Theobalds Road, London WC1X 8PL (GB).
- (81) Designated States (unless otherwise indicated, for every kind of national protection available): AE, AG, AL, AM, AO, AT, AU, AZ, BA, BB, BG, BH, BR, BW, BY, BZ, CA, CH, CN, CO, CR, CU, CZ, DE, DK, DM, DO, DZ, EC, EE, EG, ES, FI, GB, GD, GE, GH, GM, GT, HN, HR, HU, ID, IL, IN, IS, JP, KE, KG, KM, KN, KP, KR, KZ, LA, LC, LK, LR, LS, LT, LU, LY, MA, MD, ME, MG, MK, MN, MW, MX, MY, MZ, NA, NG, NI, NO, NZ, OM, PG, PH, PL, PT, RO, RS, RU, SC, SD, SE, SG, SK, SL, SM, ST, SV, SY, TJ, TM, TN, TR, TT, TZ, UA, UG, US, UZ, VC, VN, ZA, ZM, ZW.
- (84) Designated States (unless otherwise indicated, for every kind of regional protection available): ARIPO (BW, GH, GM, KE, LS, MW, MZ, NA, SD, SL, SZ, TZ, UG, ZM, ZW), Eurasian (AM, AZ, BY, KG, KZ, MD, RU, TJ, TM), European (AT, BE, BG, CH, CY, CZ, DE, DK, EE, ES, FI, FR, GB, GR, HR, HU, IE, IS, IT, LT, LU, LV, MC, MT, NL, NO, PL, PT, RO, SE, SI, SK, TR), OAPI

[Continued on next page]

(54) Title: EXHALED BREATH CONDENSER



(57) Abstract: There is provided a breath condenser and a collection receptacle for receiving exhaled breath and collecting exhaled breath condensate. The collection receptacle comprises an outer cylinder having a sealed end and an inner cylinder having an inlet at a first end for receiving exhaled breath and an outlet at a second end. The inner cylinder is housed at least partially within the outer cylinder, the outlet of the inner cylinder being located toward the sealed end of the outer cylinder. In use, exhaled breath passes through the inlet, along the inner cylinder, through the outlet and along the outer cylinder, and condensate forms at least on the inside of the outer cylinder. The inner and outer cylinders are adapted to be used concomitantly in a centrifuge to accumulate the condensate in the bottom of the outer cylinder. The inner cylinder may be removable from the outer cylinder. The breath condenser comprises a cooling block for at least partially receiving the collection receptacle. When the collection receptacle is at least partially received within the cooling block, an outer surface of an outer wall of the receptacle is in contact with the cooling block and an inner surface of the outer wall is in contact with the exhaled breath.



(BF, BJ, CF, CG, CI, CM, GA, GN, GQ, GW, ML, MR, NE, SN, TD, TG).

— before the expiration of the time limit for amending the claims and to be republished in the event of receipt of amendments (Rule 48.2(h))

**Published:**

— with international search report (Art. 21(3))

**(88) Date of publication of the international search report:**

10 December 2009

INTERNATIONAL SEARCH REPORT

International application No  
PCT/IB2008/003528

A. CLASSIFICATION OF SUBJECT MATTER  
INV. A61B5/097

According to International Patent Classification (IPC) or to both national classification and IPC

B. FIELDS SEARCHED

Minimum documentation searched (classification system followed by classification symbols)  
A61B G01N

Documentation searched other than minimum documentation to the extent that such documents are included in the fields searched

Electronic data base consulted during the international search (name of data base and, where practical, search terms used)

EPO-Internal, WPI Data, PAJ

C. DOCUMENTS CONSIDERED TO BE RELEVANT

Category*	Citation of document, with indication, where appropriate, of the relevant passages	Relevant to claim No.
X	JP 2004 361160 A (TERAMECS CO LTD; MITSUBISHI KAGAKU BIO CLINICAL) 24 December 2004 (2004-12-24) abstract; figure 1 paragraphs [0007], [0009], [0012], [0014], [0023], [0027]	1-9
X	DE 200 01 995 U1 (FILT FORSCHUNGSGESELLSCHAFT FU [DE]) 13 July 2000 (2000-07-13) abstract; figure 1 page 3, lines 7-32 page 4, lines 20-25 page 5, lines 15-27	1-6

Further documents are listed in the continuation of Box C.

See patent family annex.

\* Special categories of cited documents:

- \*A\* document defining the general state of the art which is not considered to be of particular relevance
- \*E\* earlier document but published on or after the international filing date
- \*L\* document which may throw doubts on priority claim(s) or which is cited to establish the publication date of another citation or other special reason (as specified)
- \*O\* document referring to an oral disclosure, use, exhibition or other means
- \*P\* document published prior to the international filing date but later than the priority date claimed

- \*T\* later document published after the international filing date or priority date and not in conflict with the application but cited to understand the principle or theory underlying the invention
- \*X\* document of particular relevance; the claimed invention cannot be considered novel or cannot be considered to involve an inventive step when the document is taken alone
- \*Y\* document of particular relevance; the claimed invention cannot be considered to involve an inventive step when the document is combined with one or more other such documents, such combination being obvious to a person skilled in the art.
- \*Z\* document member of the same patent family

Date of the actual completion of the international search

22 October 2009

Date of mailing of the international search report

28/10/2009

Name and mailing address of the ISA/

European Patent Office, P.B. 5818 Patentlaan 2  
NL - 2280 HV Rijswijk  
Tel. (+31-70) 340-2040.  
Fax: (+31-70) 340-3016

Authorized officer

Medeiros Gaspar, Ana

## INTERNATIONAL SEARCH REPORT

International application No  
PCT/IB2008/003528

C(Continuation). DOCUMENTS CONSIDERED TO BE RELEVANT		
Category*	Citation of document, with indication, where appropriate, of the relevant passages	Relevant to claim No.
X	WO 2006/043290 A (VALESI CARLO [IT]) 27 April 2006 (2006-04-27) abstract; claim 1; figure 3 page 7, line 11 - page 8, line 18 page 9; lines 8-14 -----	9
A	DE 197 18 925 A1 (MEDIUM SENSOR GMBH [DE]) 29 October 1998 (1998-10-29) column 2, line 66 - column 3, line 5; claim 7 -----	

# INTERNATIONAL SEARCH REPORT

Information on patent family members

International application No

PCT/IB2008/003528

Patent document cited in search report	Publication date	Patent family member(s)	Publication date
JP 2004361160	A	24-12-2004	NONE
DE 20001995	U1	13-07-2000	NONE
WO 2006043290	A	27-04-2006	NONE
DE 19718925	A1	29-10-1998	NONE