

[54] TOP, BOTTOM, BACK, AND ENDS OF A HOUSING WITH A CARRYING CLIP FOR AN ELECTRONIC BAR CODE READER

[75] Inventors: Michael S. Beard, Pineville, N.C.; James M. DeArras, Richmond, Va.; Allen M. Grayson, Charlotte, N.C.; Vernon L. Stant, Richmond, Va.; Frederick M. Weaver, Charlotte, N.C.

[73] Assignee: Hand Held Products, Charlotte, N.C.

[\*\*] Term: 14 Years

[21] Appl. No.: 879,792

[22] Filed: Jun. 27, 1986

**Related U.S. Application Data**

[63] Continuation of Ser. No. 817,909, Jan. 10, 1986, abandoned.

[52] U.S. Cl. .... D14/116

[58] Field of Search ..... D14/105, 107, 114, 115, D14/116; 235/454, 470, 472; 250/203 R, 566

**References Cited**

**U.S. PATENT DOCUMENTS**

D. 248,946	8/1978	Koenig	.....	D14/116
4,420,682	12/1983	Huber	.....	235/472
4,445,028	4/1984	Huber	.....	235/472
4,471,218	9/1984	Culp	.....	235/472

Primary Examiner—Susan J. Lucas  
Attorney, Agent, or Firm—Bell, Seltzer, Park & Gibson

[57] **CLAIM**

The ornamental design for a top, bottom, back, and ends of a housing with a carrying clip for an electronic bar code reader, substantially as shown and described.

**DESCRIPTION**

FIG. 1 is a back perspective view of the top, bottom,

back, and ends of a housing with carrying clip for an electronic bar code reader showing the new design; FIG. 2 is a back elevational view of the design;

FIG. 3 is a top plan view of the design;

FIG. 4 is a back perspective view of a second embodiment of the design;

FIG. 5 is a back elevational view of this second embodiment;

FIG. 6 is a top plan view of this second embodiment;

FIG. 7 is a back perspective view of a third embodiment of the design;

FIG. 8 is a back elevational view of this third embodiment;

FIG. 9 is a top plan view of this third embodiment;

FIG. 10 is a back perspective view of a fourth embodiment of the design;

FIG. 11 is a back elevational view of this fourth embodiment; and

FIG. 12 is a top plan view of this fourth embodiment.

The end of the housing not shown in the first embodiment (FIGS. 1-3), the second embodiment (FIGS. 4-6), and the third embodiment (FIGS. 7-9) is identical to the end of the housing shown in FIG. 1.

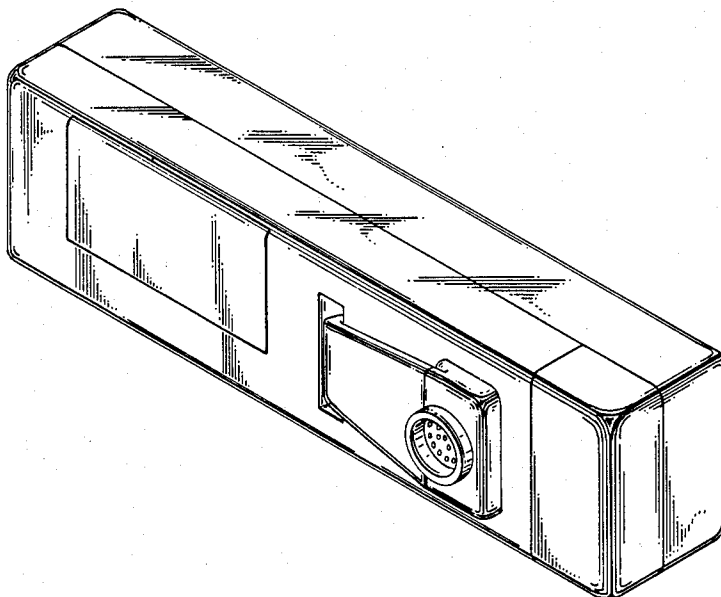
The end of the housing not shown in the fourth embodiment (FIGS. 10-12) is identical to the end of the housing shown in FIG. 7.

The bottom of the housing not shown in the first embodiment (FIGS. 1-3) is identical to the top of the housing shown in FIG. 3.

The bottom of the housing not shown in the second embodiment (FIGS. 4-6) is identical to the top of the housing shown in FIG. 6.

The bottom of the housing not shown in the third embodiment (FIGS. 7-9) is identical to the top of the housing shown in FIG. 9.

The bottom of the housing not shown in the fourth embodiment (FIGS. 10-12) is identical to the top of the housing shown in FIG. 12.



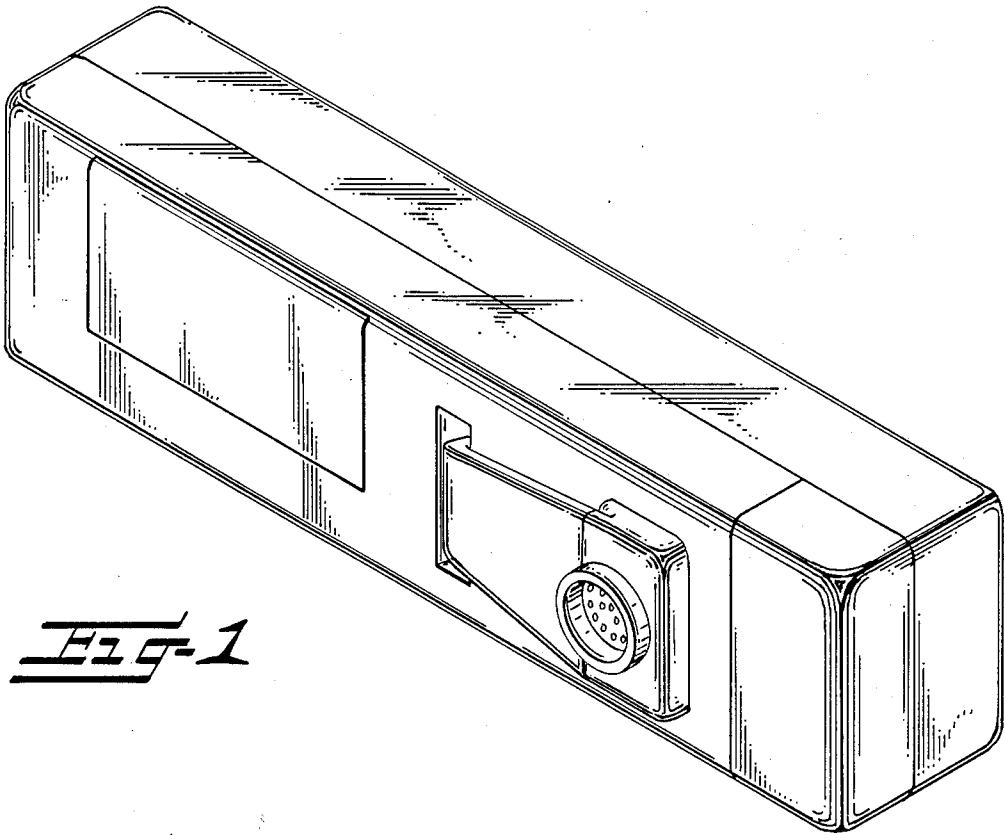


FIG-1

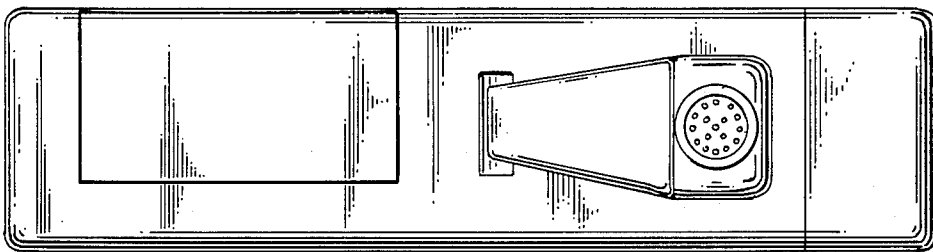


FIG-2

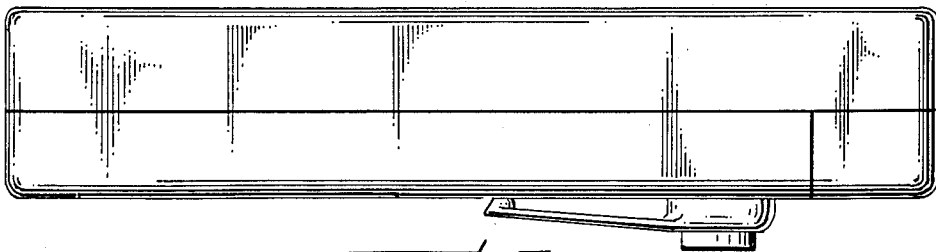


FIG-3

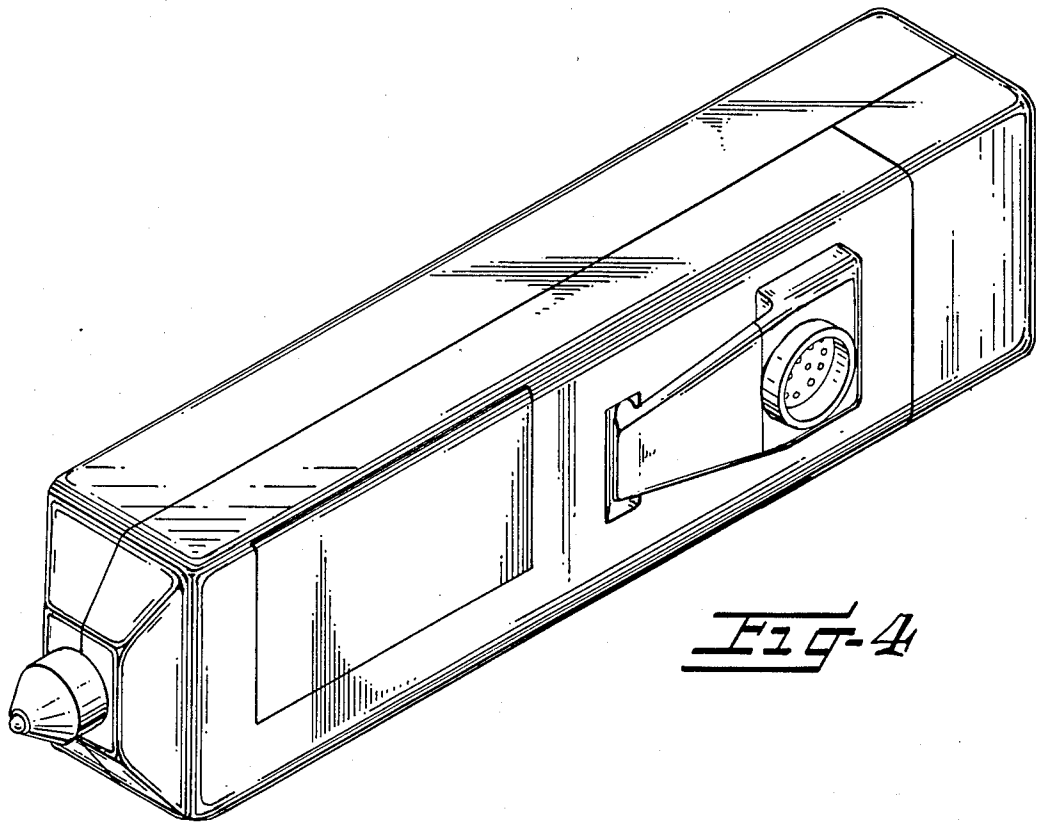


FIG-4

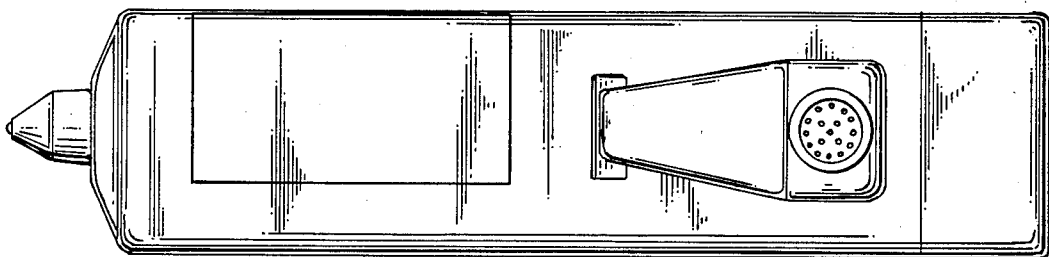


FIG-5

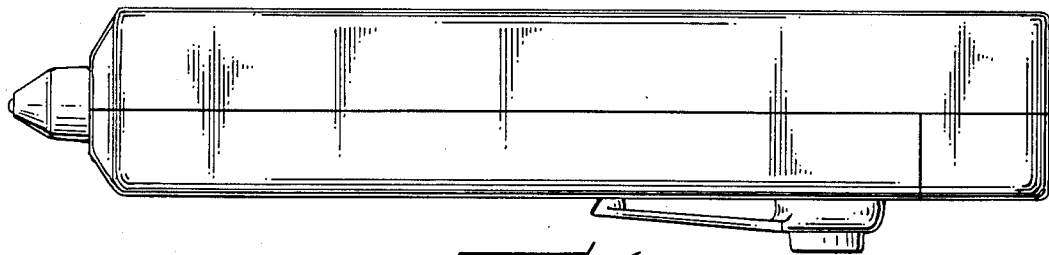


FIG-6

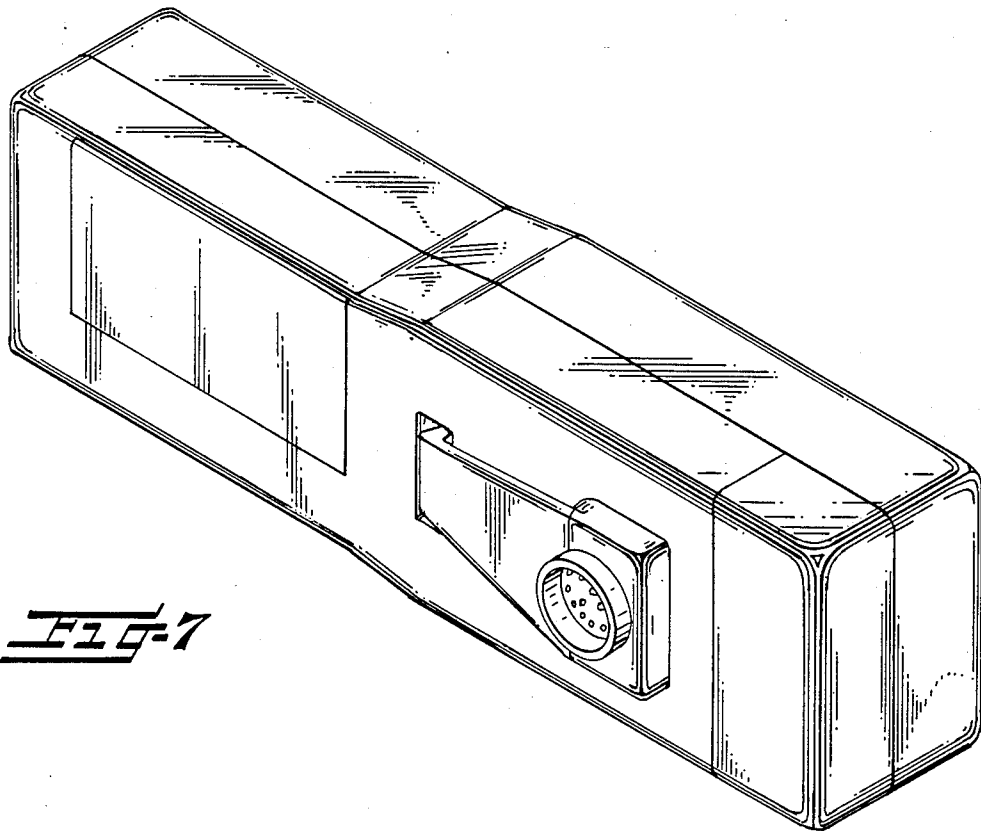


FIG-7

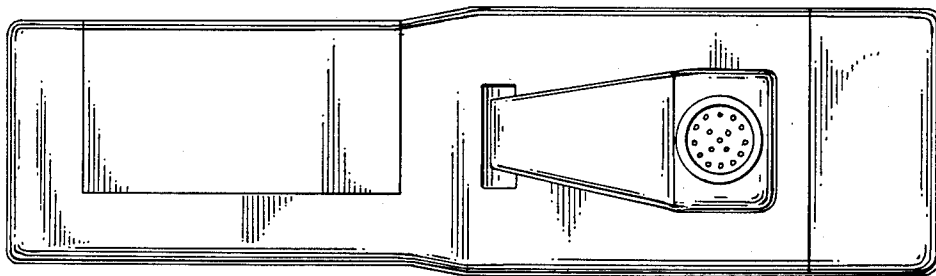


FIG-8

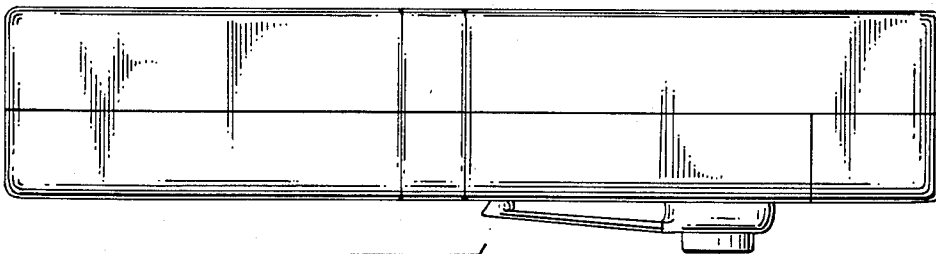


FIG-9

