



US00D725948S

(12) **United States Design Patent**
Kim et al.

(10) **Patent No.:** **US D725,948 S**

(45) **Date of Patent:** **** Apr. 7, 2015**

(54) **TABLE**

(71) Applicant: **LG Hausys, Ltd.**, Seoul (KR)

(72) Inventors: **Tae-Woo Kim**, Yongin-si (KR);
Keun-Tae Kim, Seoul (KR); **Han-Sung Choi**, Seoul (KR)

(73) Assignee: **LG Hausys, Ltd.**, Seoul (KR)

(**) Term: **14 Years**

(21) Appl. No.: **29/454,669**

(22) Filed: **May 13, 2013**

(30) **Foreign Application Priority Data**

Mar. 14, 2013 (KR) 30-2013-0012912

(51) **LOC (10) Cl.** **06-03**

(52) **U.S. Cl.**
USPC **D6/690; D6/691.8**

(58) **Field of Classification Search**
USPC D6/690, 691, 691.8, 691.9, 697;
108/153.1, 156, 157.1, 161, 157.14;
248/188, 188.1

See application file for complete search history.

(56) **References Cited**

U.S. PATENT DOCUMENTS

D306,243 S * 2/1990 Livi D6/485
D316,348 S * 4/1991 Livi D6/484
D462,204 S * 9/2002 Ross D6/485
D589,283 S * 3/2009 Stangdell D6/485

* cited by examiner

Primary Examiner — Janice Seeger

(74) *Attorney, Agent, or Firm* — Lowe Hauptman & Ham, LLP

(57) **CLAIM**

The ornamental design for a table, as shown and described.

DESCRIPTION

FIG. 1 is a perspective view of a table, showing our new design;

FIG. 2 is a front view showing the claimed design;

FIG. 3 is a rear view showing the claimed design;

FIG. 4 a left side view showing the claimed design;

FIG. 5 is a right side view showing the claimed design;

FIG. 6 is a top plan view showing the claimed design; and,

FIG. 7 is a bottom plan view showing the claimed design.

The claimed design is directed to a table comprising a leg portion and a horizontal supporter, whose features lie in the shape of the leg portion supporting the table and a face-shaped character represented on the front of the horizontal supporter constituting the legs of the table.

1 Claim, 5 Drawing Sheets

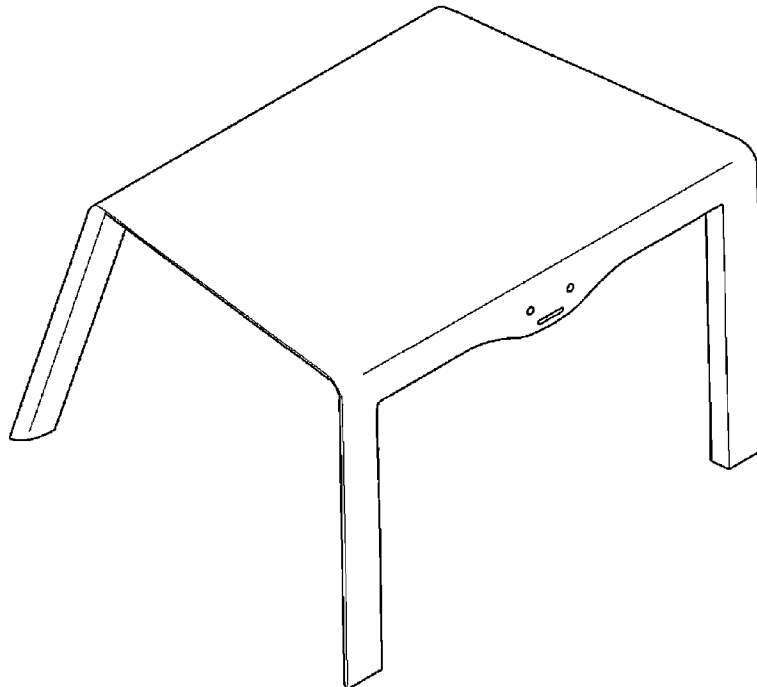


FIG. 1

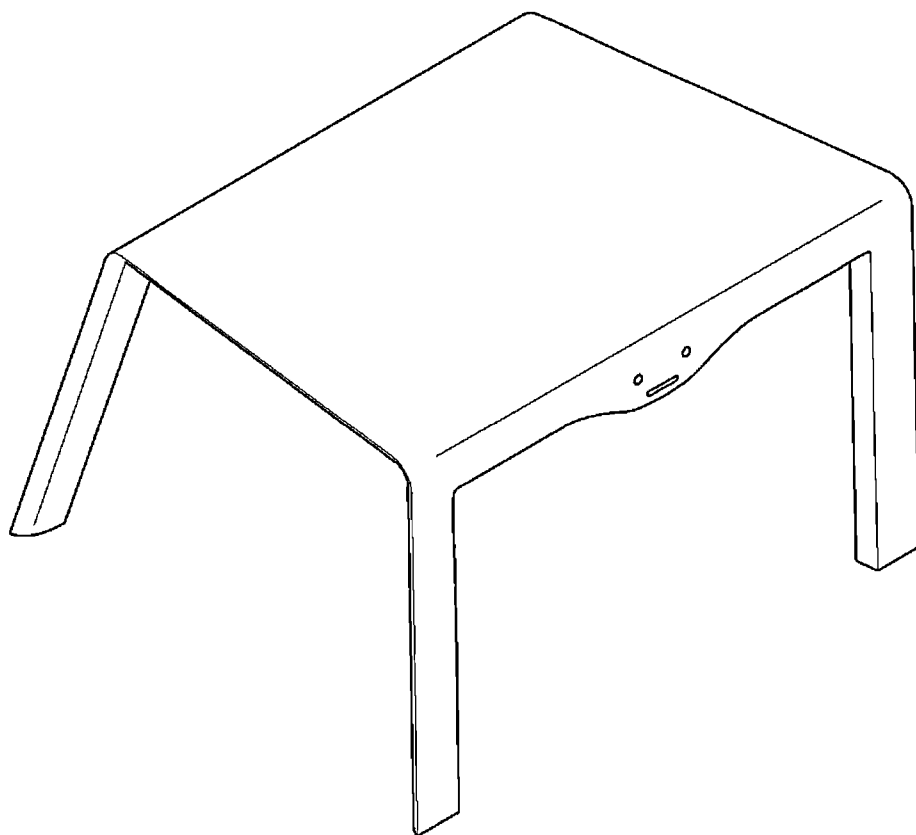


FIG. 2

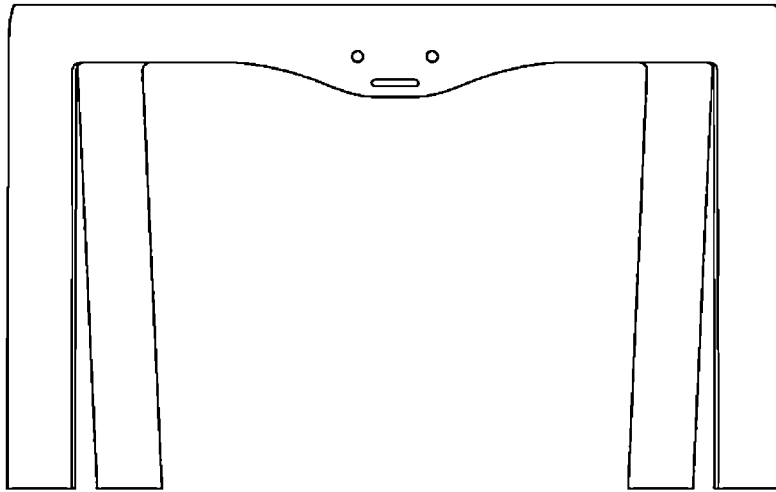


FIG. 3

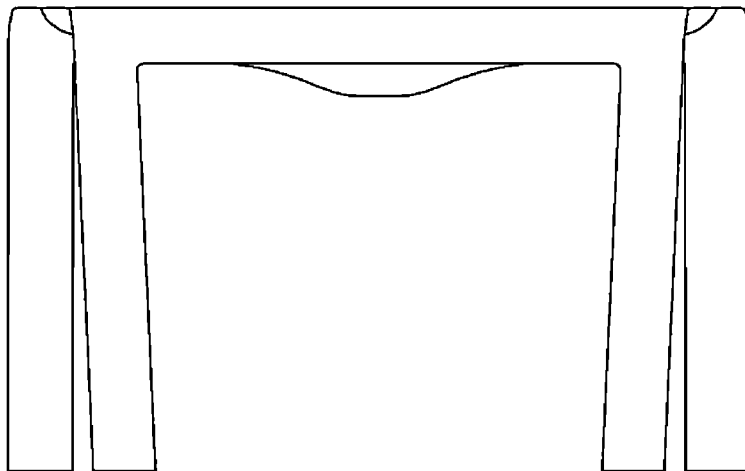


FIG. 4

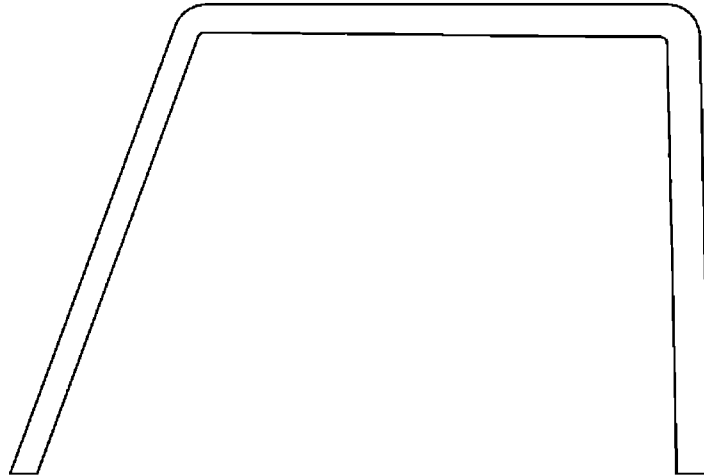


FIG. 5

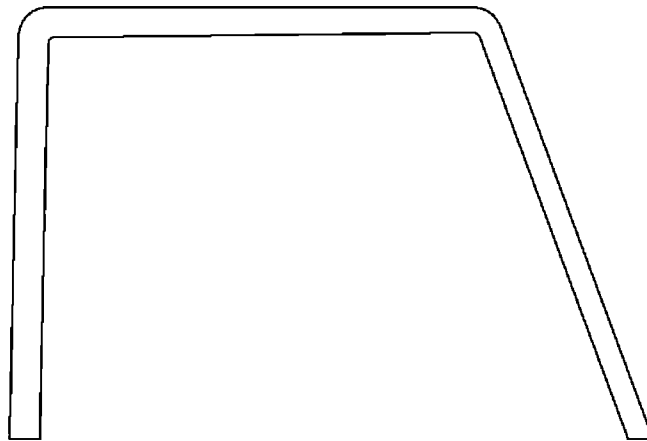


FIG. 6

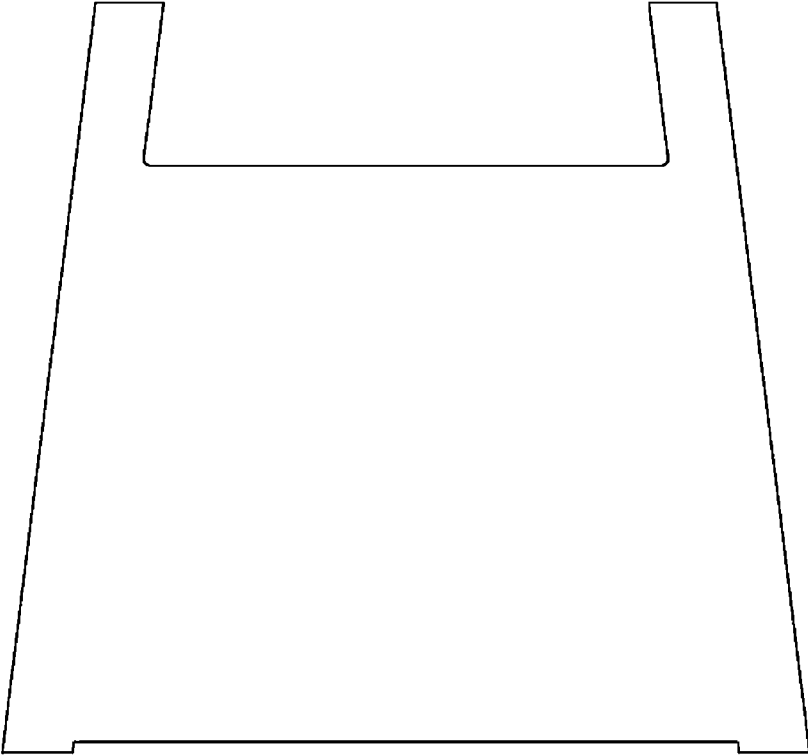


FIG. 7

