



(86) **Date de dépôt PCT/PCT Filing Date:** 2010/02/09
 (87) **Date publication PCT/PCT Publication Date:** 2010/08/19
 (45) **Date de délivrance/Issue Date:** 2015/10/13
 (85) **Entrée phase nationale/National Entry:** 2011/08/02
 (86) **N° demande PCT/PCT Application No.:** US 2010/023544
 (87) **N° publication PCT/PCT Publication No.:** 2010/093593
 (30) **Priorité/Priority:** 2009/02/11 (US61/151,712)

(51) **Cl.Int./Int.Cl. A61F 2/16** (2006.01)

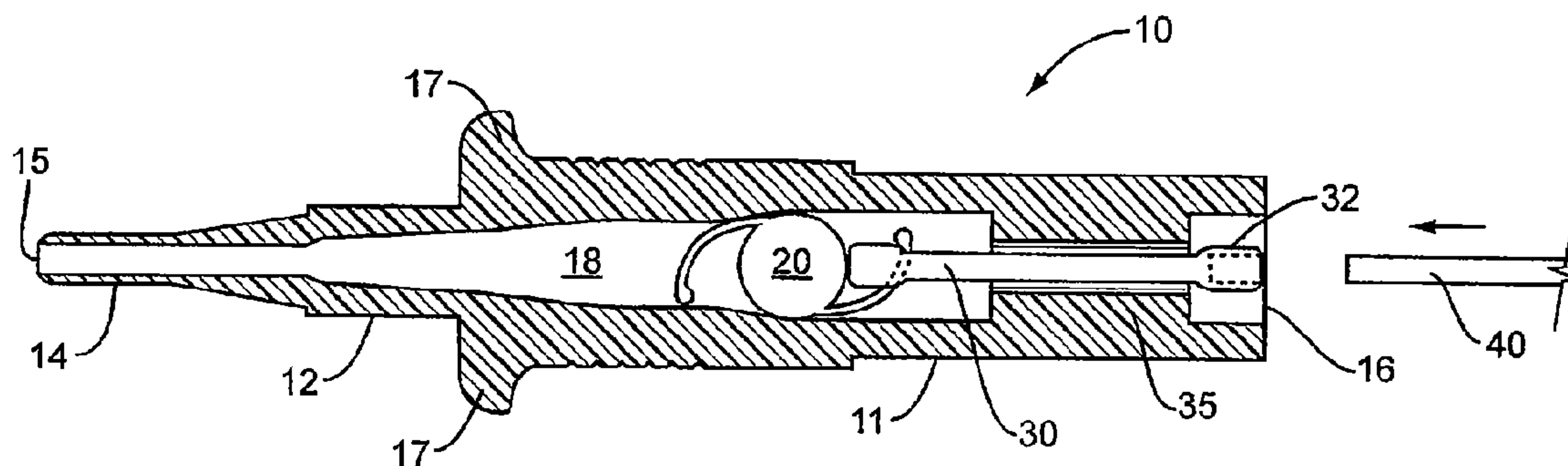
(72) **Inventeurs/Inventors:**
 BROWN, KYLE, US;
 DOWNER, DAVID A., US;
 MUCHHALA, SUSHANT, US;
 PROULX, MARSHALL K., US;
 VAN NOY, STEPHEN J., US;
 YAN, DENGZHU (DAN), US

(73) **Propriétaire/Owner:**
 ALCON RESEARCH, LTD., US

(74) **Agent:** KIRBY EADES GALE BAKER

(54) **Titre : DISPOSITIF AUTOMATISE D'INJECTION DE LENTILLE INTRAOCULAIRE**

(54) **Title: AUTOMATED INTRAOCULAR LENS INJECTOR DEVICE**



(57) **Abrégé/Abstract:**

An intraocular lens injector cartridge assembly contains a pre-loaded lens and an integral lens-contacting plunger rod. Configured for removably mating with an injector handpiece, the cartridge assembly is suitable for use with either manual or automated injector systems. The injector cartridge assembly includes a tubular body (11) having a longitudinal bore (18) extending between a distal end and a proximal end, an IOL disposed within said longitudinal bore (30), and a lens-contacting plunger rod retained within said bore, between the IOL and the proximal end of the tubular body. The lens-contacting plunger rod is configured for translation along the longitudinal bore upon engagement by an injector rod introduced by the injector handpiece into the proximal end of the tubular body, so that the IOL is folded and ejected from the distal end of the tubular body by the translation of the lens-contacting plunger rod.



(12) INTERNATIONAL APPLICATION PUBLISHED UNDER THE PATENT COOPERATION TREATY (PCT)

(19) World Intellectual Property Organization
International Bureau(43) International Publication Date
19 August 2010 (19.08.2010)(10) International Publication Number
WO 2010/093593 A1(51) International Patent Classification:
A61F 2/16 (2006.01)(21) International Application Number:
PCT/US2010/023544(22) International Filing Date:
9 February 2010 (09.02.2010)

(25) Filing Language: English

(26) Publication Language: English

(30) Priority Data:
61/151,712 11 February 2009 (11.02.2009) US(71) Applicant (for all designated States except US): **ALCON RESEARCH, LTD.** [US/US]; 6201 South Freeway, Fort Worth, Texas 76134 (US).

(72) Inventors; and

(75) Inventors/Applicants (for US only): **BROWN, Kyle** [US/US]; 5909 River Bend Drive, Fort Worth, Texas 76132 (US). **DOWNER, David A.** [US/US]; 5217 Spanish River Trail, Fort Worth, Texas 76137 (US). **MUCH-HALA, Sushant** [US/US]; 1009 Belmont Drive, Kennedale, Texas 76060 (US). **PROULX, Marshall K.** [US/US]; 532 Ivy Ct., Keller, Texas 76248 (US). **VAN NOY, Stephen J.** [US/US]; 810 Aberdeen Way, Southlake, Texas 76092 (US). **YAN, Dengzhu (Dan)** [US/US]; 4900 Thoroughbred Drive, Arlington, Texas 76017 (US).(74) Agents: **BASSINGER, Kenneth D.** et al.; 6201 South Freeway, TB4-8, Fort Worth, Texas 76134 (US).

(81) Designated States (unless otherwise indicated, for every kind of national protection available): AE, AG, AL, AM, AO, AT, AU, AZ, BA, BB, BG, BH, BR, BW, BY, BZ, CA, CH, CL, CN, CO, CR, CU, CZ, DE, DK, DM, DO, DZ, EC, EE, EG, ES, FI, GB, GD, GE, GH, GM, GT, HN, HR, HU, ID, IL, IN, IS, JP, KE, KG, KM, KN, KP, KR, KZ, LA, LC, LK, LR, LS, LT, LU, LY, MA, MD, ME, MG, MK, MN, MW, MX, MY, MZ, NA, NG, NI, NO, NZ, OM, PE, PG, PH, PL, PT, RO, RS, RU, SC, SD, SE, SG, SK, SL, SM, ST, SV, SY, TH, TJ, TM, TN, TR, TT, TZ, UA, UG, US, UZ, VC, VN, ZA, ZM, ZW.

(84) Designated States (unless otherwise indicated, for every kind of regional protection available): ARIPO (BW, GH, GM, KE, LS, MW, MZ, NA, SD, SL, SZ, TZ, UG, ZM, ZW), Eurasian (AM, AZ, BY, KG, KZ, MD, RU, TJ, TM), European (AT, BE, BG, CH, CY, CZ, DE, DK, EE, ES, FI, FR, GB, GR, HR, HU, IE, IS, IT, LT, LU, LV, MC, MK, MT, NL, NO, PL, PT, RO, SE, SI, SK, SM, TR), OAPI (BF, BJ, CF, CG, CI, CM, GA, GN, GQ, GW, ML, MR, NE, SN, TD, TG).

Published:

— with international search report (Art. 21(3))

(54) Title: AUTOMATED INTRAOCULAR LENS INJECTOR DEVICE

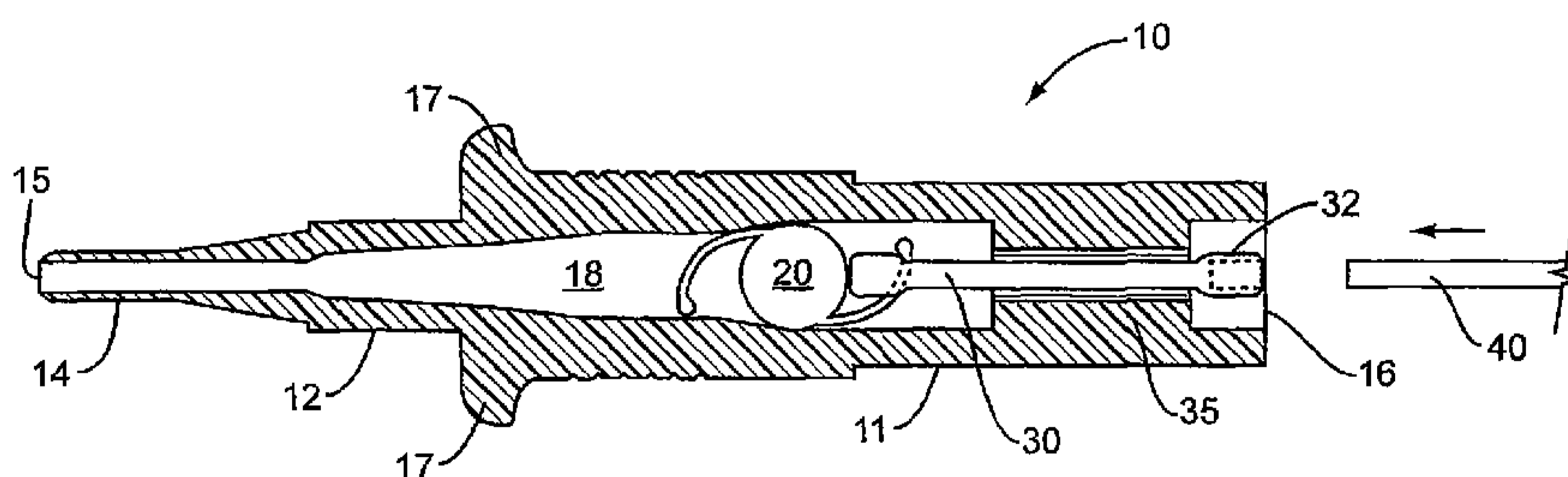


FIG. 3

(57) Abstract: An intraocular lens injector cartridge assembly contains a pre-loaded lens and an integral lens-contacting plunger rod. Configured for removably mating with an injector handpiece, the cartridge assembly is suitable for use with either manual or automated injector systems. The injector cartridge assembly includes a tubular body (11) having a longitudinal bore (18) extending between a distal end and a proximal end, an IOL disposed within said longitudinal bore (30), and a lens-contacting plunger rod retained within said bore, between the IOL and the proximal end of the tubular body. The lens-contacting plunger rod is configured for translation along the longitudinal bore upon engagement by an injector rod introduced by the injector handpiece into the proximal end of the tubular body, so that the IOL is folded and ejected from the distal end of the tubular body by the translation of the lens-contacting plunger rod.

WO 2010/093593 A1

5

AUTOMATED INTRAOCULAR LENS INJECTOR DEVICE**TECHNICAL FIELD**

10

The present invention relates generally to devices and techniques for delivering an intraocular lens (IOL) into an eye and more particularly to cartridges used for shipping and for injection of the IOLs.

15

BACKGROUND

The human eye functions to provide vision by transmitting light through a clear outer portion called the cornea, and focusing the image by way of a crystalline lens onto a retina. The quality of the focused image depends on many factors including the size and shape of the eye, and the transparency of the cornea and the lens. When age or disease causes the lens to become less transparent, vision deteriorates because of the diminished light which can be transmitted to the retina. This deficiency in the lens of the eye is medically known as a cataract. An accepted treatment for this condition is surgical removal of the lens and replacement of the lens function by an artificial intraocular lens (IOL).

In the United States, the majority of cataractous lenses are removed by a surgical technique called phacoemulsification. During this procedure, an opening is made in the anterior capsule and a thin phacoemulsification cutting tip is inserted into the diseased lens and vibrated ultrasonically. The vibrating cutting tip liquefies or emulsifies the lens so that the lens may be aspirated out of the eye. The diseased lens, once removed, is then replaced by the IOL.

The IOL is injected into the eye through the same small incision used to remove the diseased lens. An insertion cartridge of an IOL injector is loaded with the IOL, the tip of the insertion cartridge is inserted into the incision, and the lens is delivered into the eye.

Many IOLs manufactured today are made from a polymer with specific characteristics. These characteristics allow the lens to be folded for insertion through a very small incision; the lens unfolds into its proper shape after delivery into the eye. Injector cartridges that fold the lens and provide a relatively small diameter lumen through which the lens may be pushed into the eye, usually by a soft tip plunger, are commonly used. Some of these cartridges are described in U.S. Patent No. 5,947,976, issued September 7, 1999 to Van Noy *et al.*, and in U.S. Patent No. 6,537,283, issued March 25, 2003 to Van Noy. Other cartridges and injector devices are illustrated in U.S. Patent No. 4,681,102 (Bartell), U.S. Patent Nos. 5,494,484 and 5,499,987 (Feingold), U.S. Patent Nos. 5,616,148 and 5,620,450 (Eagles, *et al.*), U.S. Patent No. 5,275,604 (Rheinish, *et al.*), and U.S. Patent No. 5,653,715 (Reich, *et al.*). Notwithstanding the various designs disclosed in these documents, improvements in IOL injector cartridges and IOL injection techniques are still needed.

SUMMARY

Certain exemplary embodiments can provide an intraocular lens injector cartridge assembly configured for removably mating with an injector handpiece, the cartridge assembly comprising: a tubular body having a longitudinal bore extending between a distal end and a proximal end; an intraocular lens disposed within said longitudinal bore; a lens-contacting plunger rod retained substantially within said bore, between the intraocular lens and the proximal end of the tubular body, and configured for translation along the longitudinal bore upon engagement by an injector rod introduced by the injector handpiece into the proximal end of the tubular body, so that the intraocular lens is folded and ejected from the distal end of the tubular body by the translation of the lens-contacting plunger rod, and a plunger guide disposed within the longitudinal bore and at least partially surrounding the circumference of the lens-contacting plunger rod, wherein the plunger guide is adapted to retain the plunger rod within the cartridge assembly.

Other embodiments of an intraocular lens injector cartridge assembly containing a pre-loaded lens and an integral lens-contacting plunger rod are also disclosed. The cartridge assembly is configured for removably mating with an injector handpiece, and is thus suitable for use with either manual or automated injector systems. An exemplary embodiment of an intraocular lens injector cartridge assembly includes a tubular body having a longitudinal bore extending between a distal end and a proximal end, an intraocular lens disposed within said longitudinal bore, and a lens-contacting plunger rod retained substantially within said bore, between the intraocular lens and the proximal end of the tubular body. The lens-contacting plunger rod is configured for translation along the longitudinal bore upon engagement by an injector rod introduced by the injector handpiece into the proximal end of the tubular body, so that the intraocular lens is folded and

ejected from the distal end of the tubular body by the translation of the lens-contacting plunger rod. In some embodiments, the cartridge assembly comprises a plunger guide disposed within the longitudinal bore and at least partially surrounding the circumference of the lens-contacting plunger rod.

5 Various embodiments of the cartridge assembly may further include one or more grips protruding from the tubular body, for engagement with the injector handpiece. In some embodiments, the tubular body comprises an opening disposed on a first face of the tubular body for installing at least one of the
10 intraocular lens and the lens-contacting plunger rod, and a cover installed over said opening. The cover is connected to the tubular body by a hinge at one end of the cover, in some of these embodiments; in these and other embodiments the tubular body may comprise one or more retaining features proximate to the opening, so that the cover can be configured to snap fit into the one or more retaining features.

15 Of course, those skilled in the art will appreciate that the present invention is not limited to the above features, advantages, contexts or examples, and will recognize additional features and advantages upon reading the following detailed description and upon viewing the accompanying drawings.

BRIEF DESCRIPTION OF THE DRAWINGS

Figure 1 is a plan view of an exemplary disposable, pre-loaded, intraocular lens injector cartridge assembly.

5

Figure 2 is an elevation view of the cartridge assembly of Figure 1.

Figure 3 is a cross-sectional view of the cartridge assembly of Figure 1.

10

Figures 4A and 4B illustrate another exemplary IOL injector cartridge assembly.

Figures 5A and 5B illustrate the delivery of a lens from the injector cartridge according to some embodiments of the invention.

15

DETAILED DESCRIPTION

Many conventional intraocular lens (IOL) injector cartridges, including several of those described in the U.S. patents discussed above, are manually loaded with an IOL shortly before the injection procedure, and attached to an injector handpiece. The handpiece, which may be manually or electrically powered, includes a lens contacting plunger that is forced into and through the injector cartridge, folding the lens and ejecting the lens into the eye from the tip, or “distal” end, of the injector cartridge. In addition to the inconvenience and potential complications associated with loading the IOL, those skilled in the art will appreciate that another concern with these systems is that the lens contacting plunger must be carefully cleaned before reuse, to avoid contamination of the IOL.

Embodiments of the present invention include an intraocular lens injector cartridge assembly configured for removably mating with an injector handpiece. The cartridge assembly is pre-loaded with an intraocular lens, and has the flexibility to be attached to a manual or automated injector. The cartridge assembly includes a lens-contacting plunger rod built into the cartridge, so that a moveable rod from the handheld-injector device engages the lens-contacting plunger rod, which in turn advances and ejects the lens. Because the cartridge and lens contacting plunger are provided as a single, disposable unit, and because the rod of the re-usable injector device never makes contact with the IOL, the likelihood of contamination is reduced over that which might occur with reusable lens-contacting plungers.

As seen in the exemplary embodiment pictured in Figures 1-3, a disposable, pre-loaded, intraocular lens injector cartridge 10 includes a tubular body 11 with a longitudinal bore 18 therein. An intraocular lens 20 is pre-installed so that it is disposed within the longitudinal bore 18, along with a lens-contacting plunger 30. The lens-contacting plunger 30 is retained at least substantially within the longitudinal bore 18, between the intraocular lens and the proximal end 16 of the cartridge 10, and may include, in some embodiments, a socket 32 for mating with an injector rod 40 of the injector handpiece (not shown). When engaged by injector rod 40, which is introduced by the injector handpiece into the proximal end 16 of the cartridge, lens-contacting plunger 30 translates along the longitudinal bore 18, folding the intraocular lens 20 as it passes through the tapering portion 12 of the cartridge, and ejecting intraocular lens 20 into a patient's eye from the distal end 15 of the cartridge. As seen in Figure 3, the interior of the tubular body 11 may include a plunger guide feature 35 (which may be integrally formed with the tubular body, in some

embodiments, or a separately installed feature in others) to keep the lens-contacting plunger rod 30 properly oriented; the plunger guide feature 35 may also serve to retain the lens-contacting plunger rod 30 within the cartridge 10, such as by "trapping" the innermost end of the plunger rod 30 within the cartridge 10, or simply
5 by providing sufficient friction to keep the plunger rod 30 from easily falling out of the cartridge 10.

The tubular body 11 is generally formed from any material suitable for use in eye surgery, and in some embodiments may be molded, in one or several pieces,
10 from a suitable thermoplastic such as polypropylene. In some embodiments, the thermoplastic may contain a lubricity-enhancing agent such as those disclosed in U.S. Pat. No. 5,716,364. Nozzle 14 may be rounded, oval or elliptical in cross-section, in various embodiments, and may have a cross-sectional area as small as about one square millimeter at distal tip 15, so that the distal tip 15 may be inserted
15 into a very small incision in the eye. In the embodiment shown in Figures 1-3, cartridge 10 includes a pair of grips 17 protruding from the tubular body 11; these grips allow easier manipulation of cartridge 10 and provide a mechanism for engaging the injector handpiece so that the cartridge 10 may be locked into place. Those skilled in the art will appreciate that narrowing injector portion 11 may be
20 specially shaped to fold the intraocular lens 20 as it is pushed along the longitudinal bore 18 by lens-contacting plunger rod 30. A variety of suitable designs for the injector portion 11 are possible, including but not limited to those illustrated in U.S. Patent No. 5,947,976 (Van Noy *et al.*) and U.S. Patent No. 6,143,001 (Brown *et al.*).

25

As noted above, the tubular body 11 of the pre-loaded cartridge 10 may be formed in a single piece, in some embodiments. In such embodiments, the intraocular lens 20 and lens-contacting plunger rod 30 may be pre-installed in the
30 cartridge 10, from the cartridge's proximal end 16, by the cartridge's manufacturer prior to shipping the device. However, other embodiments, such as the embodiment of cartridge 10 pictured in Figures 4A and 4B, may include an opening 42 disposed on one face of the cartridge body 11, so that the intraocular lens 20 and lens-contacting plunger rod 30 may be more easily installed. After these components are
35 installed, the opening 42 may be closed by installing a cover 44 over the opening 42. In some embodiments, the cover 44 and tubular body 42 may be formed so that the cover 44 snaps into place; the cover 44 may form a hinged connection to the tubular body 11 at one end, in some embodiments. In other embodiments the cover 44 may

be glued or otherwise fused into place after the lens-contacting plunger rod 30 and/or intraocular lens 20 are installed.

5 Figures 5A and 5B illustrate the basic operation of some embodiments of the present operation. In Figure 5A, an injector rod 40 has been introduced by the injector handpiece into the proximal end 16 of the tubular body 11, so that it has mated with the socket 32 of the lens-contacting plunger rod 30. Further movement of the injector rod 40 causes the lens-contacting plunger rod 30 to engage the intraocular lens 20, which in some embodiments may be pre-installed in a slightly
10 pre-folded condition. In any case, additional folding occurs as lens 20 travels through the tapering portion 12 of the cartridge body, through the nozzle 14. Finally, the intraocular lens 20 is expressed into the eye from the distal tip 15 of nozzle 14, as shown in Figure 5B, where it unfolds into its natural shape.

15 Although details of the handpiece are not necessary for a full understanding of the present invention and are therefore not discussed in detail herein, those skilled in the art will appreciate that the cartridge assemblies described above are suitable for use with handpieces that include a manually activated injector rod, or with handpieces that include an electrically driven injector rod. Thus, IOL injector
20 cartridge assemblies designed according to the concepts disclosed herein may, in some embodiments, be compatible with both sorts of handpiece. Those skilled in the art will appreciate that a further advantage of providing the cartridge, lens, and lens-contacting plunger as a single unit is the ability to dispose of the plunger after a single use, thereby reducing the likelihood of contamination that might be seen on
25 reusable lens plungers.

 The preceding description of various embodiments of an intraocular lens injection cartridge assembly and methods for using such a device was given for purposes of illustration and example. Those skilled in the art will appreciate, of
30 course, that the present invention may be carried out in other ways than those specifically set forth herein without departing from essential characteristics of the invention. The present embodiments are thus to be considered in all respects as illustrative and not restrictive, and all changes coming within the meaning and equivalency range of the appended claims are intended to be embraced therein.

CLAIMS

1. An intraocular lens injector cartridge assembly configured for removably mating with an injector handpiece, the cartridge assembly comprising:
 - 5 a tubular body having a longitudinal bore extending between a distal end and a proximal end;
 - an intraocular lens disposed within said longitudinal bore;
 - a lens-contacting plunger rod retained substantially within said bore, between the intraocular lens and the proximal end of the tubular body, and
 - 10 configured for translation along the longitudinal bore upon engagement by an injector rod introduced by the injector handpiece into the proximal end of the tubular body, so that the intraocular lens is folded and ejected from the distal end of the tubular body by the translation of the lens-contacting plunger rod, and
 - a plunger guide disposed within the longitudinal bore and at least partially
 - 15 surrounding the circumference of the lens-contacting plunger rod, wherein the plunger guide is adapted to retain the plunger rod within the cartridge assembly.
2. The cartridge assembly of claim 1, further comprising one or more grips protruding from the tubular body, for engagement with the injector handpiece.
3. The cartridge assembly of claim 1, wherein the tubular body comprises an
- 20 opening disposed on a first face of the tubular body for installing at least one of the intraocular lens and the lens-contacting plunger rod, and a cover installed over said opening.
4. The cartridge assembly of claim 3, wherein the cover is connected to the tubular body by a hinge at one end of the cover.
- 25 5. The cartridge assembly of claim 3, wherein the tubular body comprises one or more retaining features proximate to the opening, and wherein the cover is configured to snap fit into the one or more retaining features.

6. The cartridge assembly of claim 1, wherein the plunger rod comprises an enlarged distal portion, wherein the plunger guide defines a passage, wherein a size of the enlarged distal portion of the plunger rod is larger than a size of the passage, and wherein the enlarged distal portion is disposed distally of the
5 passage such that the plunger rod is retained within the longitudinal bore.

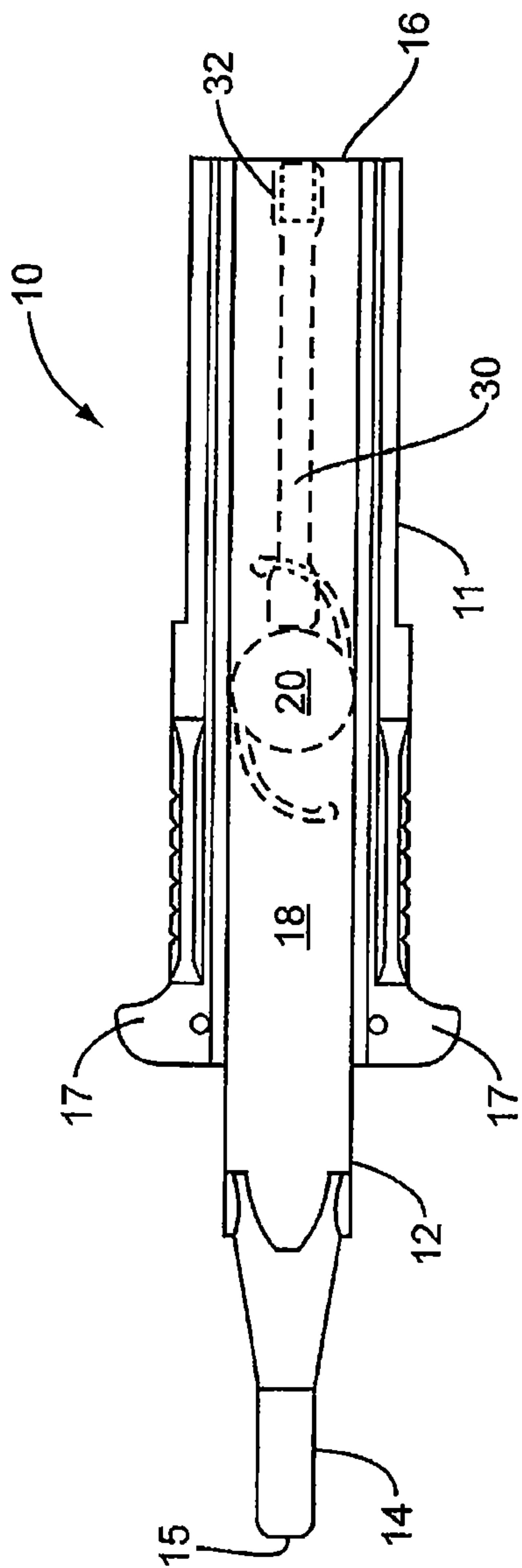


FIG. 1

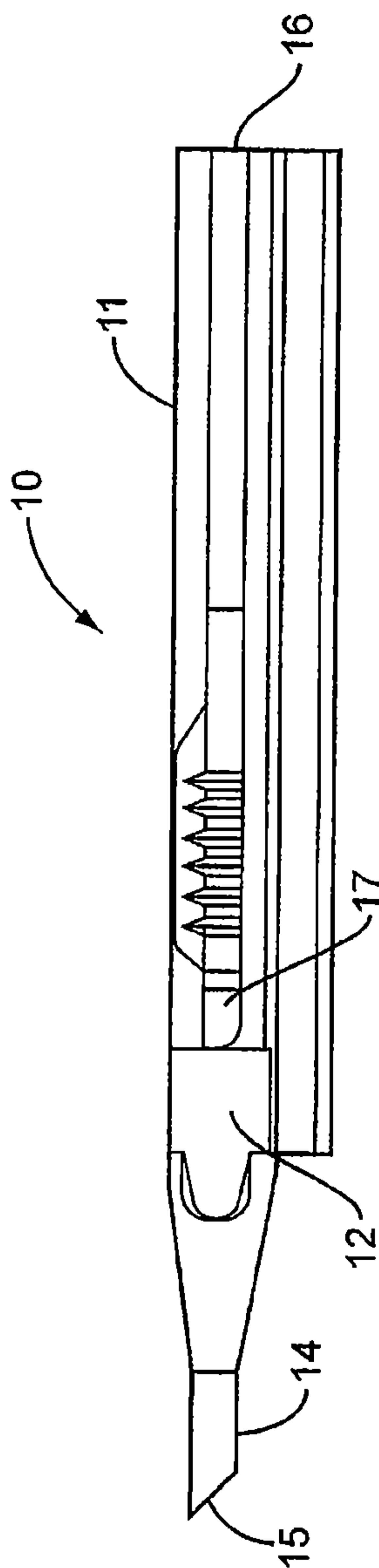


FIG. 2

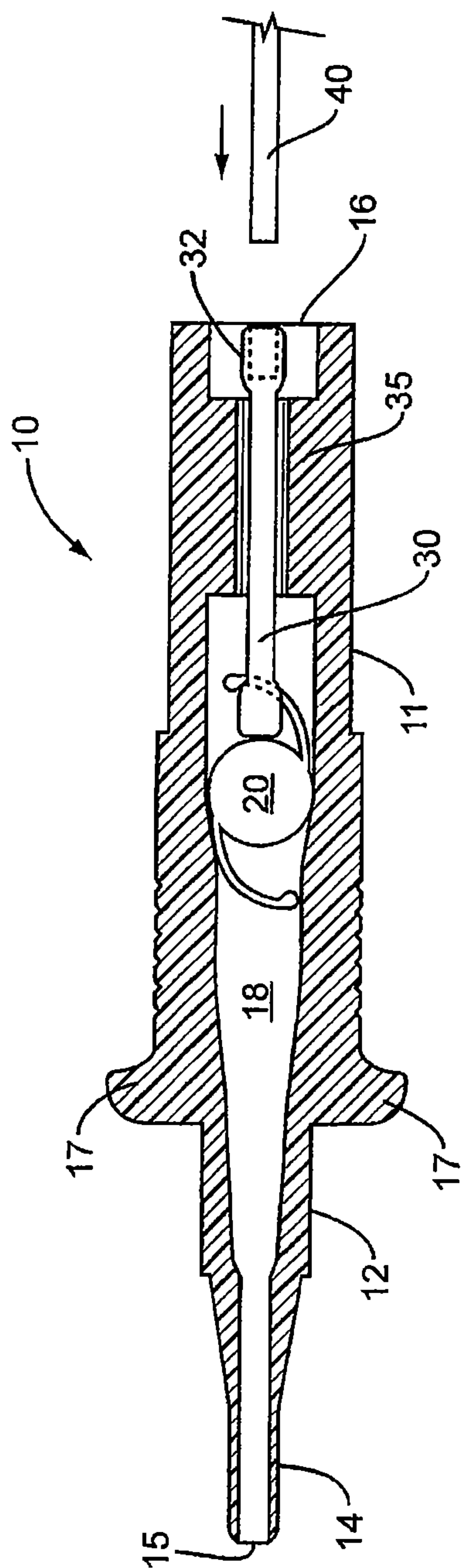


FIG. 3

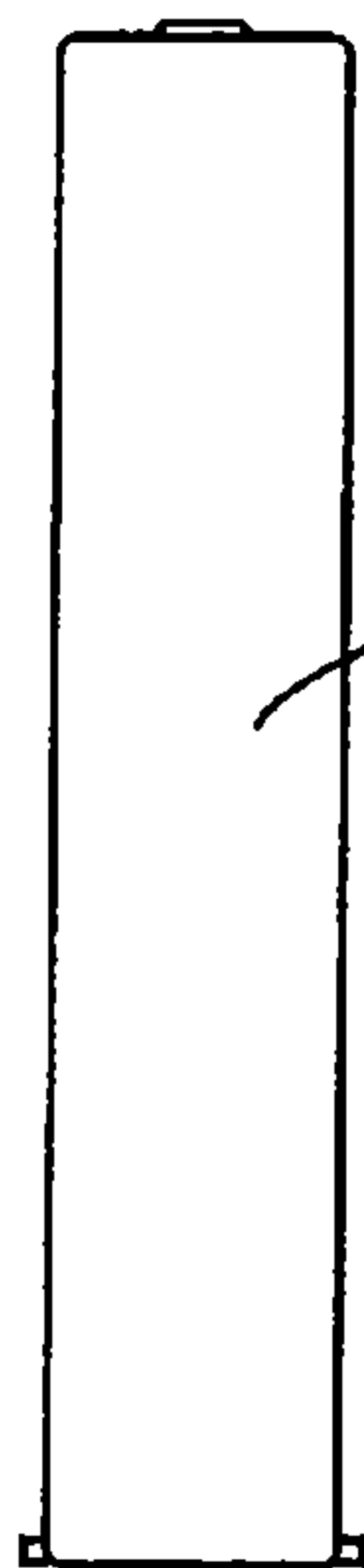
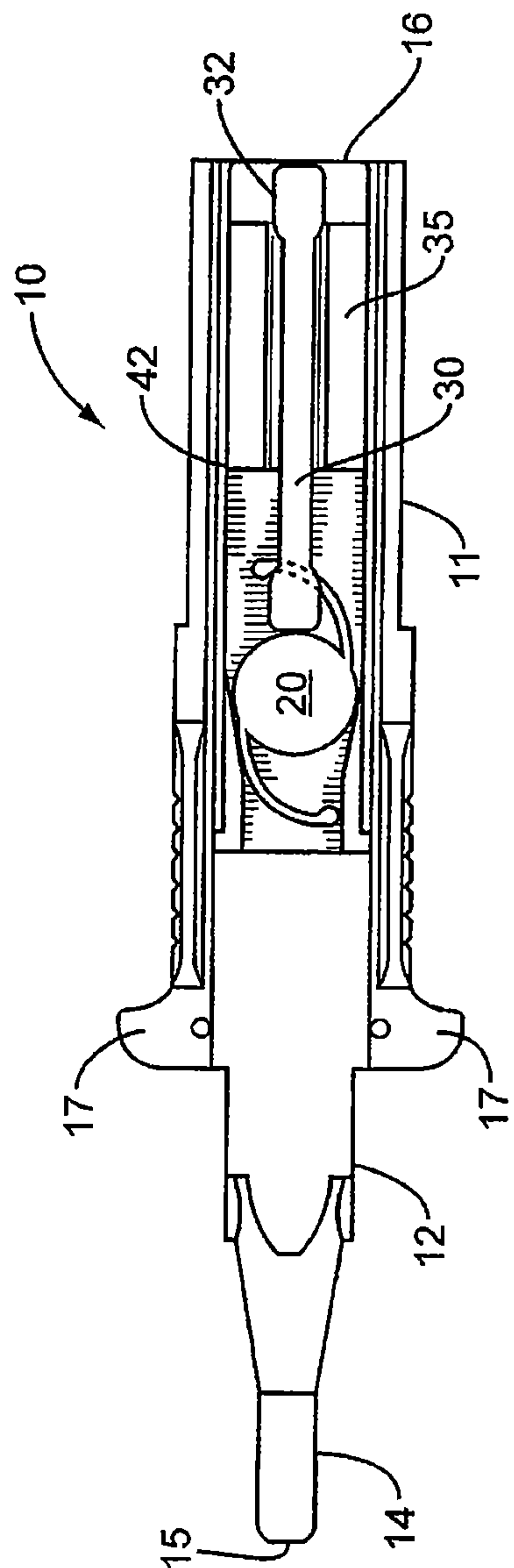


FIG. 4A

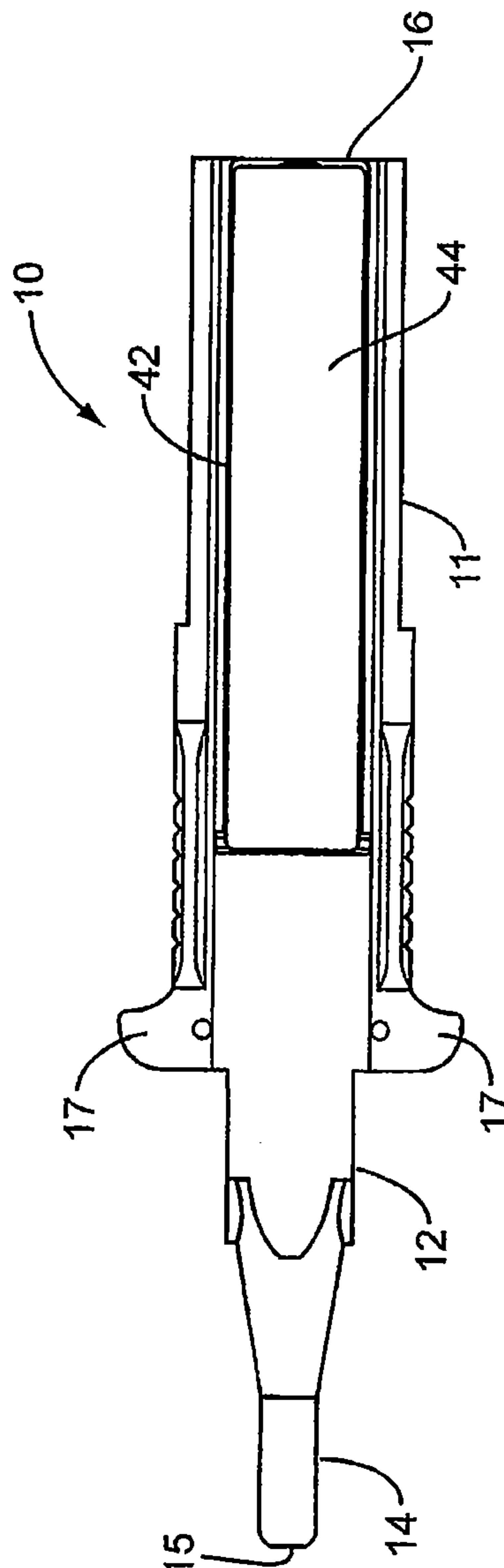


FIG. 4B

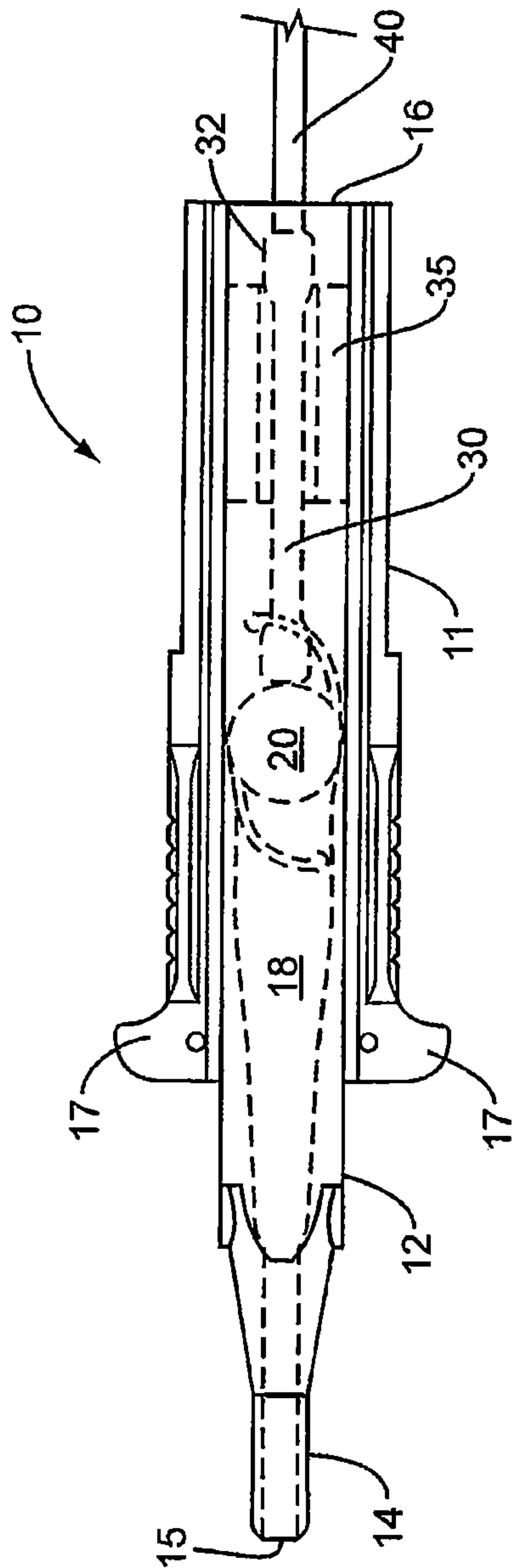


FIG. 5A

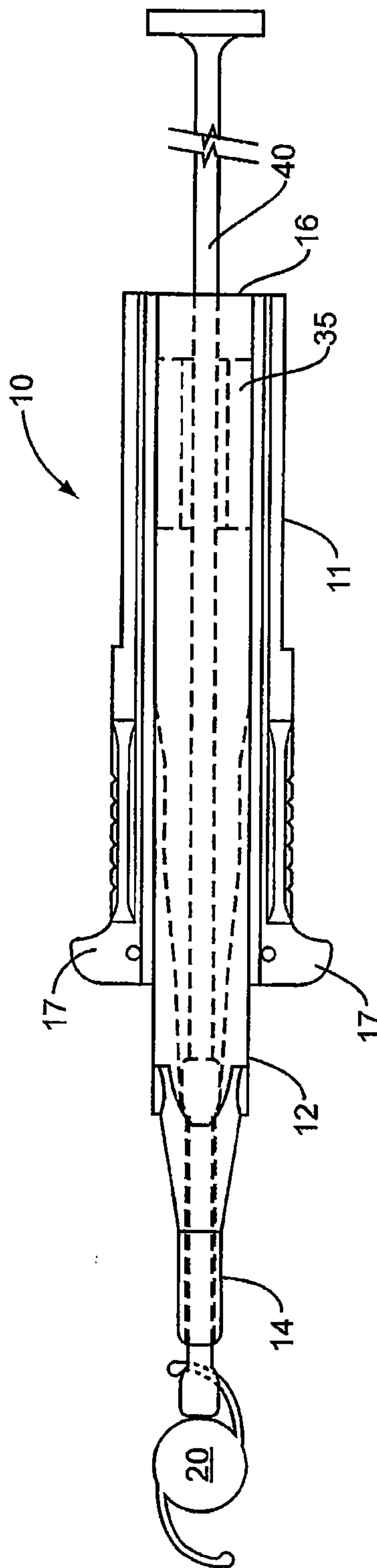


FIG. 5B

